

RJ Series

DC Power Jack With Rocker Switches



SPECIFICATIONS

ELECTRICAL RATING : DC 15V 5A

DC 15V 2.5A for 1.65mm pin

CONTACT RESISTANCE : 20 mΩ (initial)

INSULATION RESISTANCE : > 1000 MΩ

(500VDC between open contacts)

DIELECTRIC STRENGTH : > 1500V@ 1 minute

ELECTRICAL LIFE : 6,000 cycles

TEMPERATURE RISE AT THE TERMINAL : Max.30°C

SOLDER ABILITY OF TERMINAL : Max 350°C,3S (no pressure may be placed in the terminals when soldering by hand)

Any Cd Pb Hg etc and it's compounds is not include in this product

MATERIALS

CASE&HOUSING: Glass filled Nylon 6/6,black.

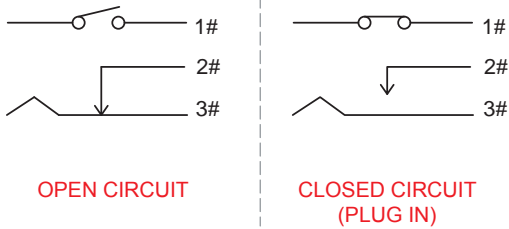
ACTUATOR : Glass filled Nylon 6/6,Black.

CONTACT : Copper alloy,silver plated.

TERMINALS : Copper alloy,silver plated.

PIN : Brass,nickel plated.

SCHEMATIC

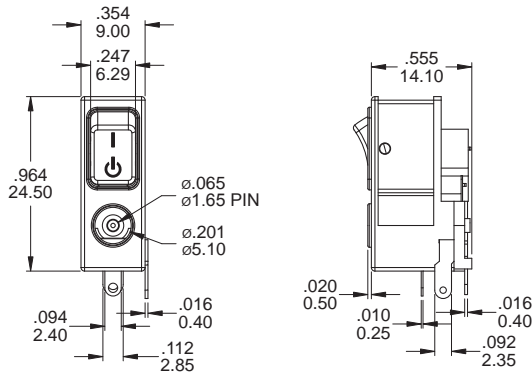


MODEL OPTIONS

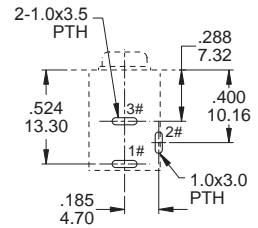


SPST

Part No. Shown : RJ-001



P.C. MOUNTING

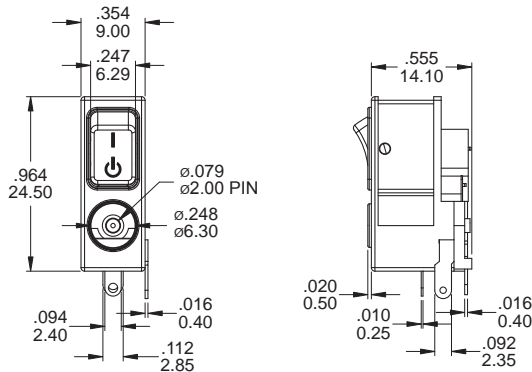


BOTTOM VIEW

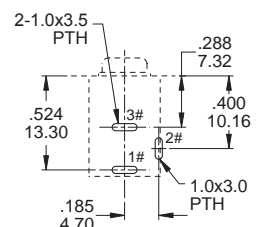


SPST

Part No. Shown : RJ-002



P.C. MOUNTING

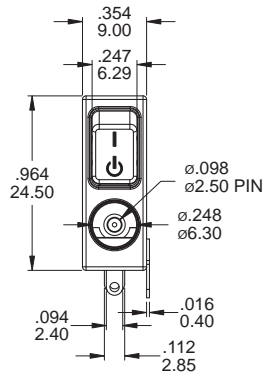


BOTTOM VIEW

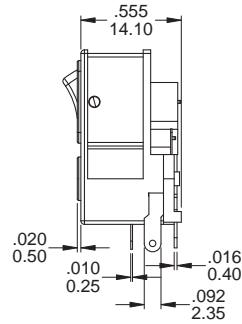
RJ DC Power Jack Switches



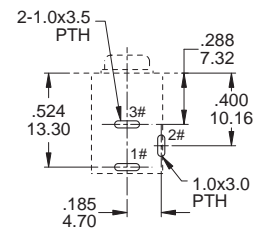
SPST



Part No. Shown : RJ-003



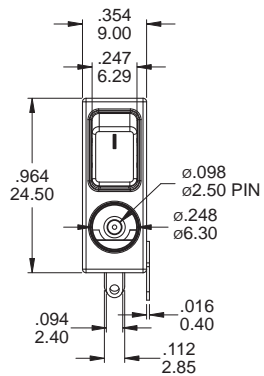
P.C. MOUNTING



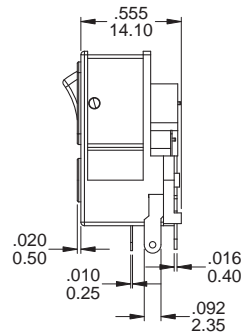
BOTTOM VIEW



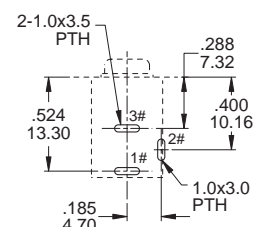
SPST



Part No. Shown : RJ-004



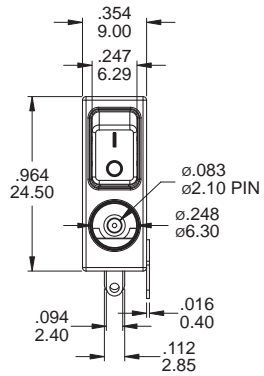
P.C. MOUNTING



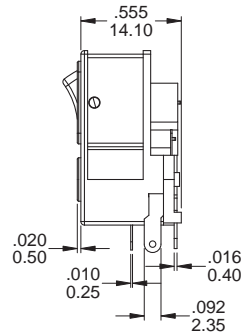
BOTTOM VIEW



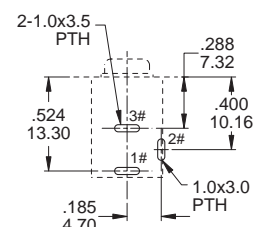
SPST



Part No. Shown : RJ-005



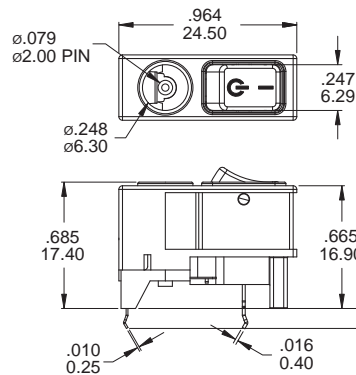
P.C. MOUNTING



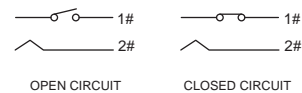
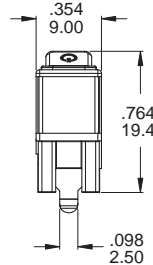
BOTTOM VIEW



SPST

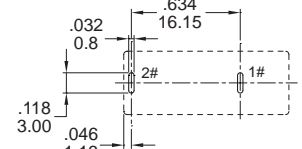


Part No. Shown : RJ-009



SCHEMATIC

P.C. MOUNTING



BOTTOM VIEW



RJ
DC Power Jack Switches

X-ON Electronics

Largest Supplier of Electrical and Electronic Components

Click to view similar products for [Multi-Directional Switches](#) category:

Click to view products by [Dailywell](#) manufacturer:

Other Similar products are found below :

[SRBE210100](#) [T4-TCJ3332](#) [T5-NH1118](#) [RKJXW1014002](#) [T4-TCK3312](#) [MJTP1140AAUTR](#) [MJTP1138DTB](#) [3J2115-200N](#) [T2-0018](#) [T2-MC2112](#) [T5-CK2212](#) [PHAP4383V](#) [3J2015-200N](#) [CS41001E](#) [EVQ-Q3AA15](#) [SRBD170401](#) [T4-0010](#) [1.20.126.514/0000](#) [5D001-BKKKKKAWXWXWXWX-W200](#) [SRBD150201](#) [T8-CM111N](#) [T4-CN211N](#) [T4-CD2212](#) [T1-CB2112](#) [RKJXK122000D](#) [RKJXK122400Y](#) [RKJXL100401V](#) [RKJXM2E13001](#) [RKJXM2E13004](#) [RKJXS1004001](#) [RKJXT1F42001](#) [RKJXV1224005](#) [RKJXY100000A](#) [SKRHAAE010](#) [SKRHABE010](#) [SKRHACE010](#) [SKRHADE010](#) [SKSDPCE010](#) [SKSKPBE010](#) [SLLB120100](#) [SLLB120300](#) [SLLB310500](#) [SLLB510100](#) [SLLB510200](#) [SLLB520100](#) [SLLQ110100](#) [SLLQ120100](#) [SPVT110102](#) [SPVT210101](#) [SRBD110401](#)