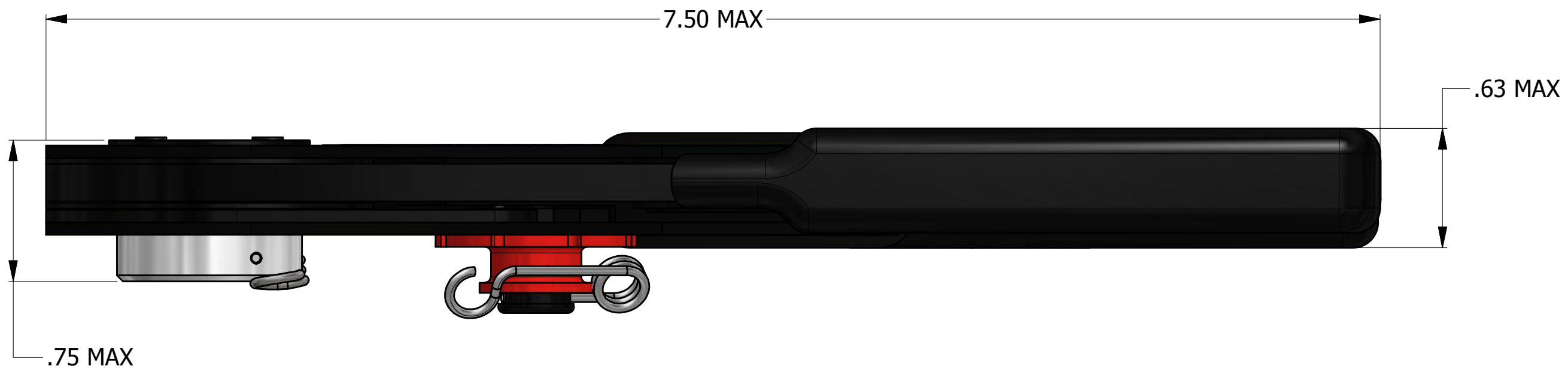
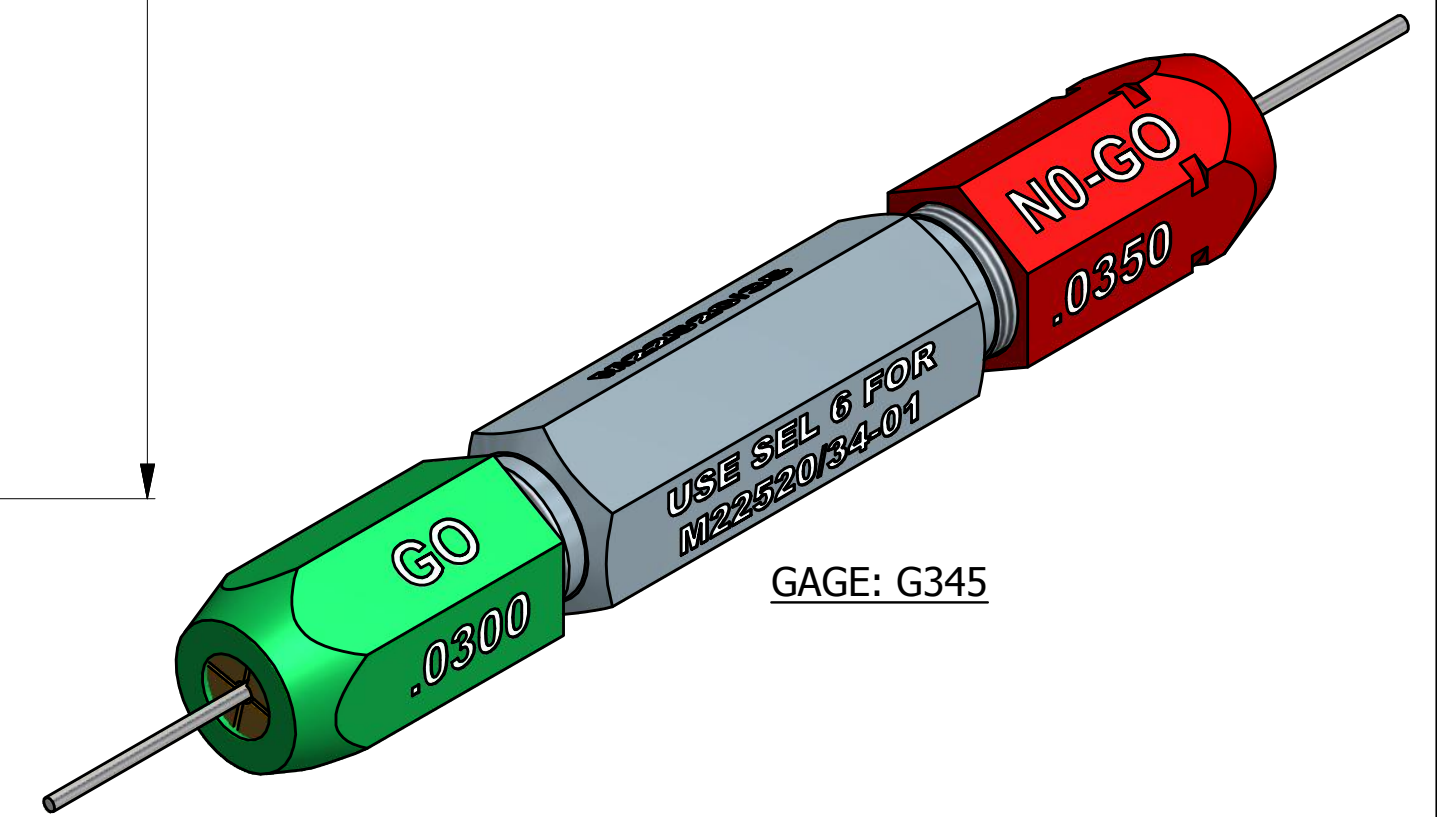


REVISIONS						
REV	ECO NO.	DESCRIPTION	BY	DATE	APP'D BY	DATE
1		ORIGINAL RELEASE	DUNG CAO	8/18/1995	DE	8/18/1995
2	23612	UPDATED AND ADDED GAGE	TD	12/1/2014		



GAGING LIMITS OF INDENTERS		
SEL NO	INSPECTION GAGE	
	Ø GO ±.0001	Ø NO-GO ±.0001
5	.0260	.0310
6	.0300	.0350
7	.0340	.0390
8	.0390	.0440

CHECK WITH GAGE: G345 SEL #6



**UNCONTROLLED DOCUMENT  
WILL NOT BE UPDATED**  
DIMENSIONS IN INCHES - UNLESS OTHERWISE SPECIFIED

**RESTRICTED & CONFIDENTIAL**  
CONFIDENTIAL PROPERTY OF DANIELS MANUFACTURING CORP. NOT TO BE DISCLOSED TO OTHERS. REPRODUCTION OR USED FOR ANY OTHER PURPOSE EXCEPT AS AUTHORIZED IN WRITING BY DANIELS MANUFACTURING. MUST BE RETURNED TO DANIELS MANUFACTURING CORP. ON COMPLETION OF ORDER OR PURPOSES FOR WHICH LENT.  
CREATED FROM AN INVENTOR MODEL. CHANGES MUST BE REFLECTED IN THE 3D PART  
DO NOT SCALE DRAWING

MATERIAL	ITEM	PART NO.	QTY.	DESCRIPTION / REMARKS
N/A	DRN. DUNG CAO CHK'D. DE	DATE 8/18/1995 DATE 8/18/1995		<b>DMC</b> DANIELS MANUFACTURING CORP. ORLANDO, FLORIDA CAGE 11851
HEAT TREAT N/A	NOTE: THIS DRAWING IS AN OUTLINE DRAWING OF THE RESPECTIVE DMC PART NUMBER INDICATED. ACTUAL DMC PART NUMBER IS CAD PART NUMBER WITHOUT THE "-ENV" SUFFIX		TITLE CRIMP TOOL (M22520/34-01) ENVELOPE DRAWING	
FINISH N/A	WHERE USED:	SIZE C	SCALE 1.75X	CAD P/N 39-000-ENV DWG. NO. 39-000
				SHEET 1 OF 1 REV. 2

## **X-ON Electronics**

Largest Supplier of Electrical and Electronic Components

*Click to view similar products for [daniels manufacturer](#):*

Other Similar products are found below :

[M81969/17-03](#) [M81969/17-09](#) [DAK20B](#) [DAK83S-20](#) [DRK20A](#) [TH452](#) [BT-J-130](#) [M81969/8-03 REV B](#) [TH70-1](#) [DRK230](#) [359-0697-020](#)  
[DRK100-1](#) [MS24256A20](#) [M22520/5-01](#) [K13-1](#) [Y143](#) [MS24256R20](#) [DAK20](#) [BT-SJ-468-1](#) [BT-J-133](#) [M22520/4-01](#) [GS100-1](#) [MH-860](#)  
[M300BT](#) [DAK95-22MB](#) [DRK95-20S](#) [M81969/8 01](#) [AF8](#) [DRK145](#) [AIC4EXT](#) [DBS-128-1](#) [M22520/5-105](#) [M85049/128-1](#) [M81969/17-04](#)  
[REV A](#) [Y631](#) [DAK16A](#) [DAK282](#) [GMT232](#) [M22520/2-02](#) [M22520/2-13](#) [DRK95-16](#) [K338](#) [DRK12B](#) [M81969/8-08](#) [AF8-DAN](#) [M22520/2-](#)  
[06](#) [TH29-1](#) [DAK168-12](#) [DRK38](#) [M81969/8-07](#)