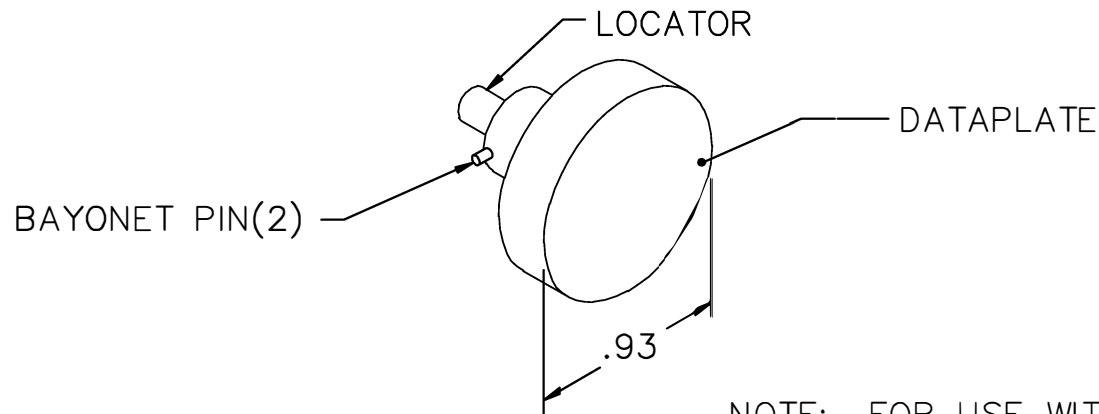
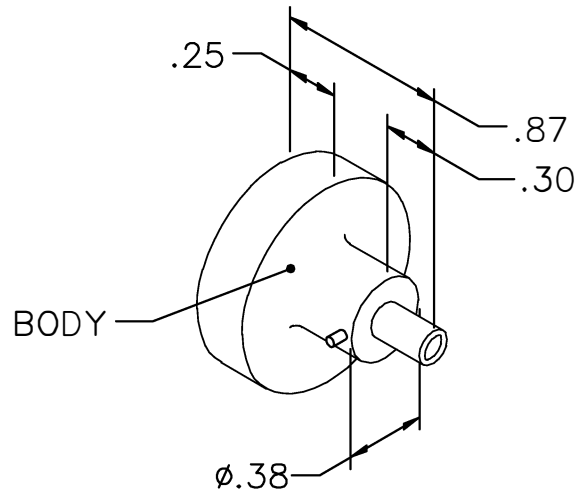


| REVISIONS | | | | |
|-----------|---------------|------------------|---------------------|---------------|
| REV. SYM. | E.C.O. NUMBER | DESCRIPTION | BY DATE | APP'D DATE |
| 1 | | ORIGINAL RELEASE | DUNG CAO 8-18-95 | DD 8-18-95 |

**UNCONTROLLED DOCUMENT
WILL NOT BE UPDATED**



USE WITH CONTACTS

| WIRE | 22 | 24 | 26 | 28 |
|-----------|----|----|----|----|
| -22 SEL. | 3 | 2 | 1 | |
| -22M SEL. | | 3 | 2 | 1 |
| -22D SEL. | 3 | 2 | 1 | 1 |

MS27493-22, -22M, -22D
MS27494-22, -22M, -22D
M24308/13-1

NOTE: FOR USE WITH DANIELS MH860 CRIMP TOOL.

| LOCATOR | |
|----------------------------------|---------------------------------------|
| HOLE DIMENSIONS | ADDITIONAL FEATURES |
| ϕ .033 ∇ .69 MIN. | \sqcap ϕ .078 ∇ .095 |

RESTRICTED & CONFIDENTIAL

CONFIDENTIAL PROPERTY OF DANIELS MANUFACTURING CORP. NOT TO BE DISCLOSED TO OTHERS, REPRODUCED OR USED FOR ANY OTHER PURPOSE, EXCEPT AS AUTHORIZED IN WRITING BY DANIELS MANUFACTURING. MUST BE RETURNED TO DANIELS MANUFACTURING CORP. ON COMPLETION OF ORDER OR OTHER PURPOSE FOR WHICH LENT.

DO NOT SCALE DRAWING

| | |
|---------------|--------------|
| DRN. DUNG CAO | DATE 8-18-95 |
| CHK'D. DD | DATE 8-18-95 |
| APP'D. | DATE |
| APP'D. | DATE |

NOTE:
THIS DRAWING IS AN OUTLINE DRAWING OF THE RESPECTIVE DMC PART NUMBER INDICATED. ACTUAL DMC PART NUMBER IS DRAWING NUMBER WITHOUT THE "-ENV" SUFFIX.

DANIELS MANUFACTURING CORP.
ORLANDO, FLORIDA
CAGE 11851

TITLE
ENVELOPE DRAWING
POSITIONER (M22520/7-07)

WHERE USED: MH860

| | | | |
|---------|-----------|-------------------|--------------|
| SIZE A | SCALE NTS | CAD P/N 86-6-ENV | SHEET 1 OF 1 |
| POSTING | | DWG. NO. 86-6-ENV | REV. 1 |

X-ON Electronics

Largest Supplier of Electrical and Electronic Components

Click to view similar products for [Circular MIL Spec Connector](#) category:

Click to view products by [Daniels](#) manufacturer:

Other Similar products are found below :

[89075GULPR](#) [0025-262-542](#) [0025-264-3014](#) [58-570121-04S](#) [0134-213-1208](#) [0134-213-2209](#) [0025-258-000](#) [60-042022-07P](#) [60-042022-19P](#)
[60-042022-23P](#) [60-042217-10P](#) [0114-201-1278](#) [012-0467-000](#) [602GB06EG24-61SN](#) [0134-201-1207](#) [0134-213-1006](#) [6104-207-2302](#) [6104-](#)
[208-1902](#) [61-168211-04P](#) [61-168617-10P](#) [6131-202-19149P](#) [6131-204-21149P](#) [6131-208-13149P](#) [6131-209-17149P](#) [6131-210-11149P](#) [6131-](#)
[211-19149P](#) [6131-216-19149P](#) [6131-259-21149P](#) [6131-259-23149P](#) [6131-265-17149P](#) [6131-265-19149P](#) [CS3100A18-1P-472](#) [CS3100A-36-](#)
[77P](#) [CS3101A-16-55P](#) [CS3102A-10SL-55P](#) [CS3102A-14S-58P](#) [CS3102A-32-17P](#) [CS3102A32-25S](#) [CS3102C18-4P-472](#)
[CS3106A10SL3S004](#) [CS3106A-18-73S](#) [CS3108A-14S-52S](#) [CS3108A-28-51S](#) [6162-233-1277](#) [6162-324-1231](#) [M243082296Z](#)
[M2884010AC1S1](#) [CT0-24-10SC](#) [CT0M20-7PCAU](#) [M28840/17AC1G3](#)