

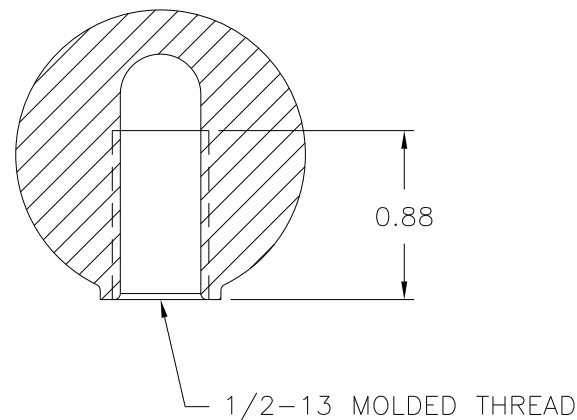
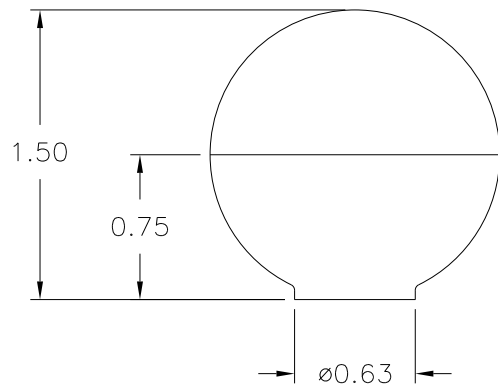
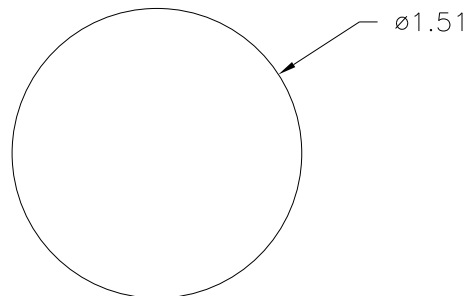
PART NAME: BALL KNOB    SCALE: 1:1    DATE: 10/28/48    DR. BY JWC

THIS DRAWING IS THE PROPERTY OF DAVIES MOLDING COMPANY, IS SUBMITTED SOLELY AS A DESIGN OR ENGINEERING PROJECT. WE ACCEPT NO RESPONSIBILITY WHATSOEVER FOR THE PRACTICAL APPLICATION OF THE PIECES MADE TO THIS DESIGN.



DESIGNERS & MANUFACTURERS OF KNOBS, HANDLES, CASES & CUSTOM PLASTIC COMPONENTS

|                  |           |
|------------------|-----------|
| P/N 0035-D       |           |
| M <sup>NO.</sup> | 0035      |
| PINS             | 35-C&50-K |
| SHIM             | #1        |
| ROTARY SET-UP    |           |
| THD. CORE        | R-35-D    |
|                  |           |



MATERIAL: G.P. PHENOLIC (B11)  
COLOR: BLACK

|   |                                  |   |               |            |
|---|----------------------------------|---|---------------|------------|
| TOLERANCES:<br>UNLESS OTHERWISE SPECIFIED | DO NOT SCALE<br>DRAWING          |   |               |            |
| DECIMALS: X.XXX ± .005<br>X.XX ± .015     | MM: X.XX ± 0.15MM<br>X.X ± 0.4MM | - | RE-DID REDRAW | TL 9/29/99 |
| FRACTIONS ± 1/64                          | ANG. ± 1°                        | - | CAD REDRAW    | HD 7/9/92  |
| CHANGES                                   |                                  |   |               |            |

## X-ON Electronics

Largest Supplier of Electrical and Electronic Components

*Click to view similar products for [Knobs & Dials](#) category:*

*Click to view products by [Davies Molding](#) manufacturer:*

Other Similar products are found below :

[8519](#) [8547](#) [8573](#) [11K5015-EMNB](#) [11K5019-ECNB](#) [11K5020-KLAB](#) [11K5048-KMNB](#) [11K5014-EMNB](#) [11K5015-EMNG](#) [11K5019-EMNB](#) [1770](#) [P400S-08-D6-N](#) [K6510](#) [PKJ50B18](#) [42000B38](#) [420114B14](#) [5006](#) [KS700B14](#) [411](#) [420037B14](#) [8517](#) [8545](#) [8546](#) [8572](#) [H-516-3A](#) [P861H-0X-S6](#) [8544](#) [11K5014-JMNG](#) [11K5014-KMNG](#) [11K5014-ECNG](#) [5700E](#) [5002-5](#) [52-928.40](#) [5003-5](#) [11K5019-KCNG](#) [11K5028-KCNG](#) [02000-11A-2](#) [02000-4-1](#) [0025DF](#) [G813512LADUS-0](#) [2810-Y](#) [3009CC](#) [3025BA](#) [YME IP 12 D](#) [YME IP 01 A](#) [YME IP 12 H](#) [YME IP 12L-U](#) [YME IP 16 I](#) [YME IP 01 B](#) [YME IP 16 N](#)