

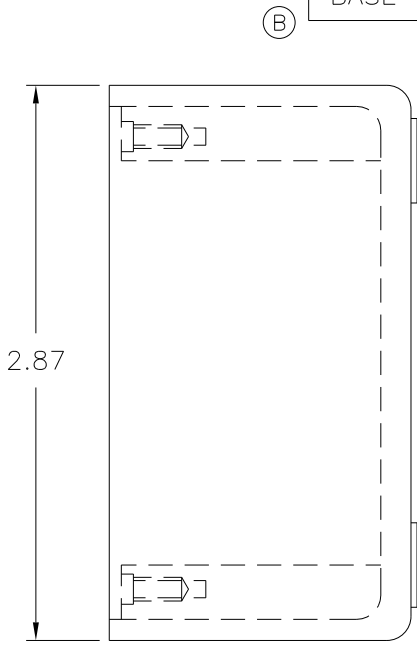
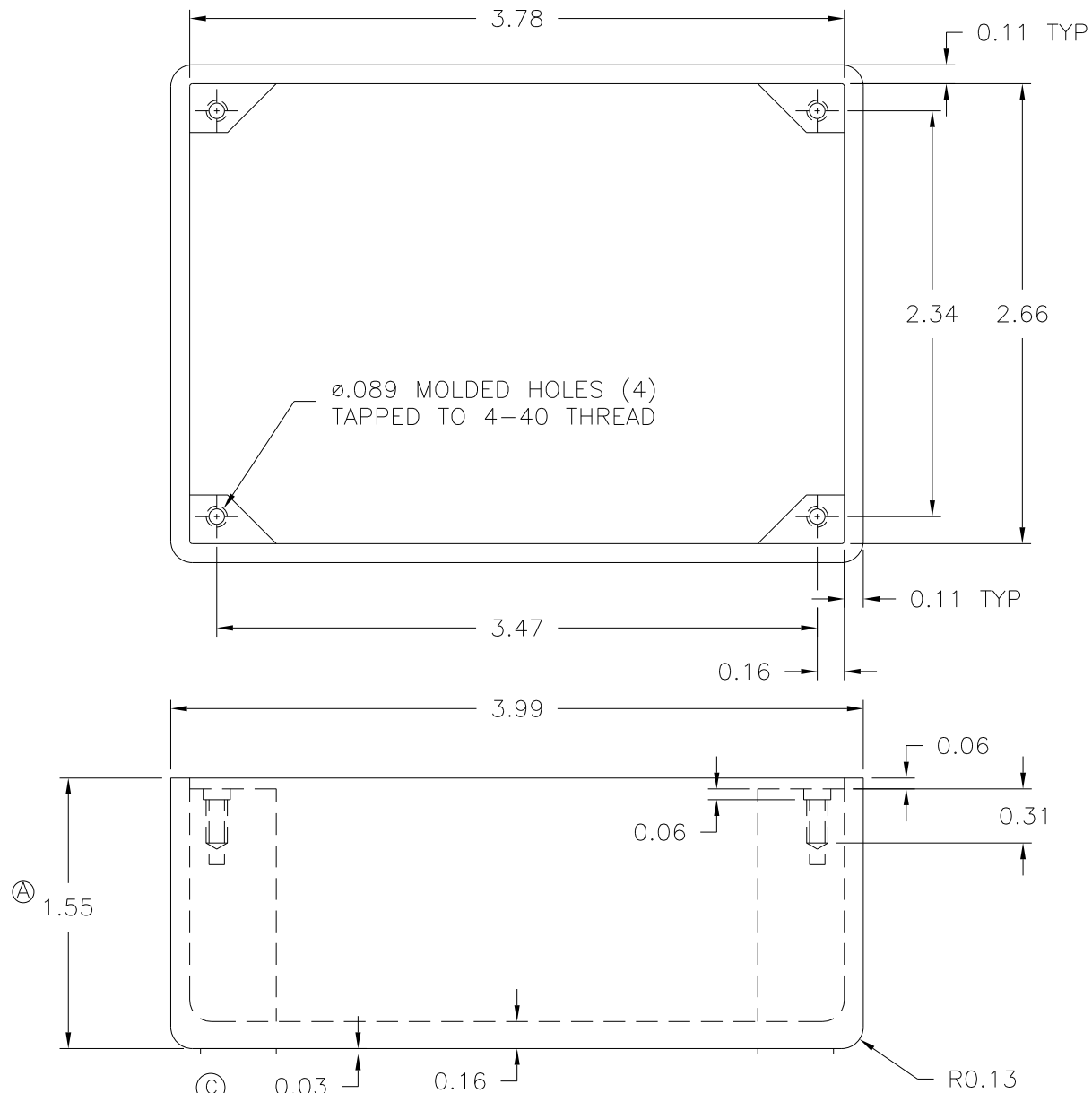
PART NAME: CASE SCALE: 1:1 DATE: 3/8/63 DR. BY LS

THIS DRAWING IS THE PROPERTY OF DAVIES MOLDING COMPANY, IS SUBMITTED SOLELY AS A DESIGN OR ENGINEERING PROJECT. WE ACCEPT NO RESPONSIBILITY WHATSOEVER FOR THE PRACTICAL APPLICATION OF THE PIECES MADE TO THIS DESIGN.



DESIGNERS & MANUFACTURERS OF KNOBS, HANDLES, CASES & CUSTOM PLASTIC COMPONENTS

P/N 0220-A
BASE PART 0220-01



NOTE(S) :
(1) ALL MOLDED CASE(S) MUST BE ROUTED ALL (4) CORNERS AT THE MOLDING PRESS.
(2) ALL MOLDED CASE(S) MUST BE FREE OF BLISTERED CONDITION.

MATERIAL: #2535 PHENOLIC (B35)
COLOR: BLACK

TOLERANCES: UNLESS OTHERWISE SPECIFIED	DO NOT SCALE DRAWING	C	WAS G.P. PHENOLIC (B11)	JAM	3/18/16
		B	ADDED BASE PART	JAM	2/27/14
DECIMALS: X.XXX ± .005 X.XX ± .015	MM: X.XX ± 0.15MM X.X ± 0.4MM	-	RE-DID REDRAW	TL	10/12/99
		A	ADDED 1 9/16	MP	1/3/97
FRACTIONS ± 1/64	ANG. ± 1°	-	CAD REDRAW	HD	3/31/95

CHANGES

X-ON Electronics

Largest Supplier of Electrical and Electronic Components

Click to view similar products for [Enclosures, Boxes & Cases](#) *category:*

Click to view products by [Davies Molding](#) *manufacturer:*

Other Similar products are found below :

[60221-01](#) [M17-L-PLN](#) [M-21-PLATED](#) [63310-01-000](#) [74257-510-000](#) [CNL-0004](#) [MDC-13104-PTD](#) [MDC-973-PLAIN-ALUM](#)
[77153-01-028](#) [FLX6030](#) [90026-501-000](#) [PS36-200](#) [120-407](#) [1301170079](#) [138-PLAIN](#) [1434-1210](#) [144011](#) [EAS-500 \(BLACK ANO\)](#)
[KAB3421](#) [2697466](#) [S52213](#) [A0645271](#) [A20P20](#) [2106-IR](#) [G505025B](#) [2792057](#) [2890386](#) [2906241](#) [2906254](#) [2907981](#) [H5031](#) [RC-7762](#) [CU-](#)
[284](#) [404-BLACK](#) [MDC-532-PLAIN-ALUM](#) [MDC-642-PLAIN-ALUM](#) [B137](#) [5400TN](#) [UM-BEFE 35-1 BK](#) [UNC 1 3/4-5-5 PLAIN](#) [UNC 2-](#)
[4-6 PLAIN](#) [459-0070](#) [043853](#) [103031](#) [11416P](#) [WM012RI,BK](#) [UPS 350-17-9 PLAIN](#) [UNC 5-6-6 PLAIN](#) [UNC 3-10-10 PLAIN](#) [KR8-315](#)
[030808060](#) [UM-SE-A73-R BK](#)