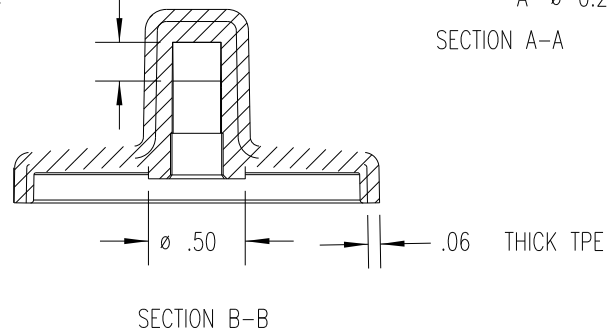
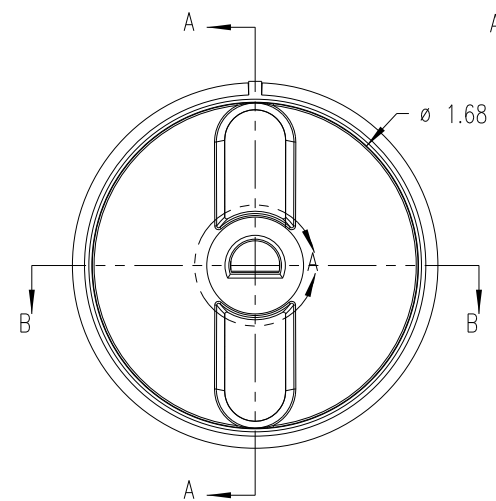
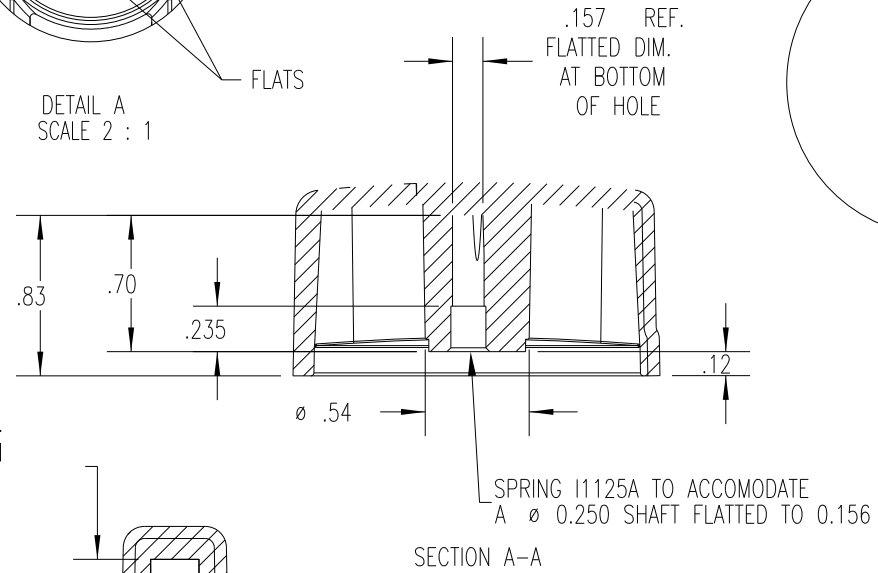
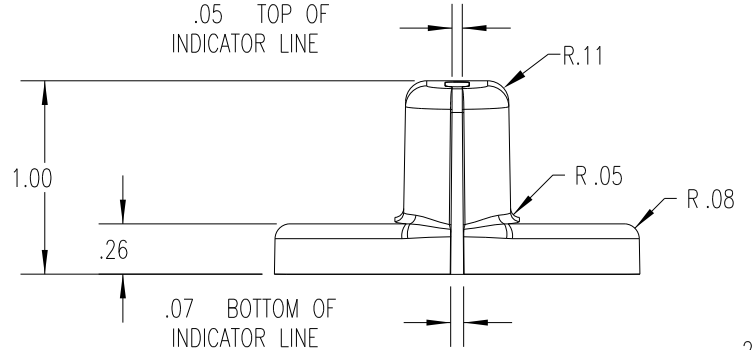
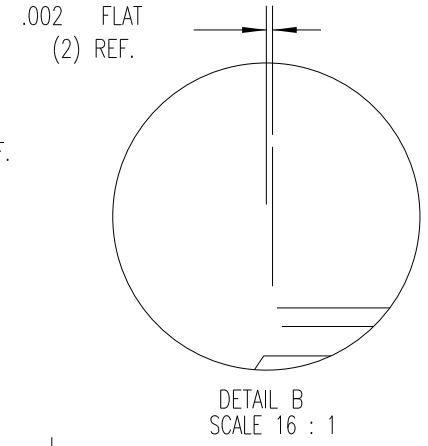
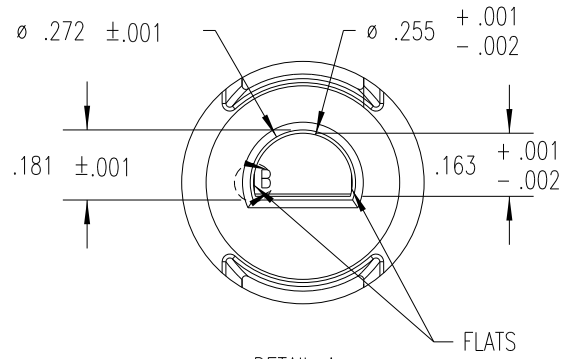
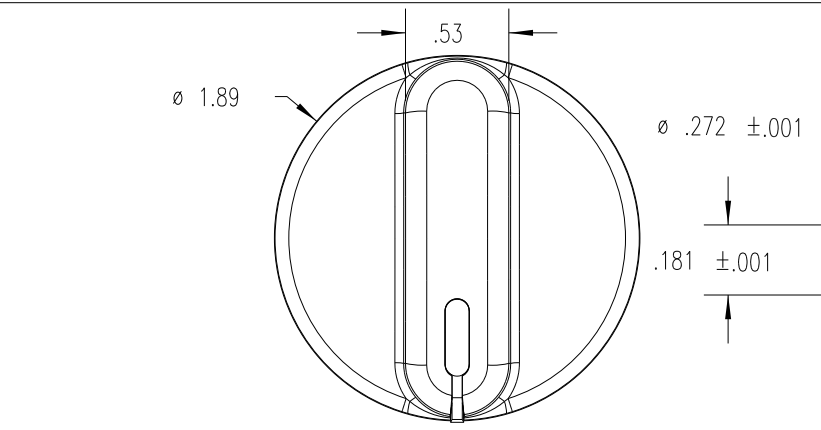


PART NAME: KNOB      SCALE: 1:1      DATE: 3/6/09      DR. BY JAM

DAVIES MOLDING COMPANY  
CAROL STREAM, ILLINOIS 60188

P/N	1507-C
MOLD #	1507
CAVITY	1507
CORE	1507
PIN	1507-C
SPRING	I1125A

THIS DRAWING IS THE PROPERTY OF DAVIES MOLDING COMPANY, IS SUBMITTED SOLELY AS A DESIGN OR ENGINEERING PROJECT.  
WE ACCEPT NO RESPONSIBILITY WHATSOEVER FOR THE PRACTICAL APPLICATION OF THE PIECES MADE TO THIS DESIGN.



SUBSTRATE MATERIAL: 33% GLASS FILLED NYLON (CL5)  
COLOR: WHITE (SWGfNYWH)      (A)  
OVERMOLD MATERIAL: TPE (TPE1)  
COLOR: BLACK (PC-301)

TOLERANCES: UNLESS OTHERWISE SPECIFIED	DO NOT SCALE DRAWING			
DECIMALS: X.XXX ± .005 X.XX ± .015	MM: X.XX ± 0.15MM X.X ± 0.4MM	A	WAS WTB8000	JAM 10/15/15
FRACTIONS ± 1/64	ANG. ± 1°	-	WAS SK1507-10	JAM 3/6/09
CHANGES				

## X-ON Electronics

Largest Supplier of Electrical and Electronic Components

*Click to view similar products for [Knobs & Dials](#) category:*

*Click to view products by [Davies Molding](#) manufacturer:*

Other Similar products are found below :

[61-9028.20](#) [61-9028.9](#) [8529](#) [8573](#) [9-1437622-4](#) [11K5015-EMNB](#) [11K5019-ECNB](#) [11K5020-KLAB](#) [11K5028-JMNG](#) [11K5048-KMNB](#)  
[11K5014-EMNB](#) [11K5015-EMNG](#) [11K5019-EMNB](#) [11K5029-KMNG](#) [P400S-08-D6-N](#) [K6510](#) [KNSL500B1/8](#) [AL811BA18](#) [420031B18](#)  
[5006](#) [KB700BA1/4](#) [KS700B14](#) [5149A](#) [52-928.20](#) [52-928.60](#) [52-928.9](#) [8517](#) [8546](#) [8570](#) [8572](#) [H-516-3A](#) [P861H-0X-S6](#) [8544](#) [11K5014-](#)  
[JMNG](#) [11K5014-KMNG](#) [11K5014-ECNG](#) [5700E](#) [KA500B18](#) [KFS600B14](#) [KN900AB14](#) [KFS500B14](#) [KNS501B18](#) [PKD60B1018](#)  
[PK1100B18](#) [PKES140B14](#) [PKES150B14](#) [PKJT70B14](#) [5002-5](#) [420061B1/4](#) [61-9028.60](#)