

PART NAME: KNOB

SCALE: 1:1

DATE: 1/31/56

DR. BY AN

DAVIES MOLDING COMPANY  
CAROL STREAM, ILLINOIS 60188

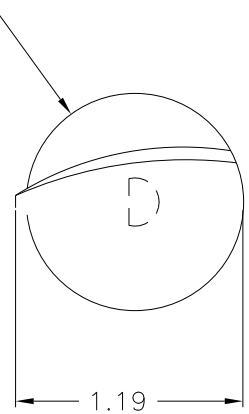
P/N 1550-A

THIS DRAWING IS THE PROPERTY OF DAVIES MOLDING COMPANY, IS SUBMITTED SOLELY AS A DESIGN OR ENGINEERING PROJECT.  
WE ACCEPT NO RESPONSIBILITY WHATSOEVER FOR THE PRACTICAL APPLICATION OF THE PIECES MADE TO THIS DESIGN.

BASE PART 1550-04

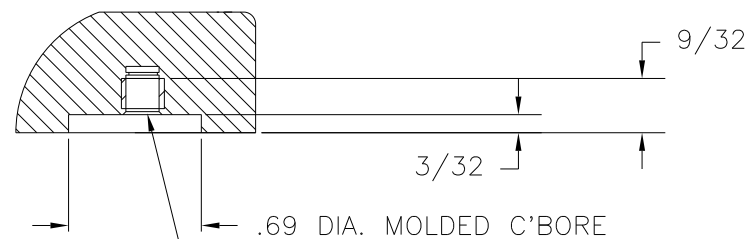
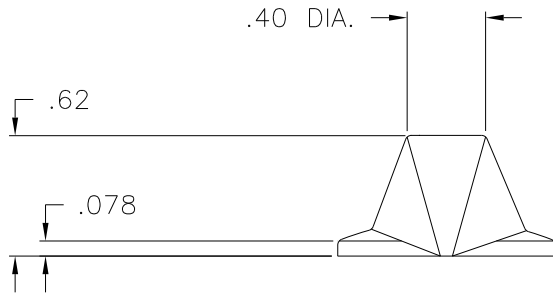
SPRING I1125

1.12 DIA.

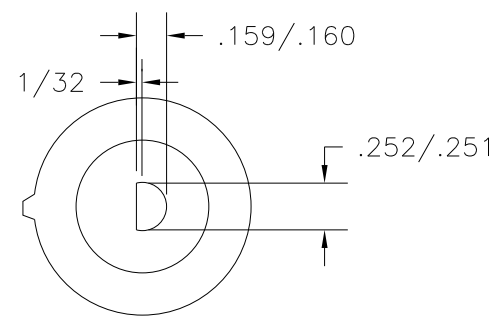


(A) (B) (C) (D)

.40 DIA.



"D" SHAPED SPRING I-1125A,  
MOUNTED TO FIT 1/4 DIA. SHAFT  
FLATTED TO 5/32



MATERIAL: G.P. PHENOLIC (B11)  
COLOR: BLACK

-	UPDATED/HAD TOOLBOX	EV.	8/8/02
D	WAS I1125	JAM	3/16/01
-	CAD/REDRAWN	HD	10/28/93
C	SAC SET-UP DELETED	HD	8/26/81
B	AUTO-STOKES SET -UP ADDED	NH	5/24/74
A	WAS I-376	LSP	2/5/58

TOLERANCES: UNLESS OTHERWISE SPECIFIED	DO NOT SCALE DRAWING
DECIMALS: X.XXX ± .005 X.XX ± .015	MM: X.XX ± 0.15MM X.X ± 0.4MM
FRACTIONS ± 1/64	ANG. ± 1°

CHANGES

## X-ON Electronics

Largest Supplier of Electrical and Electronic Components

*Click to view similar products for [Knobs & Dials](#) category:*

*Click to view products by [Davies Molding](#) manufacturer:*

Other Similar products are found below :

[8519](#) [8529](#) [8547](#) [8573](#) [11K5015-EMNB](#) [11K5019-ECNB](#) [11K5020-KLAB](#) [11K5048-KMNB](#) [11K5014-EMNB](#) [11K5015-EMNG](#) [11K5019-EMNB](#) [1770](#) [P400S-08-D6-N](#) [K6510](#) [PKJ50B18](#) [42000B38](#) [420114B14](#) [5006](#) [KS700B14](#) [411](#) [420037B14](#) [8517](#) [8545](#) [8546](#) [8572](#) [H-516-3A](#) [P861H-0X-S6](#) [8544](#) [11K5014-JMNG](#) [11K5014-KMNG](#) [11K5014-ECNG](#) [5700E](#) [5002-5](#) [52-928.40](#) [5003-5](#) [11K5019-KCNG](#) [11K5028-KCNG](#) [02000-11A-2](#) [02000-4-1](#) [0025DF](#) [G813512LADUS-0](#) [2810-Y](#) [3009CC](#) [3025BA](#) [YME IP 12 D](#) [YME IP 01 A](#) [YME IP 12 H](#) [YME IP 12L-U](#) [YME IP 16 I](#) [YME IP 01 B](#)