

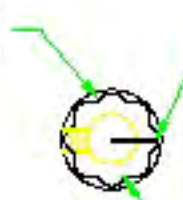
PART NAME: KNOB      SCALE: 1:1      DATE: 3/20/98      DR. BY: TD

DAVIES MOLDING COMPANY  
CAROL STREAM, ILLINOIS 60188

|            |         |
|------------|---------|
| P/N 1900-H |         |
| BASE PART  | 1900-03 |
| SET SCREW  | I0511   |
| BRAND      | TF-0811 |

THIS DRAWING IS THE PROPERTY OF DAVIES MOLDING COMPANY, IS SUBMITTED SOLELY AS A DESIGN OR ENGINEERING PROJECT. WE ACCEPT NO RESPONSIBILITY WHATSOEVER FOR THE PRACTICAL APPLICATION OF THE PIECES MADE TO THIS DESIGN.

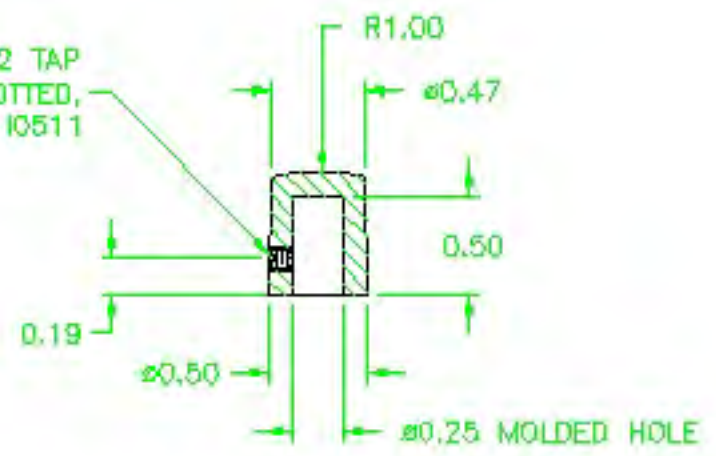
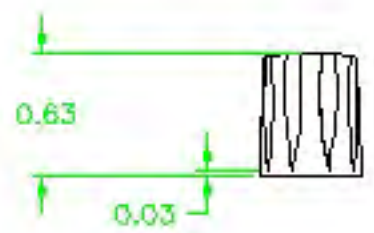
3/32 WIDE x 1/32 DEEP  
(8) SERRATIONS EQ. SPACED



BRAND T & F-811 AS SHOWN  
180° FROM SET SCREW, IN WHITE

R0.06

USE #36 DRILL (Ø1065), 6-32 TAP  
6-32 X 1/8, CUP POINT, SLOTTED,  
SET SCREW, I0511



MATERIAL: G.P. PHENOLIC (B11)  
COLOR: BLACK

|   |                                  |         |                        |             |
|---|----------------------------------|---------|------------------------|-------------|
| TOLERANCES:<br>UNLESS OTHERWISE SPECIFIED | DO NOT SCALE<br>DRAWING          |         |                        |             |
| DECIMALS: X.XXX ± .005<br>X.XX ± .015     | MM: X.XX ± 0.15MM<br>X.X ± 0.4MM | -       | UPDATING/ISSUE TOOLBOX | EV. 8/12/02 |
| FRACTIONS ± 1/64                          | ANG. ± 1'                        | CHANGES |                        |             |

## X-ON Electronics

Largest Supplier of Electrical and Electronic Components

*Click to view similar products for [Knobs & Dials](#) category:*

*Click to view products by [Davies Molding](#) manufacturer:*

Other Similar products are found below :

[8519](#) [8547](#) [8573](#) [11K5015-EMNB](#) [11K5019-ECNB](#) [11K5020-KLAB](#) [11K5048-KMNB](#) [11K5014-EMNB](#) [11K5015-EMNG](#) [11K5019-EMNB](#) [1770](#) [P400S-08-D6-N](#) [K6510](#) [PKJ50B18](#) [42000B38](#) [420114B14](#) [5006](#) [KS700B14](#) [411](#) [420037B14](#) [8517](#) [8545](#) [8546](#) [8572](#) [H-516-3A](#) [P861H-0X-S6](#) [8544](#) [11K5014-JMNG](#) [11K5014-KMNG](#) [11K5014-ECNG](#) [5700E](#) [5002-5](#) [52-928.40](#) [5003-5](#) [11K5019-KCNG](#) [11K5028-KCNG](#) [02000-11A-2](#) [02000-4-1](#) [0025DF](#) [G813512LADUS-0](#) [2810-Y](#) [3009CC](#) [3025BA](#) [YME IP 12 D](#) [YME IP 01 A](#) [YME IP 12 H](#) [YME IP 12L-U](#) [YME IP 16 I](#) [YME IP 01 B](#) [YME IP 16 N](#)