

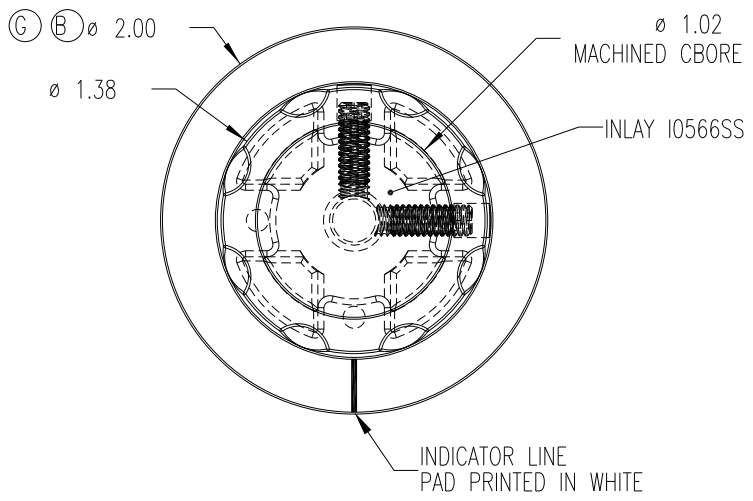
PART NAME: KNOB SCALE: 1:1 DATE: 1/21/97 DR. BY: HD



P/N 1940BE

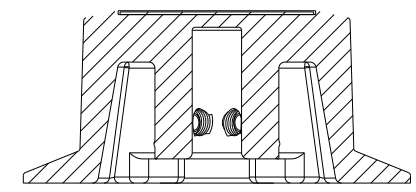
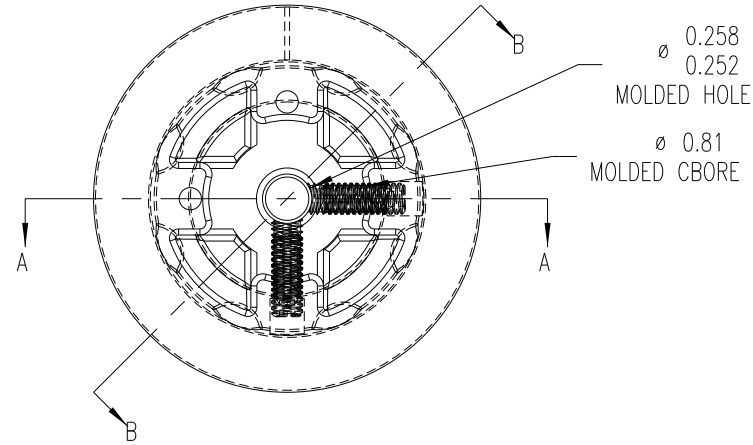
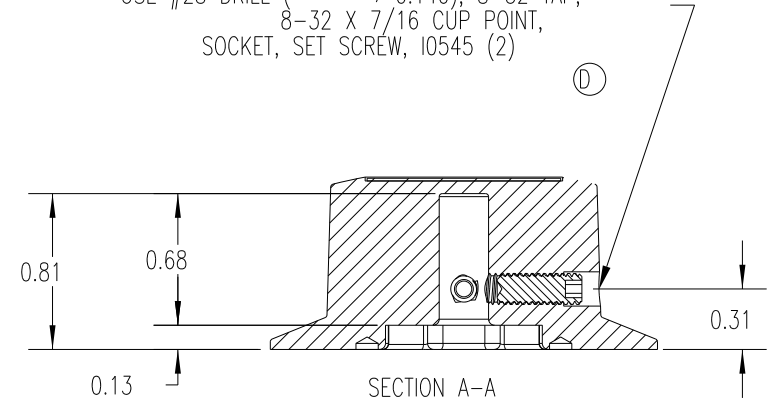
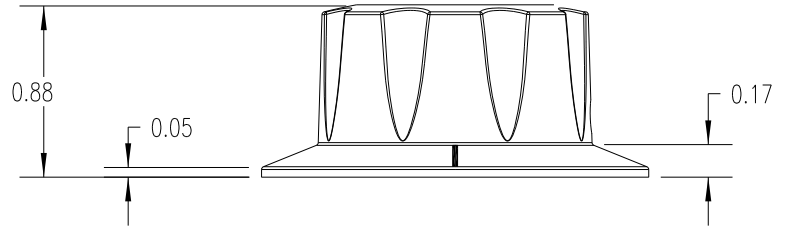
THIS DRAWING IS THE PROPERTY OF DAVIES MOLDING COMPANY, IS SUBMITTED SOLELY AS A DESIGN OR ENGINEERING PROJECT. WE ACCEPT NO RESPONSIBILITY WHATSOEVER FOR THE PRACTICAL APPLICATION OF THE PIECES MADE TO THIS DESIGN.

BASE PART	1940-01
INLAY	I0566SS
SET SCREW	I0545



ⓔ PACK IN EGG CRATE CONTAINERS

ⓕ  $\square \phi 0.177 \nabla 3/16$  (#16 DRILL)  
 USE #28 DRILL ( $\phi 0.140$ ), 8-32 TAP,  
 8-32 X 7/16 CUP POINT,  
 SOCKET, SET SCREW, I0545 (2)



ⓓ MATERIAL: 04311 PHENOLIC (B41)  
 COLOR: BLACK

H	WAS 02511 PHENOLIC (B11)	JAM	7/16/08
G	WAS $\phi 2.03$ , REDRAW	JAM	2/6/08
F	WAS $\square \phi 3/16$	DS	3/8/07
E	ADD PACKING INFORMATION	DD	4/7/05
D	WAS I0022	TS	5/31/01
-	UPDATED/HAD TOOLBOX	ST	12/5/00
C	WAS I0454	ST	12/5/00
-	CLEANED DRAWING	JAM	10/23/00
B	WAS $\phi 2.00$	TL	9/24/99
A	WAS I0022	TS	9/24/98

TOLERANCES: UNLESS OTHERWISE SPECIFIED	DO NOT SCALE DRAWING
DECIMALS: X.XXX $\pm .005$ X.XX $\pm .015$	MM: X.XX $\pm 0.15$ MM X.X $\pm 0.4$ MM
FRACTIONS $\pm 1/64$	ANG. $\pm 1^\circ$

CHANGES

## X-ON Electronics

Largest Supplier of Electrical and Electronic Components

*Click to view similar products for [Knobs & Dials](#) category:*

*Click to view products by [Davies Molding](#) manufacturer:*

Other Similar products are found below :

[8519](#) [8547](#) [8573](#) [11K5015-EMNB](#) [11K5019-ECNB](#) [11K5020-KLAB](#) [11K5048-KMNB](#) [11K5014-EMNB](#) [11K5015-EMNG](#) [11K5019-EMNB](#) [1770](#) [P400S-08-D6-N](#) [K6510](#) [PKJ50B18](#) [42000B38](#) [420114B14](#) [5006](#) [KS700B14](#) [411](#) [420037B14](#) [8517](#) [8545](#) [8546](#) [8572](#) [H-516-3A](#) [P861H-0X-S6](#) [8544](#) [11K5014-JMNG](#) [11K5014-KMNG](#) [11K5014-ECNG](#) [5700E](#) [5002-5](#) [52-928.40](#) [5003-5](#) [11K5019-KCNG](#) [11K5028-KCNG](#) [02000-11A-2](#) [02000-4-1](#) [0025DF](#) [G813512LADUS-0](#) [2810-Y](#) [3009CC](#) [3025BA](#) [YME IP 12 D](#) [YME IP 01 A](#) [YME IP 12 H](#) [YME IP 12L-U](#) [YME IP 16 I](#) [YME IP 01 B](#) [YME IP 16 N](#)