

PART NAME: KNOB SCALE: 1:1 DATE: 3/2/01 DR. BY JAM

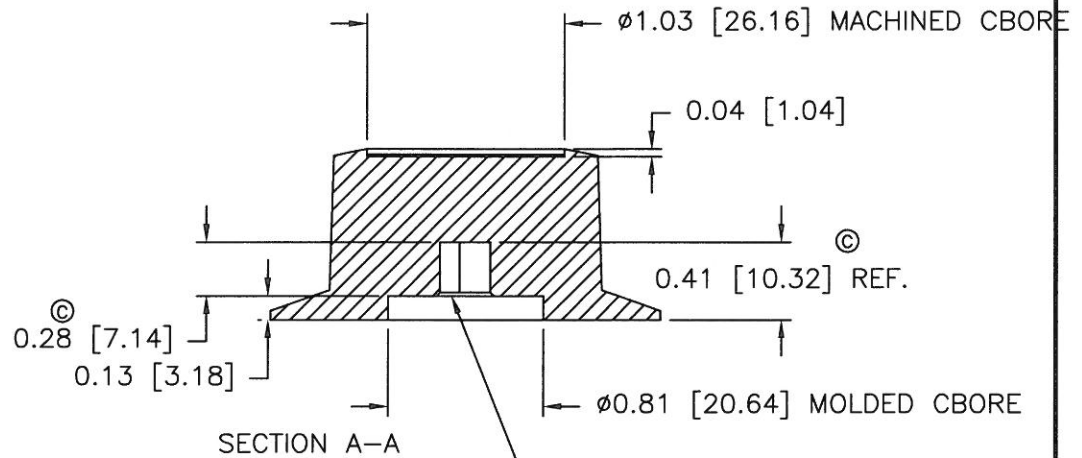
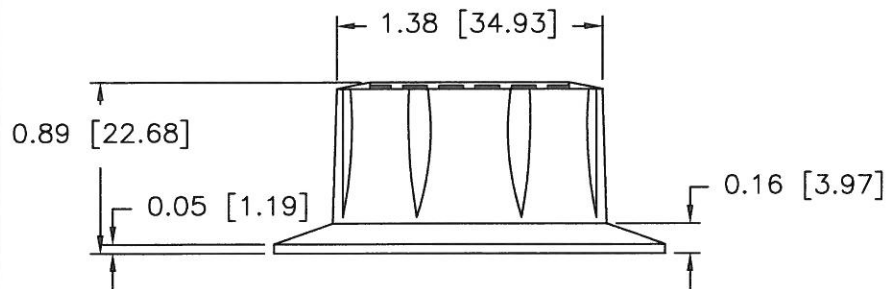
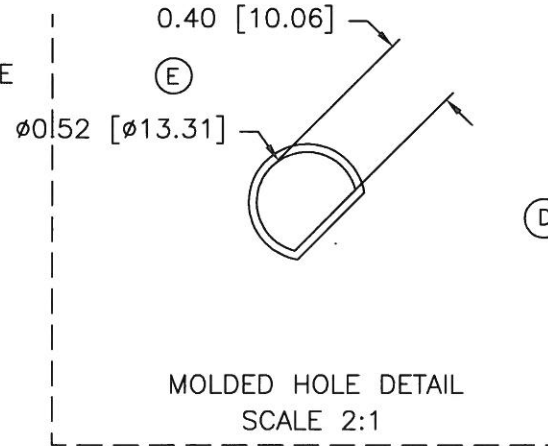
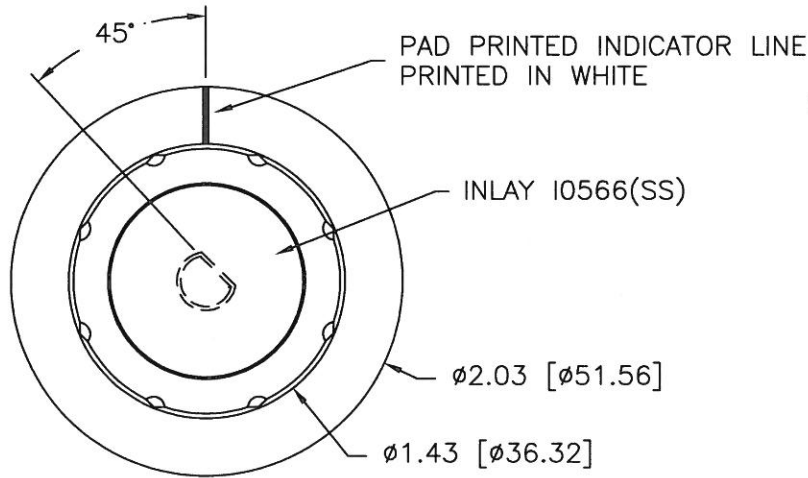
THIS DRAWING IS THE PROPERTY OF DAVIES MOLDING COMPANY, IS SUBMITTED SOLELY AS A DESIGN OR ENGINEERING PROJECT. WE ACCEPT NO RESPONSIBILITY WHATSOEVER FOR THE PRACTICAL APPLICATION OF THE PIECES MADE TO THIS DESIGN.

**DAVIES MOLDING** DESIGNERS & MANUFACTURERS OF KNOBS, HANDLES, CASES & CUSTOM PLASTIC COMPONENTS

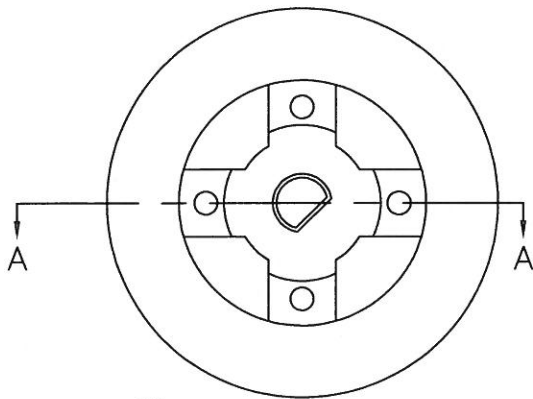
P/N 1940CA

M NO. 3140

CAVITY	1940
PLUNGER	1940
OUTER PIN	1940-A
INNER PIN	1940CA
INLAY	I0566-SS
SPRING	I2264



Ø6MM (0.24) FLATTED TO 0.180 "D" SHAPED HOLE TO ACCOMODATE SPRING I2264 (LECTRA SPRING 6610)



Ⓕ MATERIAL: 04311 PHENOLIC (B41)  
COLOR: BLACK

F	WAS #2511 PHENOLIC (B11)	JAM	7/16/08
E	UPDATED PIN DETAIL HOLE	TS	1/28/03
D	WAS SPRING I2206	JAM	1/7/03
-	EXCLUDED FROM BASE PARTS	JAM	1/6/03

TOLERANCES: UNLESS OTHERWISE SPECIFIED	DO NOT SCALE DRAWING	C	WAS 0.50 & ADDED 0.28 (B)	TS	12/5/02
DECIMALS: X.XXX ± .005 X.XX ± .015	MM: X.XX ± 0.15MM X.X ± 0.4MM	B	WAS 0.69 (A)	TS	10/12/01
FRACTIONS ± 1/64	ANG. ± 1°	A	MODIFIED HOLE DEPTH TO MATCH PART	JAM	10/1/01
		-	WAS SK1940-07	JAM	3/2/01
CHANGES					

## **X-ON Electronics**

Largest Supplier of Electrical and Electronic Components

*Click to view similar products for [Knobs & Dials](#) category:*

*Click to view products by [Davies Molding](#) manufacturer:*

Other Similar products are found below :

[790-1030](#) [790-1202](#) [790-2226](#) [8519](#) [8529](#) [8547](#) [85-559](#) [8573](#) [11K5015-EMNB](#) [11K5048-KMNB](#) [11K5015-EMNG](#) [1770](#) [P400S-08-D6-N](#)  
[K6510](#) [3045B](#) [AR22PY-122B](#) [PKJ50B18](#) [277A](#) [348003](#) [42000B38](#) [420114B14](#) [5006](#) [56008-001](#) [411](#) [420037B14](#) [WA-101C-P](#) [WA-102B](#)  
[WA-103](#) [WA-109B](#) [WA-1450-P](#) [WA-1550](#) [WA-1600-P](#) [WA-2300](#) [WA-4100](#) [WA-4108-P](#) [52-928.20](#) [52-928.60](#) [52-928.9](#) [8545](#) [8572](#) [WA-](#)  
[4104](#) [WA-4103](#) [WA-1202](#) [WA-104B](#) [WA-103B](#) [WA-102](#) [6126](#) [MS91528-0N1B](#) [790-1208](#) [790-1370-MS](#)