

PART NAME: KNOB SCALE: 1:1 DATE: 11/28/95 DR. BY RF

THIS DRAWING IS THE PROPERTY OF DAVIES MOLDING COMPANY, IS SUBMITTED SOLELY AS A DESIGN OR ENGINEERING PROJECT. WE ACCEPT NO RESPONSIBILITY WHATSOEVER FOR THE PRACTICAL APPLICATION OF THE PIECES MADE TO THIS DESIGN.

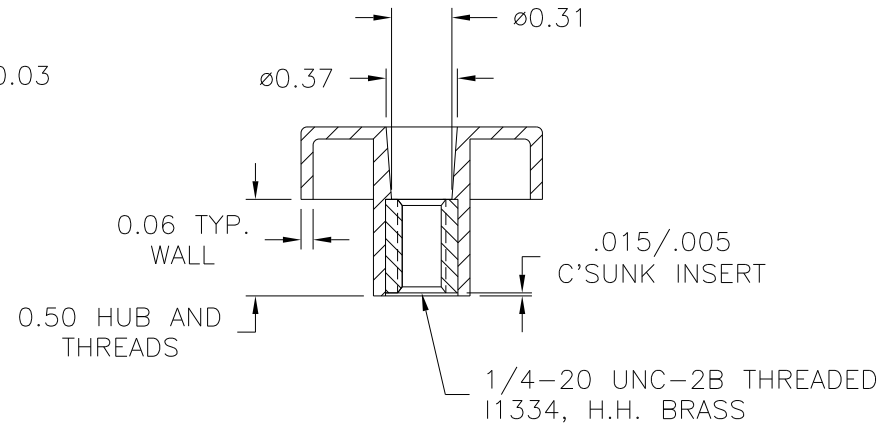
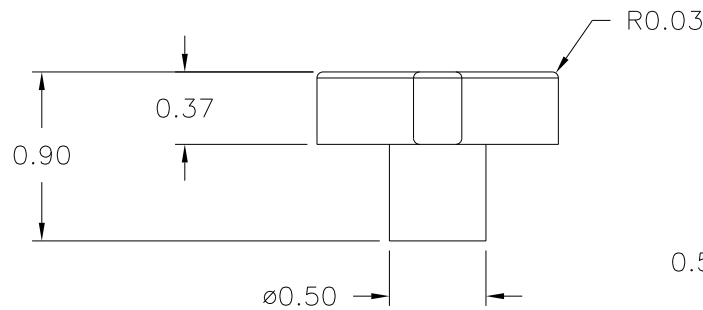
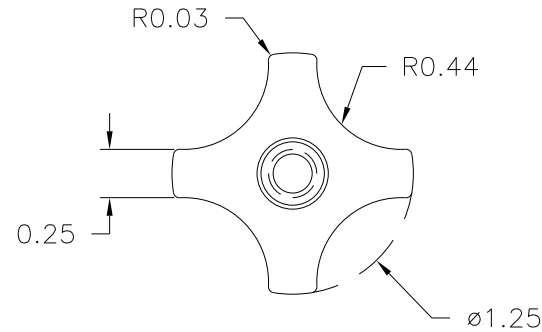


DESIGNERS & MANUFACTURERS OF KNOBS, HANDLES, CASES & CUSTOM PLASTIC COMPONENTS

P/N 2810-Y

M NO. 75

| | |
|-------------|--------|
| CAVITY | 2810 |
| CORE | 2810 |
| CAVITY PLUG | 2810-Y |
| SLEEVE | 2810-Y |
| PIN | 2810-B |
| INSERT | I1334 |



ⓑ MATERIAL: NYLON 6/6 (ZY2), (ZY6) OR ENGINEERING APPROVED EQUIVALENT
 ⓐ COLOR: BLACK

| | | | | | |
|---|----------------------------------|---|----------------------|-----|----------|
| TOLERANCES: UNLESS OTHERWISE SPECIFIED | DO NOT SCALE DRAWING | B | WAS CLC ADDED ZY6 | JAM | 6/25/12 |
| DECIMALS: X.XXX ± .005 X.XX ± .015 | MM: X.XX ± 0.15MM X.X ± 0.4MM | A | ADDED MAT. CODE | JAM | 12/28/06 |
| FRACTIONS ± 1/64 | ANG. ± 1° | - | REDRAWN | TL | 11/22/99 |
| CHANGES | | | | | |

X-ON Electronics

Largest Supplier of Electrical and Electronic Components

Click to view similar products for [Knobs & Dials](#) category:

Click to view products by [Davies Molding](#) manufacturer:

Other Similar products are found below :

[61-9028.20](#) [61-9028.9](#) [8529](#) [8573](#) [9-1437622-4](#) [11K5015-EMNB](#) [11K5019-ECNB](#) [11K5020-KLAB](#) [11K5028-JMNG](#) [11K5048-KMNB](#)
[11K5014-EMNB](#) [11K5015-EMNG](#) [11K5019-EMNB](#) [11K5029-KMNG](#) [P400S-08-D6-N](#) [K6510](#) [KNSL500B1/8](#) [AL811BA18](#) [420031B18](#)
[5006](#) [KB700BA1/4](#) [KS700B14](#) [411](#) [4-1437621-3](#) [420065A14AL](#) [5149A](#) [52-928.20](#) [52-928.60](#) [52-928.9](#) [8517](#) [8546](#) [8570](#) [8572](#) [H-516-3A](#)
[P861H-0X-S6](#) [8544](#) [11K5014-JMNG](#) [11K5014-KMNG](#) [11K5014-ECNG](#) [5700E](#) [KA500B18](#) [KFS600B14](#) [KN900AB14](#) [KFS500B14](#)
[KNS501B18](#) [PKD60B1018](#) [PK1100B18](#) [PKES140B14](#) [PKES150B14](#) [PKJT70B14](#)