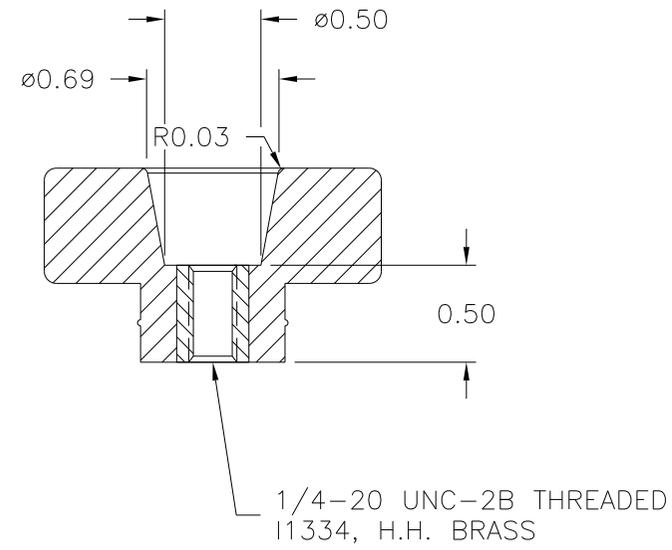
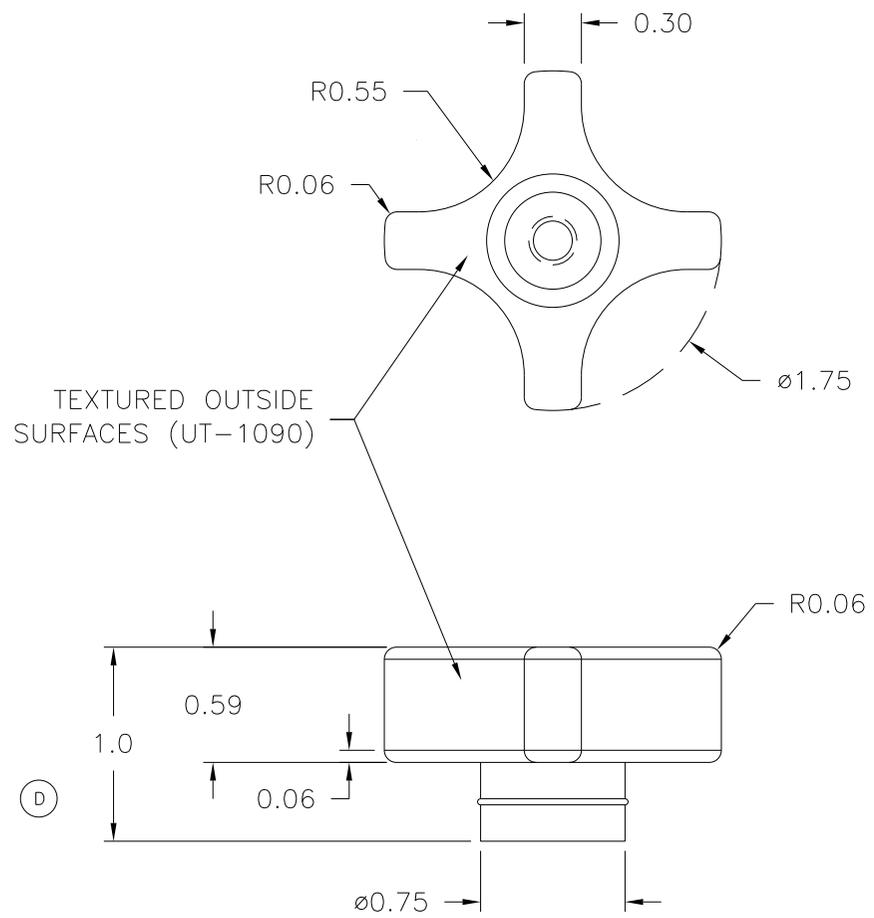


PART NAME: KNOB SCALE: 1:1 DATE: 3/16/94 DR. BY HD

THIS DRAWING IS THE PROPERTY OF DAVIES MOLDING COMPANY, IS SUBMITTED SOLELY AS A DESIGN OR ENGINEERING PROJECT. WE ACCEPT NO RESPONSIBILITY WHATSOEVER FOR THE PRACTICAL APPLICATION OF THE PIECES MADE TO THIS DESIGN.

DAVIES MOLDING DESIGNERS & MANUFACTURERS OF KNOBS, HANDLES, CASES & CUSTOM PLASTIC COMPONENTS

P/N	2825-F
M NO.	73
CAVITY	2825
CORE	2825
CAVITY PLUG	2825-F
SLEEVE	2825
PIN	2825
(C) SPRING WASHER	(1) 0.028 (BOTTOM PIN)
INSERT	I1334



(B) NOTE: (1) 0.028 SPRING WASHER PER BOTTOM PIN IS REQUIRED. NO SPRING WASHER ON THE TOP PIN.

MATERIAL: 20% TALC-FILLED POLYPROPYLENE (BC9)
COLOR: BLACK

D	WAS 1.00, ADDED TOLERANCE	EW	7/23/14
	C	CLARIFIED WASHER INFO.	TS 2/25/02
B	ADDED PIN WASHER & NOTE	TS	2/5/02
-	REDRAWN	TL	11/22/99
A	WAS POLYPROPYLENE	MH	10/21/98
TOLERANCES: UNLESS OTHERWISE SPECIFIED		DO NOT SCALE DRAWING	
DECIMALS: X.XXX ± .005 X.XX ± .015 X.X ± .03		MM: X.XX ± 0.15MM X.X ± 0.4MM	
FRACTIONS ± 1/64		ANG. ± 1°	
CHANGES			

X-ON Electronics

Largest Supplier of Electrical and Electronic Components

Click to view similar products for [Knobs & Dials](#) category:

Click to view products by [Davies Molding](#) manufacturer:

Other Similar products are found below :

[790-1030](#) [790-1202](#) [790-2226](#) [8519](#) [8529](#) [8547](#) [85-559](#) [8573](#) [11K5015-EMNB](#) [11K5048-KMNB](#) [11K5015-EMNG](#) [1770](#) [P400S-08-D6-N](#)
[K6510](#) [3045B](#) [AR22PY-122B](#) [PKJ50B18](#) [277A](#) [348003](#) [42000B38](#) [420114B14](#) [5006](#) [56008-001](#) [411](#) [420037B14](#) [WA-101C-P](#) [WA-102B](#)
[WA-103](#) [WA-109B](#) [WA-1450-P](#) [WA-1550](#) [WA-1600-P](#) [WA-2300](#) [WA-4100](#) [WA-4108-P](#) [52-928.20](#) [52-928.60](#) [52-928.9](#) [8545](#) [8572](#) [WA-](#)
[4104](#) [WA-4103](#) [WA-1202](#) [WA-104B](#) [WA-103B](#) [WA-102](#) [6126](#) [MS91528-0N1B](#) [790-1208](#) [790-1370-MS](#)