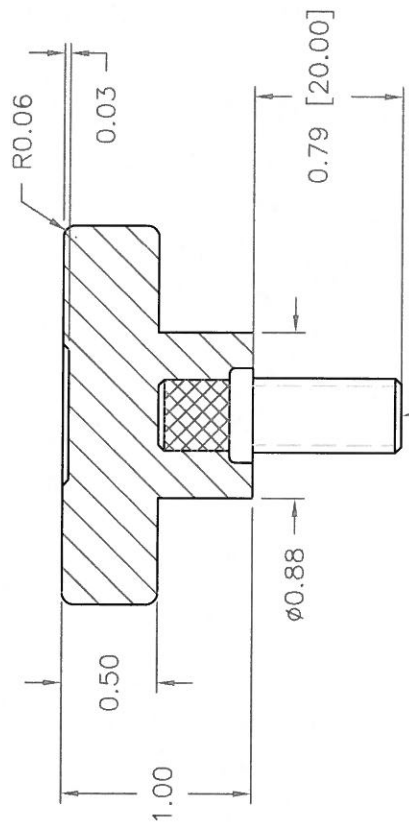
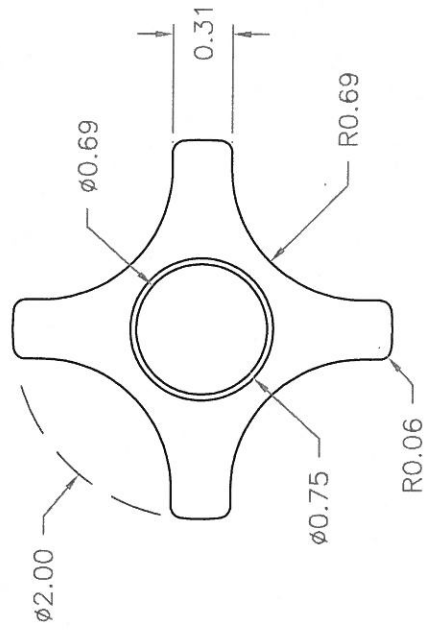


PART NAME: KNOB  
 SCALE: 1:1  
 DATE: 5/30/17  
 DR. BY JD

DESIGNERS & MANUFACTURERS  
 OF KNOBS, HANDLES, CASES &  
 CUSTOM PLASTIC COMPONENTS

THIS DRAWING IS THE PROPERTY OF DAVIES MOLDING COMPANY, IS SUBMITTED SOLELY AS A DESIGN OR ENGINEERING PROJECT.  
 WE ACCEPT NO RESPONSIBILITY WHATSOEVER FOR THE PRACTICAL APPLICATION OF THE PIECES MADE TO THIS DESIGN.

P/N	2830EC
M.No.	2890-2830
CAVITY	2830
PLUNGER	2830
PLUNGER PIN	2830
PIN	3000-J-2
LANDING BAR	.472
PIN PLATE SHIM	.498
SHIM	.018
INSERT	I2502
CAVITY KEY	1/8x1/4x1 1/8
PLUNGER KEY	1/8x1/4x1 1/8



M10 X 1.5 - 6g THREADED  
 I2502, STEEL, ZINC

MATERIAL: #4311 PLENCO PHENOLIC (B41)  
 COLOR: BLACK

TOLERANCES: UNLESS OTHERWISE SPECIFIED	DO NOT SCALE DRAWING
DECIMALS: X.XXX ± .005 X.XX ± .015	MM: X.XX ± 0.15MM X.X ± 0.4MM
FRACTIONS ± 1/64	ANG. ± 1°
CHANGES	

## **X-ON Electronics**

Largest Supplier of Electrical and Electronic Components

*Click to view similar products for [Knobs & Dials](#) category:*

*Click to view products by [Davies Molding](#) manufacturer:*

Other Similar products are found below :

[790-1030](#) [790-1202](#) [790-2226](#) [8519](#) [8529](#) [8547](#) [85-559](#) [8573](#) [11K5015-EMNB](#) [11K5048-KMNB](#) [11K5015-EMNG](#) [1770](#) [P400S-08-D6-N](#)  
[K6510](#) [3045B](#) [AR22PY-122B](#) [PKJ50B18](#) [277A](#) [348003](#) [42000B38](#) [420114B14](#) [5006](#) [56008-001](#) [411](#) [420037B14](#) [WA-101C-P](#) [WA-102B](#)  
[WA-103](#) [WA-109B](#) [WA-1450-P](#) [WA-1550](#) [WA-1600-P](#) [WA-2300](#) [WA-4100](#) [WA-4108-P](#) [0703006-003](#) [0744386-211](#) [52-928.20](#) [52-928.60](#)  
[8517](#) [8545](#) [8572](#) [WA-4104](#) [WA-4103](#) [WA-2350](#) [WA-1202](#) [WA-104B](#) [WA-103B](#) [WA-102](#) [6126](#)