

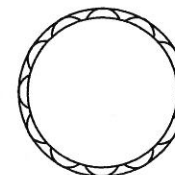
PART NAME: KNOB SCALE: 1:1 DATE: 11/1/16 DR. BY JAM

THIS DRAWING IS THE PROPERTY OF DAVIES MOLDING COMPANY, IS SUBMITTED SOLELY AS A DESIGN OR ENGINEERING PROJECT. WE ACCEPT NO RESPONSIBILITY WHATSOEVER FOR THE PRACTICAL APPLICATION OF THE PIECES MADE TO THIS DESIGN.

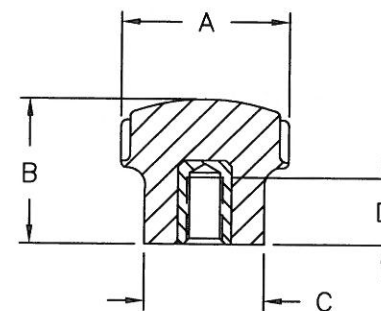


DESIGNERS & MANUFACTURERS OF KNOBS, HANDLES, CASES & CUSTOM PLASTIC COMPONENTS

P/N 2965QA-QF

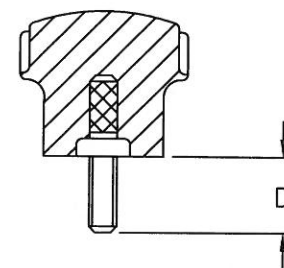


	THREAD	A	B	C	D
2965QA	M4 X 0.7	22	19	16	10
2965QB	M6 X 1	22	19	16	12



THREADED INTERNAL INSERT

	THREAD	A	B	C	D
2965QC	M4 X 0.7	22	19	16	10
2965QD	M4 X 0.7	22	19	16	20
2965QE	M6 X 1	22	19	16	20
2965QF	M6 X 1	22	19	16	30



THREADED STUD

KNOB MATERIAL: PHENOLIC
COLOR: BLACK

INSERT MATERIAL: INTERNAL INSERTS ARE BRASS,
PROJECTING STUDS ARE ZINC PLATED STEEL

TOLERANCES: UNLESS OTHERWISE SPECIFIED	DO NOT SCALE DRAWING			
	MM: X.XX ± 0.15MM X.X ± 0.4MM			
	ANG. ± 1°	CHANGES		

X-ON Electronics

Largest Supplier of Electrical and Electronic Components

Click to view similar products for [Knobs & Dials](#) category:

Click to view products by [Davies Molding](#) manufacturer:

Other Similar products are found below :

[790-1030](#) [790-1202](#) [790-2226](#) [8519](#) [8529](#) [8547](#) [85-559](#) [8573](#) [11K5015-EMNB](#) [11K5048-KMNB](#) [11K5015-EMNG](#) [1770](#) [P400S-08-D6-N](#)
[K6510](#) [3045B](#) [AR22PY-122B](#) [PKJ50B18](#) [277A](#) [348003](#) [42000B38](#) [420114B14](#) [5006](#) [56008-001](#) [411](#) [420037B14](#) [WA-101C-P](#) [WA-102B](#)
[WA-103](#) [WA-109B](#) [WA-1450-P](#) [WA-1550](#) [WA-1600-P](#) [WA-2300](#) [WA-4100](#) [WA-4108-P](#) [52-928.20](#) [52-928.60](#) [52-928.9](#) [8545](#) [8572](#) [WA-](#)
[4104](#) [WA-4103](#) [WA-1202](#) [WA-104B](#) [WA-103B](#) [WA-102](#) [6126](#) [MS91528-0N1B](#) [790-1208](#) [790-1370-MS](#)