

PART NAME: KNOB

SCALE: 1:1

DATE: 7/20/72

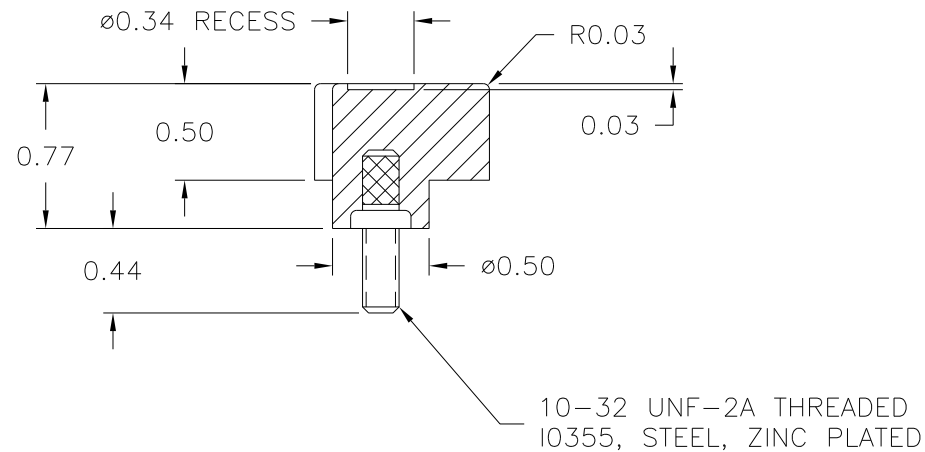
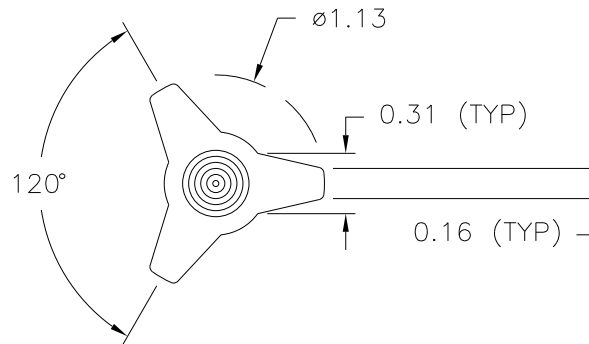
DR. BY NH


 DESIGNERS & MANUFACTURERS  
 OF KNOBS, HANDLES, CASES &  
 CUSTOM PLASTIC COMPONENTS

P/N 3025BA

 THIS DRAWING IS THE PROPERTY OF DAVIES MOLDING COMPANY, IS SUBMITTED SOLELY AS A DESIGN OR ENGINEERING PROJECT.  
 WE ACCEPT NO RESPONSIBILITY WHATSOEVER FOR THE PRACTICAL APPLICATION OF THE PIECES MADE TO THIS DESIGN.
M<sup>NO.</sup> 3025

|             |           |
|-------------|-----------|
| CAVITY      | 3025      |
| PLUNGER     | 3025      |
| PLUNGER PIN | 3025-A    |
| PINS        | 3025      |
| SHIMS       | 1/4 + 1/8 |
| INSERT      | I0355     |


 MATERIAL: G.P. PHENOLIC (B11)  
 COLOR: BLACK

|                                           |                                  |   |               |             |
|-------------------------------------------|----------------------------------|---|---------------|-------------|
| TOLERANCES:<br>UNLESS OTHERWISE SPECIFIED | DO NOT SCALE<br>DRAWING          |   |               |             |
| DECIMALS: X.XXX ± .005<br>X.XX ± .015     | MM: X.XX ± 0.15MM<br>X.X ± 0.4MM | - | RE-DID REDRAW | TL 11/16/99 |
| FRACTIONS ± 1/64                          | ANG. ± 1°                        | - | CAD REDRAW    | HD 9/22/97  |
| CHANGES                                   |                                  |   |               |             |

## X-ON Electronics

Largest Supplier of Electrical and Electronic Components

*Click to view similar products for [Knobs & Dials](#) category:*

*Click to view products by [Davies Molding](#) manufacturer:*

Other Similar products are found below :

[61-9028.20](#) [61-9028.9](#) [8529](#) [8573](#) [9-1437622-4](#) [11K5015-EMNB](#) [11K5019-ECNB](#) [11K5020-KLAB](#) [11K5028-JMNG](#) [11K5048-KMNB](#)  
[11K5014-EMNB](#) [11K5015-EMNG](#) [11K5019-EMNB](#) [11K5029-KMNG](#) [P400S-08-D6-N](#) [K6510](#) [KNSL500B1/8](#) [AL811BA18](#) [420031B18](#)  
[5006](#) [KB700BA1/4](#) [KS700B14](#) [411](#) [4-1437621-3](#) [420065A14AL](#) [5149A](#) [52-928.20](#) [52-928.60](#) [52-928.9](#) [8517](#) [8546](#) [8570](#) [8572](#) [H-516-3A](#)  
[P861H-0X-S6](#) [8544](#) [11K5014-JMNG](#) [11K5014-KMNG](#) [11K5014-ECNG](#) [5700E](#) [KA500B18](#) [KFS600B14](#) [KN900AB14](#) [KFS500B14](#)  
[KNS501B18](#) [PKD60B1018](#) [PK1100B18](#) [PKES140B14](#) [PKES150B14](#) [PKJT70B14](#)