

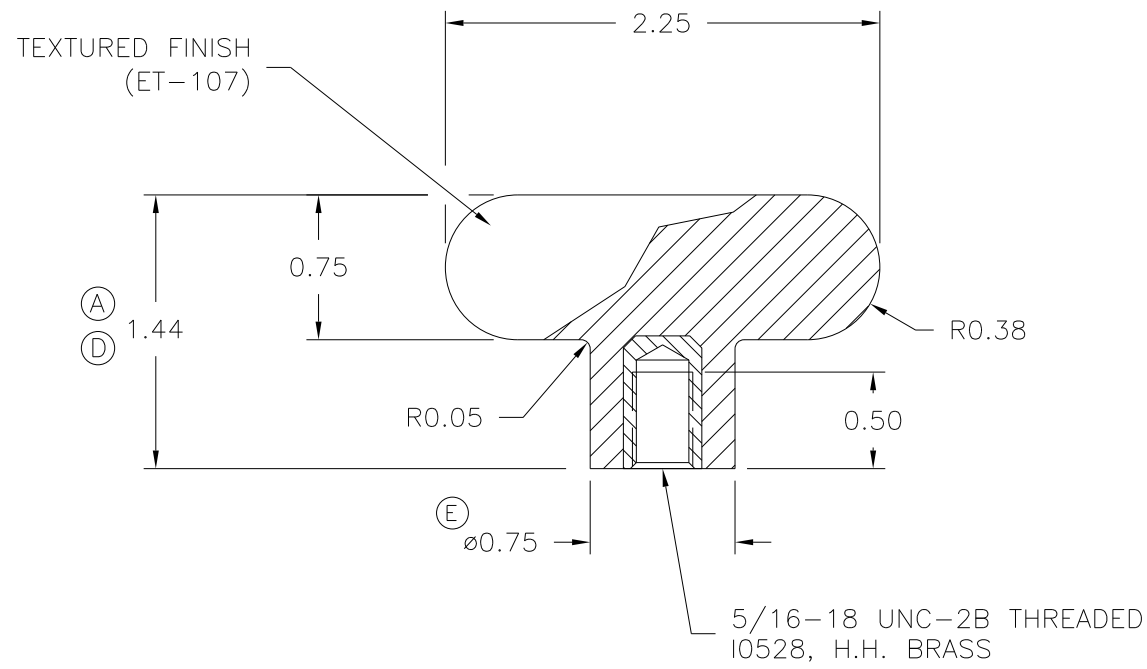
PART NAME: KNOB SCALE: 1:1 DATE: 4/7/87 DR. BY HD

THIS DRAWING IS THE PROPERTY OF DAVIES MOLDING COMPANY, IS SUBMITTED SOLELY AS A DESIGN OR ENGINEERING PROJECT. WE ACCEPT NO RESPONSIBILITY WHATSOEVER FOR THE PRACTICAL APPLICATION OF THE PIECES MADE TO THIS DESIGN.



P/N	3081-A
M ^{NO.}	23
CAVITY	3081
CORE	3081
SLEEVE	3081
PIN	3081-A
INSERT	I0528

(B) M ^{NO.}	2980
CAVITY	3081
CORE	3081
SLEEVE	3081
PIN	3081-A
INSERT	I0528



MATERIAL: POLYPROPYLENE (CLD) (C)
 COLOR: BLACK

E	WAS 0.77	JAM	11/17/14
D	1.42 WAS 1.44	JAM	8/6/07
C	ADDED MAT. CODE	DS	1/24/07
B	ADDED 2980 FRAME SET-UP	JAM	8/20/04
-	RE-DID REDRAW	TL	11/11/99
A	1.44 WAS 1.38	HD	7/5/96
-	CAD REDRAW	HD	11/2/92

TOLERANCES: UNLESS OTHERWISE SPECIFIED	DO NOT SCALE DRAWING
DECIMALS: X.XXX ± .005 X.XX ± .015	MM: X.XX ± 0.15MM X.X ± 0.4MM
FRACTIONS ± 1/64	ANG. ± 1°

CHANGES

X-ON Electronics

Largest Supplier of Electrical and Electronic Components

Click to view similar products for [Knobs & Dials](#) category:

Click to view products by [Davies Molding](#) manufacturer:

Other Similar products are found below :

[61-9028.20](#) [61-9028.9](#) [8529](#) [8573](#) [9-1437622-4](#) [11K5015-EMNB](#) [11K5019-ECNB](#) [11K5020-KLAB](#) [11K5028-JMNG](#) [11K5048-KMNB](#)
[11K5014-EMNB](#) [11K5015-EMNG](#) [11K5019-EMNB](#) [11K5029-KMNG](#) [P400S-08-D6-N](#) [K6510](#) [KNSL500B1/8](#) [AL811BA18](#) [420031B18](#)
[5006](#) [KB700BA1/4](#) [KS700B14](#) [411](#) [4-1437621-3](#) [420065A14AL](#) [5149A](#) [52-928.20](#) [52-928.60](#) [52-928.9](#) [8517](#) [8546](#) [8570](#) [8572](#) [H-516-3A](#)
[P861H-0X-S6](#) [8544](#) [11K5014-JMNG](#) [11K5014-KMNG](#) [11K5014-ECNG](#) [5700E](#) [KA500B18](#) [KFS600B14](#) [KN900AB14](#) [KFS500B14](#)
[KNS501B18](#) [PKD60B1018](#) [PK1100B18](#) [PKES140B14](#) [PKES150B14](#) [PKJT70B14](#)