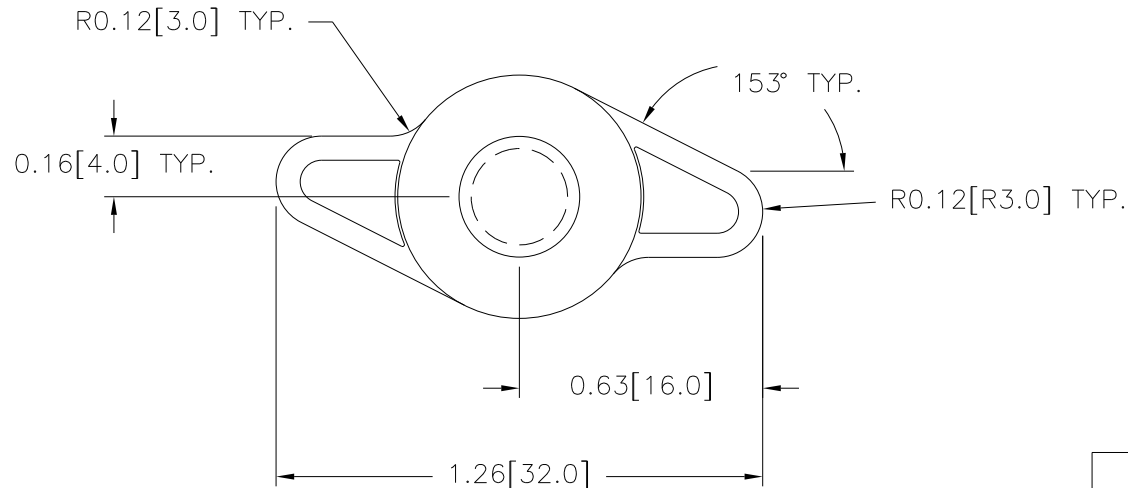
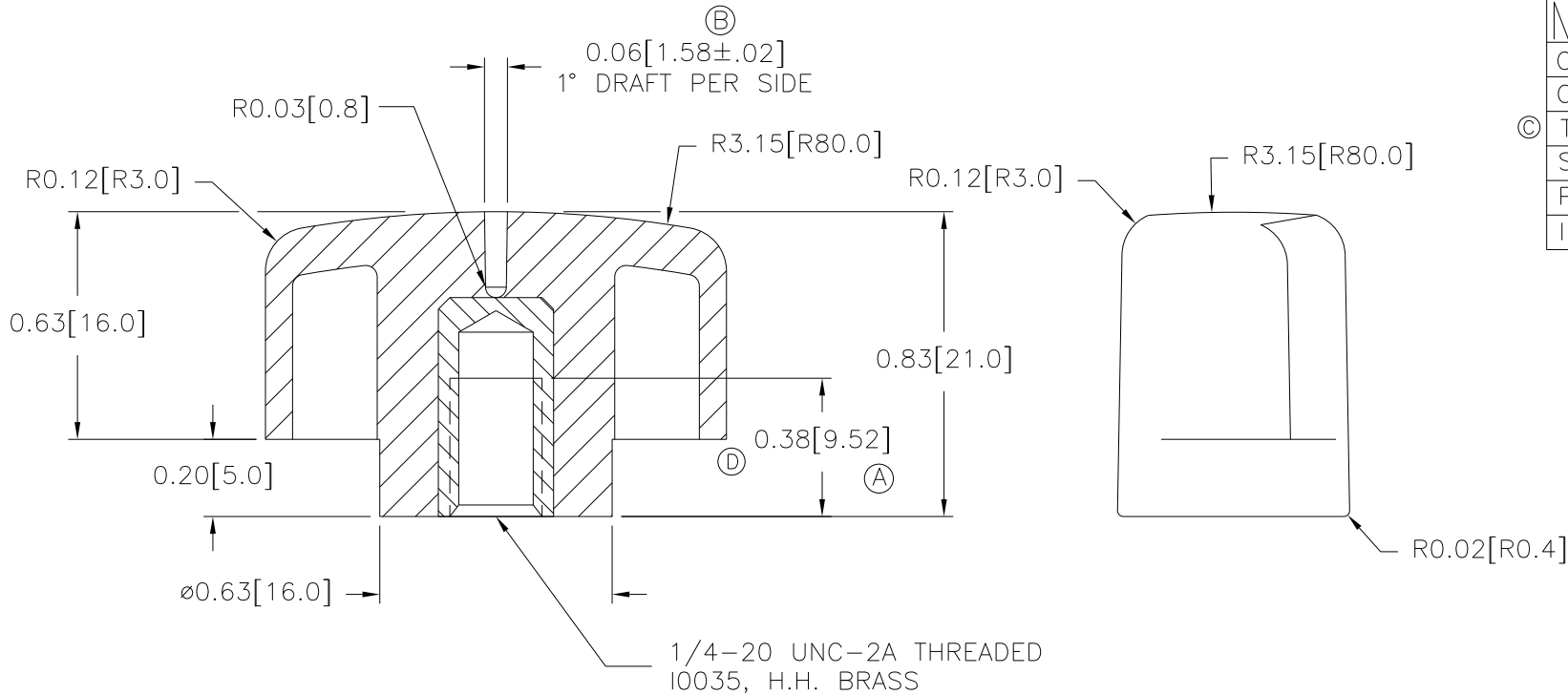


THIS DRAWING IS THE PROPERTY OF DAVIES MOLDING COMPANY, IS SUBMITTED SOLELY AS A DESIGN OR ENGINEERING PROJECT. WE ACCEPT NO RESPONSIBILITY WHATSOEVER FOR THE PRACTICAL APPLICATION OF THE PIECES MADE TO THIS DESIGN.

M NO.	3084
CAVITY	3084
CORE	3084
TOP PIN	LONG (1.501)
SLEEVE	3084
PIN	3084
INSERT	10035



MATERIAL: HIPS (CLB) (E)
COLOR: BLACK

NOTE(S) :

- (1) DRAFT PER SIDE 1° MAX. UNLESS OTHERWISE SPECIFIED.
- (2) DIMENSIONS SHOWN ARE MINUS DRAFT.
- (3) ALL EXTERNAL SURFACES TO BE RAWAL TEXTURE (MT-11010)
- (4) MOLDED PARTS MUST PASS IMPACT TEST PER S-B POWER TOOL COMPANY STD. C-5.6 IS
- (5) GATE AND EJECTOR PIN LOCATIONS MUST BE APPROVED BY S-B POWER TOOL CO. ENGINEERING DEPT. AND SHOWN ON DWG.
- (6) ALL RADII TO BLEND SMOOTH WITH ADJOINING SURFACES.

E	ADDED MAT. CODE	JAM	6/25/12
D	REMOVED RADIUS	JAM	10/15/09
C	WAS 1.515	TS	5/14/2001
B	WAS 1.60	TL	7/21/99
A	WAS 6.35	TL	7/21/99
-	WAS SK3084-2	TS	9/9/98

TOLERANCES: UNLESS OTHERWISE SPECIFIED	DO NOT SCALE DRAWING
DECIMALS: X.XXX ± .005 X.XX ± .015	MM: X.XX ± 0.15MM X.X ± 0.4MM
FRACTIONS ± 1/64	ANG. ± 1°

CHANGES

X-ON Electronics

Largest Supplier of Electrical and Electronic Components

Click to view similar products for [Knobs & Dials](#) category:

Click to view products by [Davies Molding](#) manufacturer:

Other Similar products are found below :

[8519](#) [8547](#) [8573](#) [11K5015-EMNB](#) [11K5019-ECNB](#) [11K5020-KLAB](#) [11K5048-KMNB](#) [11K5014-EMNB](#) [11K5015-EMNG](#) [11K5019-EMNB](#) [1770](#) [P400S-08-D6-N](#) [K6510](#) [PKJ50B18](#) [42000B38](#) [420114B14](#) [5006](#) [KS700B14](#) [411](#) [420037B14](#) [8517](#) [8545](#) [8546](#) [8572](#) [H-516-3A](#) [P861H-0X-S6](#) [8544](#) [11K5014-JMNG](#) [11K5014-KMNG](#) [11K5014-ECNG](#) [5700E](#) [5002-5](#) [52-928.40](#) [5003-5](#) [11K5019-KCNG](#) [11K5028-KCNG](#) [02000-11A-2](#) [02000-4-1](#) [0025DF](#) [G813512LADUS-0](#) [2810-Y](#) [3009CC](#) [3025BA](#) [YME IP 12 D](#) [YME IP 01 A](#) [YME IP 12 H](#) [YME IP 12L-U](#) [YME IP 16 I](#) [YME IP 01 B](#) [YME IP 16 N](#)