

PART NAME: ADJUSTMENT KNOB SCALE: 2 : 1 DATE: 4/19/96 DR. BY RF

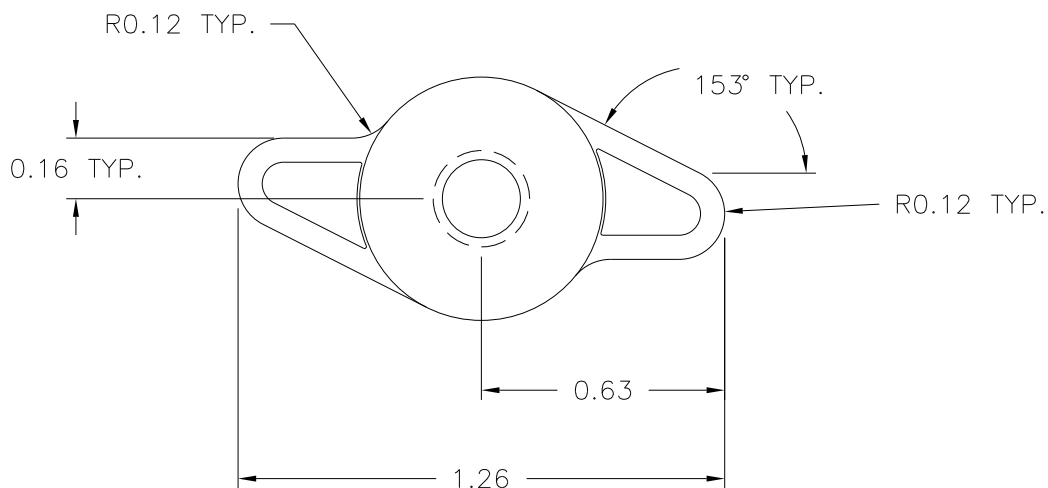
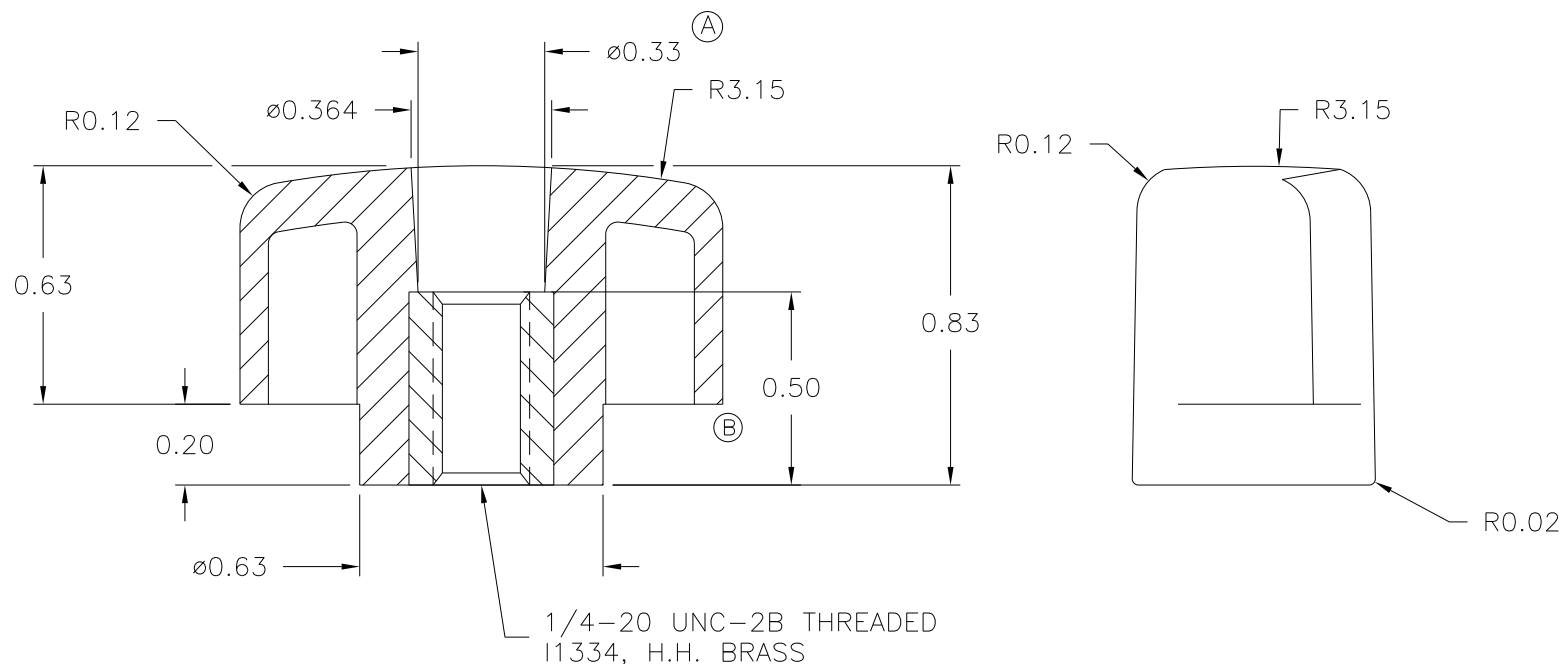
THIS DRAWING IS THE PROPERTY OF DAVIES MOLDING COMPANY, IS SUBMITTED SOLELY AS A DESIGN OR ENGINEERING PROJECT. WE ACCEPT NO RESPONSIBILITY WHATSOEVER FOR THE PRACTICAL APPLICATION OF THE PIECES MADE TO THIS DESIGN.



DESIGNERS & MANUFACTURERS OF KNOBS, HANDLES, CASES & CUSTOM PLASTIC COMPONENTS

P/N 3084-E

|            |        |
|------------|--------|
| M NO.      | 3084   |
| CAVITY     | 3084-E |
| CORE       | 3084   |
| CAVITY PIN | 3084-E |
| SLEEVE     | 3084   |
| PIN        | 3084   |
| INSERT     | 11334  |



MATERIAL: HIPS  
COLOR: BLACK

NOTE(S) :

- (1) DRAFT PER SIDE 1° MAX. UNLESS OTHERWISE SPECIFIED.
- (2) DIMENSIONS SHOWN ARE MINUS DRAFT.
- (3) ALL EXTERNAL SURFACES TO BE RAWAL TEXTURE (MT-11010)
- (4) ALL RADII TO BLEND SMOOTH WITH ADJOINING SURFACES.

|   |                                  |   |                 |     |          |
|---|----------------------------------|---|-----------------|-----|----------|
| TOLERANCES:<br>UNLESS OTHERWISE SPECIFIED | DO NOT SCALE<br>DRAWING          | B | REMOVED RADIUS  | JAM | 11/23/09 |
| DECIMALS: X.XXX ± .005<br>X.XX ± .015     | MM: X.XX ± 0.15MM<br>X.X ± 0.4MM | - | REDRAWN         | TL  | 11/11/99 |
| FRACTIONS ± 1/64                          | ANG. ± 1°                        | A | ø.328 WAS ø.313 | HD  | 8/10/96  |
| CHANGES                                   |                                  |   |                 |     |          |

## X-ON Electronics

Largest Supplier of Electrical and Electronic Components

*Click to view similar products for [Knobs & Dials](#) category:*

*Click to view products by [Davies Molding](#) manufacturer:*

Other Similar products are found below :

[61-9028.20](#) [61-9028.9](#) [8529](#) [8573](#) [9-1437622-4](#) [11K5015-EMNB](#) [11K5019-ECNB](#) [11K5020-KLAB](#) [11K5028-JMNG](#) [11K5048-KMNB](#)  
[11K5014-EMNB](#) [11K5015-EMNG](#) [11K5019-EMNB](#) [11K5029-KMNG](#) [P400S-08-D6-N](#) [K6510](#) [KNSL500B1/8](#) [AL811BA18](#) [420031B18](#)  
[5006](#) [KB700BA1/4](#) [KS700B14](#) [5149A](#) [52-928.20](#) [52-928.60](#) [52-928.9](#) [8517](#) [8546](#) [8570](#) [8572](#) [H-516-3A](#) [P861H-0X-S6](#) [8544](#) [11K5014-](#)  
[JMNG](#) [11K5014-KMNG](#) [11K5014-ECNG](#) [5700E](#) [KA500B18](#) [KFS600B14](#) [KN900AB14](#) [KFS500B14](#) [KNS501B18](#) [PKD60B1018](#)  
[PK1100B18](#) [PKES140B14](#) [PKES150B14](#) [PKJT70B14](#) [5002-5](#) [420061B1/4](#) [61-9028.60](#)