

PART NAME: FOOT

SCALE: 1:1

DATE: 7/11/92

DR. BY D.F.



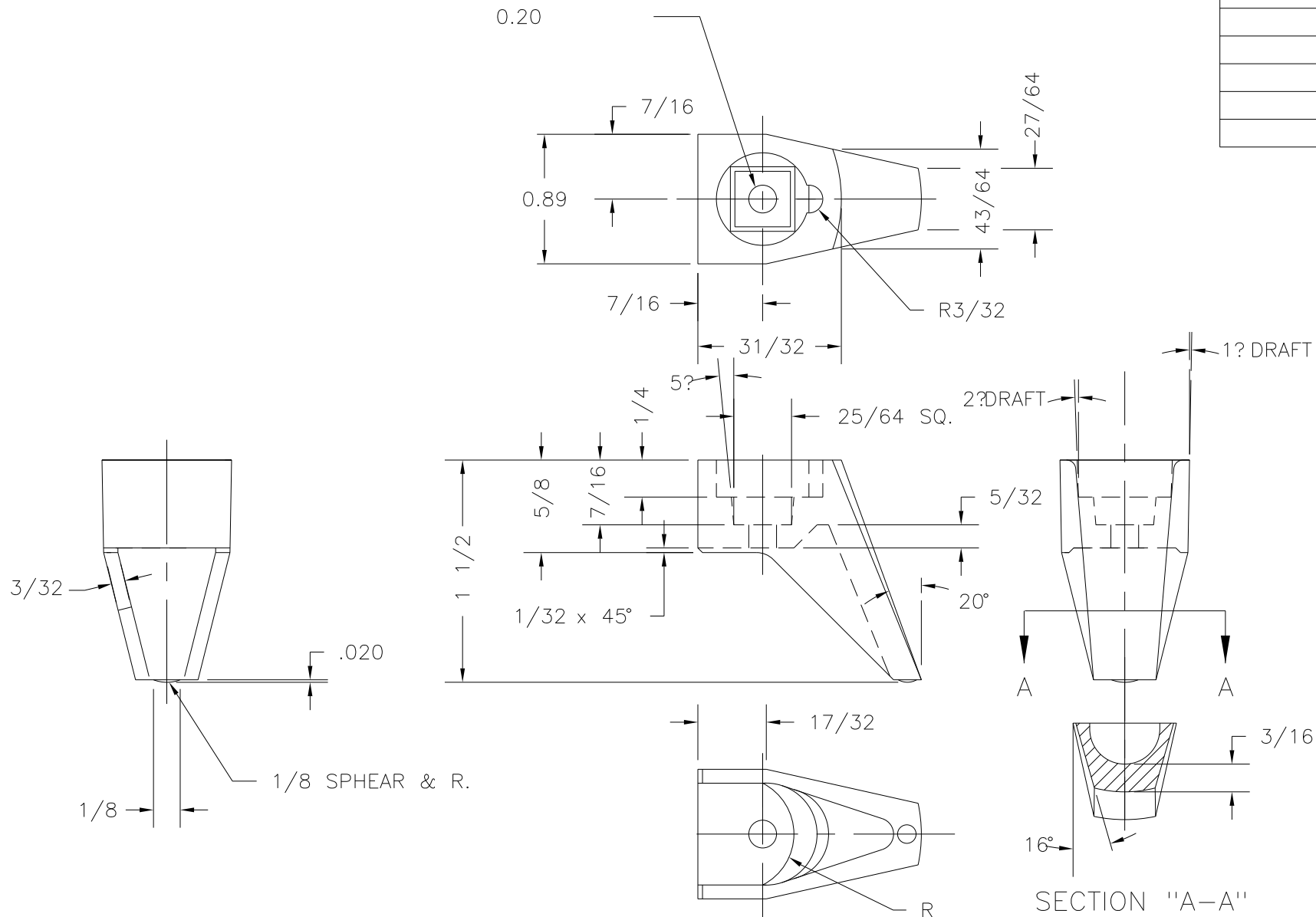
DESIGNERS & MANUFACTURERS OF KNOBS, HANDLES, CASES & CUSTOM PLASTIC COMPONENTS

P/N 4060

M NO. 4060

PIN 4060

THIS DRAWING IS THE PROPERTY OF DAVIES MOLDING COMPANY, IS SUBMITTED SOLELY AS A DESIGN OR ENGINEERING PROJECT. WE ACCEPT NO RESPONSIBILITY WHATSOEVER FOR THE PRACTICAL APPLICATION OF THE PIECES MADE TO THIS DESIGN.



TOLERANCES: UNLESS OTHERWISE SPECIFIED	DO NOT SCALE DRAWING			
DECIMALS: X.XXX ± .005 X.XX ± .015	MM: X.XX ± 0.15MM X.X ± 0.4MM			
FRACTIONS ± 1/64	ANG. ± 1°	CHANGES		

X-ON Electronics

Largest Supplier of Electrical and Electronic Components

Click to view similar products for [Mounting Fixings](#) category:

Click to view products by [Davies Molding](#) manufacturer:

Other Similar products are found below :

[5912235-1 REV](#) - [5912235-2](#) [007541](#) [627](#) [M3783-7001](#) [71-074914-006](#) [71-441549-19S](#) [75-69211-3P](#) [75-69214-6P](#) [75-69224-28P](#) [75-69232-17S](#) [7717-8DAP](#) [85043GULPR](#) [85047GULPT](#) [85054GBEPR](#) [FPK-02-R10](#) [PMS27488-001-01](#) [1-18023-0](#) [H-118-2](#)
[D83999/20WC8SN](#) [DB1](#) [1302030464](#) [DC31-14W19PN](#) [DC31-14W19PW](#) [DC31E14-19PX](#) [DC31E14-19PY](#) [DC32-18W32SN](#)
[DC36-18-32SW](#) [DC36-18-32SX](#) [DC37-14-19PW](#) [DC37-22-21PX](#) [DC37E14-19PN](#) [DC37E14-19PX](#) [DC37E14-19PY](#) [1302010957](#)
[1302263564](#) [1302340393](#) [1404-0016-78](#) [14540](#) [149331-9811](#) [1561-60](#) [1566](#) [1566](#) [17542](#) [HS5659MB98PN](#) [NT20SATT01](#)
[201C5058-01-201 REV E](#) [22594-8](#) [KBB-141](#) [89078GBEPR](#)