

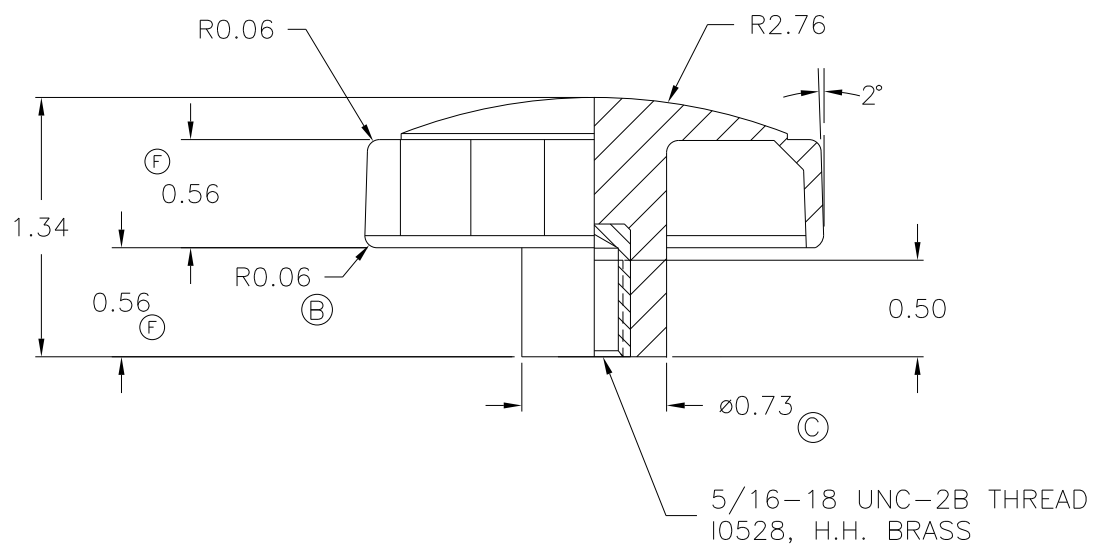
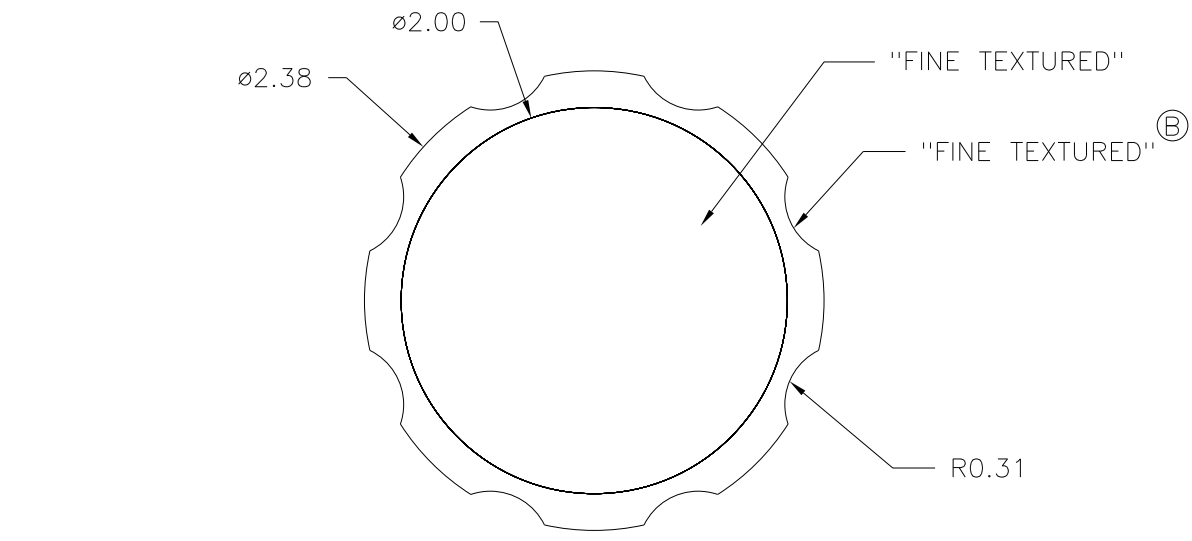
PART NAME: KNOB SCALE: 1:1 DATE: 3/3/92 DR. BY HD

THIS DRAWING IS THE PROPERTY OF DAVIES MOLDING COMPANY, IS SUBMITTED SOLELY AS A DESIGN OR ENGINEERING PROJECT. WE ACCEPT NO RESPONSIBILITY WHATSOEVER FOR THE PRACTICAL APPLICATION OF THE PIECES MADE TO THIS DESIGN.



DESIGNERS & MANUFACTURERS OF KNOBS, HANDLES, CASES & CUSTOM PLASTIC COMPONENTS

P/N	4230-A
M NO.	73
(E) CAVITY	4230
CORE	4230
(C) CORE BUSHING	4230-Y
SLEEVE BUSHING	4230-Y
SLEEVE	4230-Y
PIN BUSHING	4230-Y
PIN	4230-A
INSERT	10528
(D)	
M NO.	FRAME 2
CAVITY	4230
CORE	4230
CORE PIN	4230-Y
SLEEVE	4230-Y
PIN	4230-A
INSERT	10528
SHIM (BUTTON)	0.025
SHIM (PIN)	0.020



(B) MATERIAL: 20% TALC FILLED POLYPROPYLENE
COLOR: BLACK

(A)

TOLERANCES: UNLESS OTHERWISE SPECIFIED	DO NOT SCALE DRAWING
DECIMALS: X.XXX ± .005 X.XX ± .015	MM: X.XX ± 0.15MM X.X ± 0.4MM
FRACTIONS ± 1/64	ANG. ± 1°

F	UPDATED DIMENSIONS TO MATCH TOOLING	JAM	11/21/01
E	UPDATED TOOLBOX	JAM	10/8/01
D	ADDED FRAME 2 TOOLING BOX. REARRANGED PRINT CORRECTLY	TS	3/15/2001
C	WAS P/N# 4230-A. ADDED CORE BUSHING, WAS 1.25 DIA.HUB	HD	2/2/98
B	ADDED R0.06, TEXTURED WAS RE-6225,RE-6310, MAT'L WAS POLYPRO.	HD	1/28/98
A	ADDED NEW TOL. BLOCK	HD	6/12/96
-	CAD/REDRAWN	HD	6/28/94

CHANGES

X-ON Electronics

Largest Supplier of Electrical and Electronic Components

Click to view similar products for [Knobs & Dials](#) category:

Click to view products by [Davies Molding](#) manufacturer:

Other Similar products are found below :

[61-9028.20](#) [61-9028.9](#) [8529](#) [8573](#) [9-1437622-4](#) [11K5015-EMNB](#) [11K5019-ECNB](#) [11K5020-KLAB](#) [11K5028-JMNG](#) [11K5048-KMNB](#)
[11K5014-EMNB](#) [11K5015-EMNG](#) [11K5019-EMNB](#) [11K5029-KMNG](#) [P400S-08-D6-N](#) [K6510](#) [KNSL500B1/8](#) [AL811BA18](#) [420031B18](#)
[5006](#) [KB700BA1/4](#) [KS700B14](#) [5149A](#) [52-928.20](#) [52-928.60](#) [52-928.9](#) [8517](#) [8546](#) [8570](#) [8572](#) [H-516-3A](#) [P861H-0X-S6](#) [8544](#) [11K5014-](#)
[JMNG](#) [11K5014-KMNG](#) [11K5014-ECNG](#) [5700E](#) [KA500B18](#) [KFS600B14](#) [KN900AB14](#) [KFS500B14](#) [KNS501B18](#) [PKD60B1018](#)
[PK1100B18](#) [PKES140B14](#) [PKES150B14](#) [PKJT70B14](#) [5002-5](#) [420061B1/4](#) [61-9028.60](#)