

Rohde

FG

Handle Series FG11

Manageable functional handle.

Material and surface:
Polyamide PA 6, black with fine structure.

Function elements:
Type 1: Flat push button with red or green LED.

Type 2: Raised push button with red or green LED (convenient in case of a longer duration of activation).

Connection A:
8-pin connector at the mounting surface of the handle. Coupling with 10 m ready made cable available as accessories.

Connection B:
The 5 m connection cable leading out of the mounting surface of the handle shank.

Protection class:
IP 65 (for version A with screwed coupling).




Typ




Connection



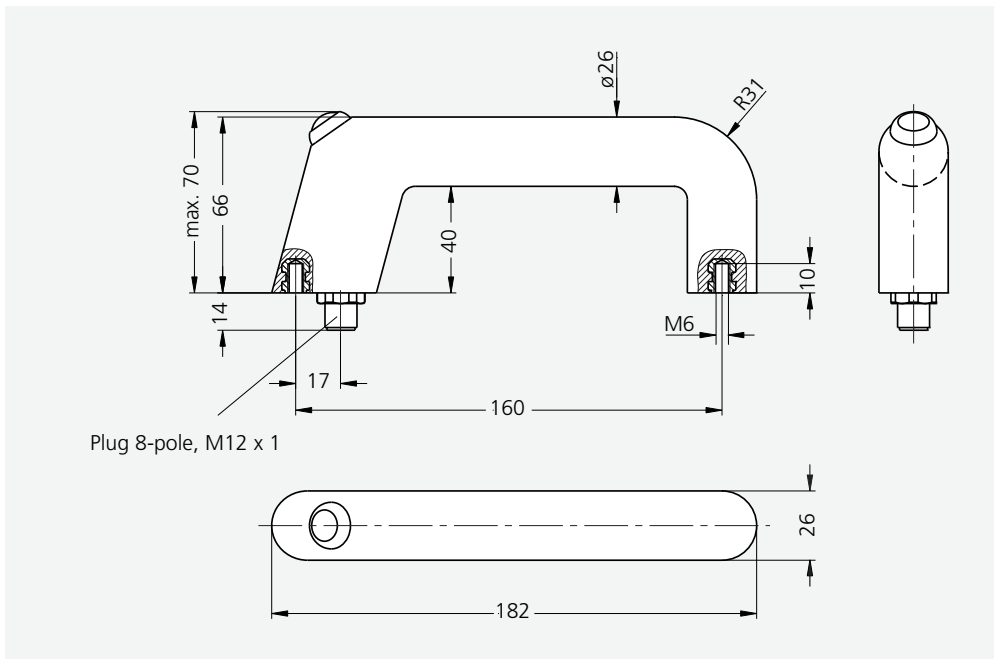
		Connection		
		A Plug		B Cable
Typ		A	Order no.	Order no.
1	green	160	FG11-3SG.160.84	FG11-3KG.160.84
	red	160	FG11-3SR.160.84	FG11-3KR.160.84
2	green	160	FG11-4SG.160.84	FG11-4KG.160.84
	red	160	FG11-4SR.160.84	FG11-4KR.160.84

Handle accessories

Coupling with cable 8-pole (M12 x 1)

	L	Order no.
	10 m	FZ-KS.G08.10





Technical data

FG11

Push button, LED (1 NC + 1 NO contact)	
Push button	24 V AC/DC max. 1 A
Operating voltage LED	24 V DC (12 V DC optional)
Connection type	8-pole, M12 x 1
Connector assignment (Plug side view)	
Mounting cutout	



Door solenoid tumbler see page 304–305.



X-ON Electronics

Largest Supplier of Electrical and Electronic Components

Click to view similar products for [Davies Molding](#) manufacturer:

Other Similar products are found below :

[0020CN](#) [0025](#) [0025AN](#) [0025BN](#) [0025DF](#) [0025FG](#) [0025FJ](#) [0025-Q](#) [0030](#) [0030BE](#) [0030BF](#) [0030BG](#) [0030-C](#) [0030-R](#) [0030-S](#) [0033AG](#)
[0033AH](#) [0033AJ](#) [0033AN](#) [0033-F](#) [0033-L](#) [0035-D](#) [0035HX](#) [0035HY](#) [0040-A](#) [0055EZ](#) [0065](#) [0065-AG](#) [0065GC](#) [0066-R](#) [0070AC](#) [0073-B](#)
[0073BB](#) [0073-C](#) [0073-E](#) [0073-V](#) [0073-Z](#) [0130](#) [0130-A](#) [0211](#) [0220](#) [0220-A](#) [0221](#) [0230](#) [0240](#) [0240-B](#) [0241](#) [0251](#) [0260-K](#) [0261](#)