



Handle Series FG15

Material and surface:

Handle shanks and handle ledge made of stainless steel 1.4305. Surface vibration ground, blasted and electro-polished with a semi-gloss finish. Push button made of stainless steel.

Type A:

With curved handle ledge and one shank.

Type B:

With straight handle ledge and 2 shanks.

Function elements:

One push button, as a change-over contact.

Connection:

5 m connection cable leading out of the screw-on surface of the handle shank.

Protection class:

IP 65.

Note:

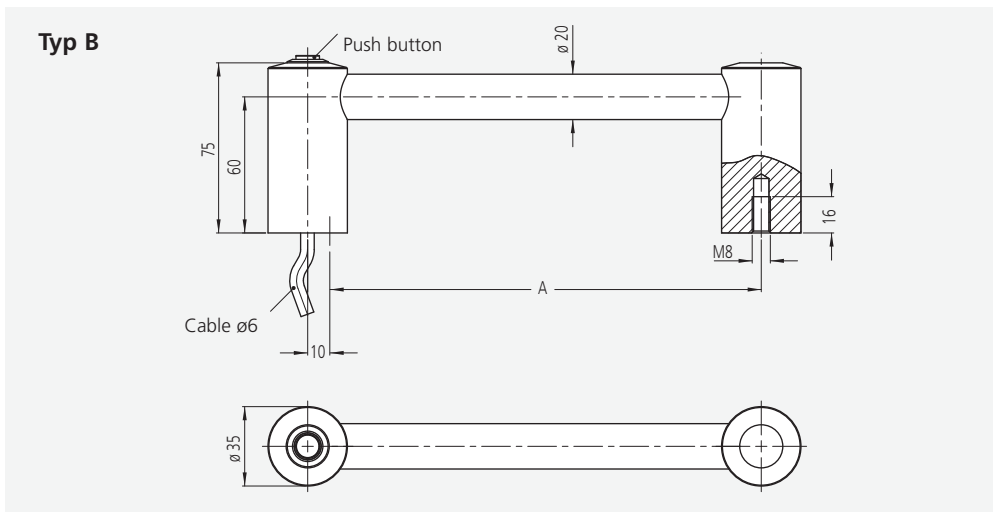
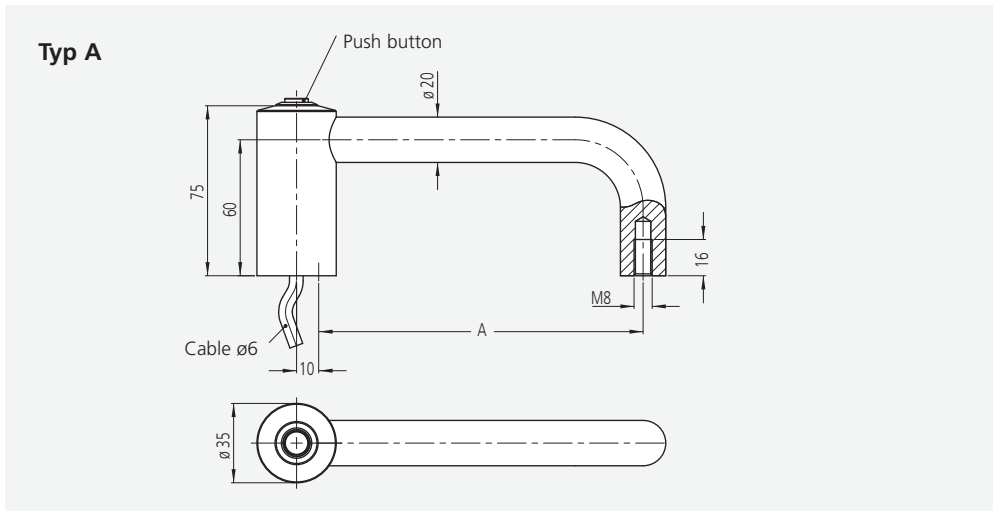
Other handle lengths and push button assignments possible. Opposite handle without electrical function by request.

Connection



	Typ A	Typ B
	Ledge curved	Ledge straight
A*	Order no.	Order no.
150	FG15-A01.150.36	-
180	-	FG15-B01.180.36

* Other handle lengths on request



Technical data

Push button (change-over contact)	
Push button	24 V AC/DC max. 1 A
Operating voltage LED	24 V DC (12 V DC optional)
Connection type	cable 8-pole
Mounting cutout	

All dimensions in mm.



X-ON Electronics

Largest Supplier of Electrical and Electronic Components

Click to view similar products for [Davies Molding](#) manufacturer:

Other Similar products are found below :

[0020CN](#) [0025](#) [0025AN](#) [0025BN](#) [0025DF](#) [0025FG](#) [0025FJ](#) [0025-Q](#) [0030](#) [0030BE](#) [0030BF](#) [0030BG](#) [0030-C](#) [0030-R](#) [0030-S](#) [0033AG](#)
[0033AH](#) [0033AJ](#) [0033AN](#) [0033-F](#) [0033-L](#) [0035-D](#) [0035HX](#) [0035HY](#) [0040-A](#) [0055EZ](#) [0065](#) [0065-AG](#) [0065GC](#) [0066-R](#) [0070AC](#) [0073-B](#)
[0073BB](#) [0073-C](#) [0073-E](#) [0073-V](#) [0073-Z](#) [0130](#) [0130-A](#) [0211](#) [0220](#) [0220-A](#) [0221](#) [0230](#) [0240](#) [0240-B](#) [0241](#) [0251](#) [0260-K](#) [0261](#)