

Handle Series FG16-01 FG16-04

Material and surface:
Handle shanks made of high strength polyamide PA 6, black with fine structure. Handle ledge made of lathed PVC black.

Function elements:
FG16-01:

Push button (change-over contact)
2 LED's.

FG16-04:

Emergency-stop (2 NC contacts)
Push button (change-over contact)
2 LED's

FG16-00:

Basic handle, as FG16-01 and FG16-04, but without switch elements as counter-handle.

Connection:

8-pole or 12-pole connector positioned at the tubular axle of the handle ledge in the handle shank.
Coupling with 10 m ready-made cable available as accessory.

Protection class:

IP 65 with coupling screwed on.

Note:

With connection cable other push button assignment or other handle lengths on request.



FG16-00.180.84

Counter-handle without electrical function elements.


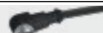


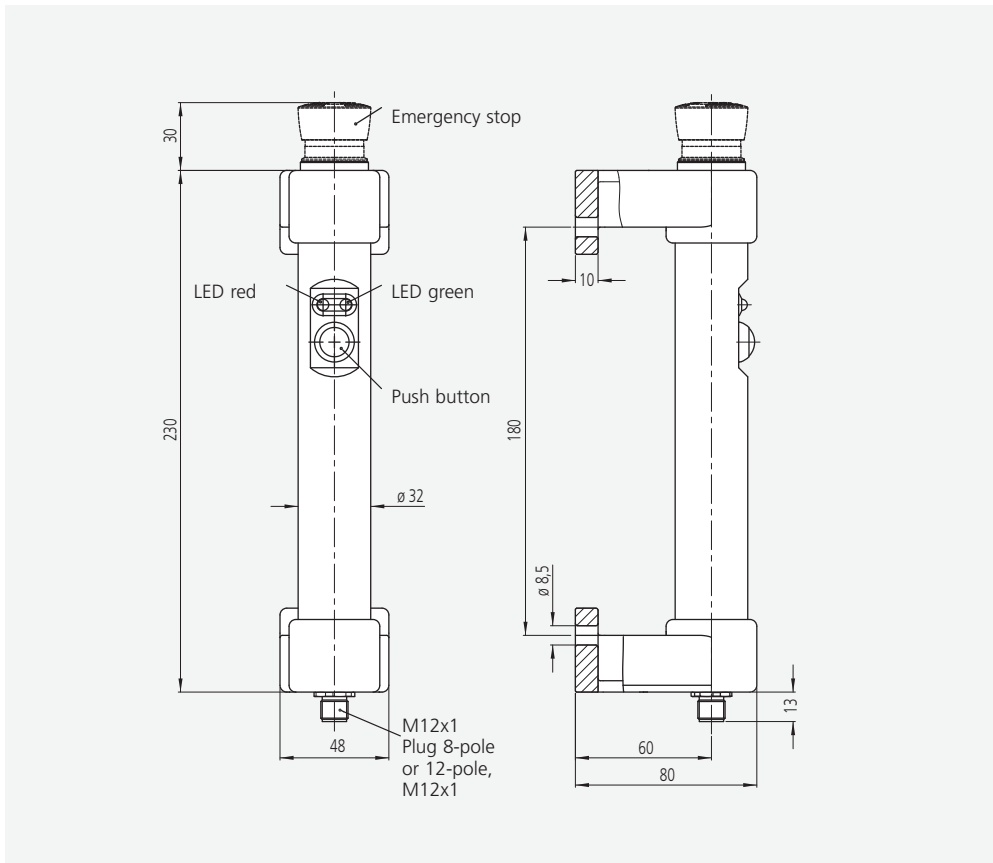
Typ FG16-01



Typ FG16-04

Switching function	Order no.
without switch elements	FG16-00.180.84
Push button and 2 LED's	FG16-01S.180.84
Emergency stop, push button and 2 LED's	FG16-04S.180.84
Other handle lengths on request	

		Handle accessories	
		Coupling with cable 8-pole (M12 x 1)	12-pole (M12 x 1)
	L	Order no.	Order no.
	10 m	FZ-KS.G08.10	FZ-KS.G12.10
	10 m	FZ-KS.W08.10	FZ-KS.W12.10



Technical data

Typ	FG16-01	FG16-04
Emergency stop (2 NC contacts)	without	
Push button (1 change-over contact)		
LED red/green		
Emergency stop	-	1-42 V AC/DC max. 100 mA
Push buttons	24 V AC/DC max. 1,5 A	
Operating voltage LED	24 V DC (12 V optional)	
Connection type	8-pole M12 x 1	12-pole M12 x 1
Connector assignment (Plug side view)		

All dimensions in mm.



X-ON Electronics

Largest Supplier of Electrical and Electronic Components

Click to view similar products for [Davies Molding](#) manufacturer:

Other Similar products are found below :

[0020CN](#) [0025](#) [0025AN](#) [0025BN](#) [0025DF](#) [0025FG](#) [0025FJ](#) [0025-Q](#) [0030](#) [0030BE](#) [0030BF](#) [0030BG](#) [0030-C](#) [0030-R](#) [0030-S](#) [0033AG](#)
[0033AH](#) [0033AJ](#) [0033AN](#) [0033-F](#) [0033-L](#) [0035-D](#) [0035HX](#) [0035HY](#) [0040-A](#) [0055EZ](#) [0065](#) [0065-AG](#) [0065GC](#) [0066-R](#) [0070AC](#) [0073-B](#)
[0073BB](#) [0073-C](#) [0073-E](#) [0073-V](#) [0073-Z](#) [0130](#) [0130-A](#) [0211](#) [0220](#) [0220-A](#) [0221](#) [0230](#) [0240](#) [0240-B](#) [0241](#) [0251](#) [0260-K](#) [0261](#)