

Handle series FG4-E

Handles with electrical switching functions by keypad.

Material and surface:

Handle shanks of polyamide PA 6, glass ball reinforced, black, similar to RAL 9005, half-matt with fine structure. Connecting tube of profiled aluminium AlMgSi 0.5; glass ball blasted, natural coloured anodized.

Versions:

Keypad with 2 resp. 4 free optional push buttons. Both buttons on top are additionally fitted with LEDs. Button labelling as standard with F1 to F4 or individually on customers request.

Connection:

12-pole, coupling with 10 m ready made cable as accessories available.

Protection class:

The protection class conforms to IP 65 with the coupling attached.

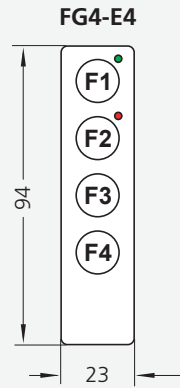
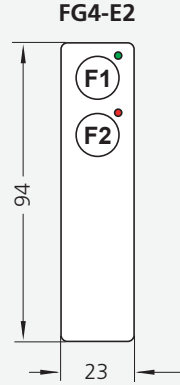
Note:

Other handle lengths on request. Handle versions without switch function see page 33.



product
design
award

2006



Version keypad

with 2 buttons

with 4 buttons

FG4-E2

FG4-E4

A*

L

Order no.

Order no.

350

410

FG4-E2.350.11

FG4-E4.350.11

* Other handle lengths on request

Handle accessories

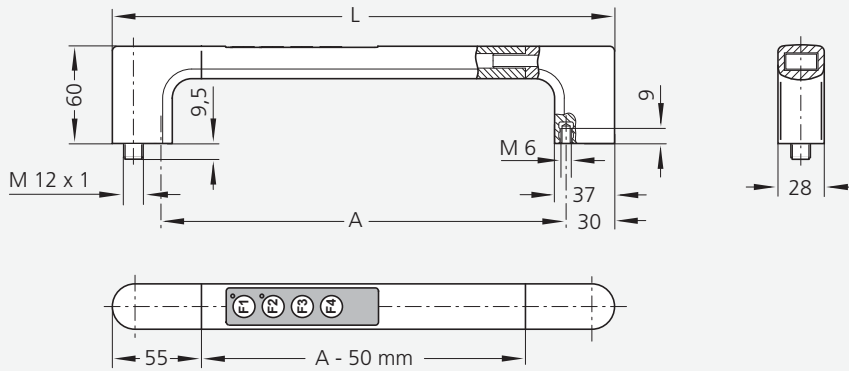


10 m cable welded to coupling

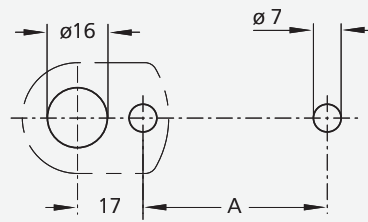
Order no.

12-pole (M12 x 1)

FZ-KS.W12.10



Mounting cutout



Technical data

Typ	FG4-E2	FG4-E4
Button F1	LED green GY(8)	BU(2) BN(1)
Button F2	LED red GY(8)	VT(10) GN(4) WH(3)
Button F3	without	YE(6) PK(5)
Button F4	without	RD(9) BK(7)
Switching voltage	min. 100 mV AC/DC max. 25 V AC / 42 V DC	
Switching current	max. 100 mA	
Switching power	max. 0,6 W	
Operating voltage LED	24 V DC (12 V DC optional)	
Connection type	12-pole, M12 x 1	
Connector assignment (Plug side view)		



Door solenoid tumbler see page 304-305.



X-ON Electronics

Largest Supplier of Electrical and Electronic Components

Click to view similar products for [Electrical Enclosure Accessories](#) *category:*

Click to view products by [Davies Molding](#) *manufacturer:*

Other Similar products are found below :

[60121-06-028 C-325 Black](#) [71884-04-028 CM3-100 Black](#) [71884-18-028 LH43-200 Black](#) [71884-24-028 LH75-200 Black](#) [71885-01-028 CM6-150 Black](#) [72459-02-028 DM-3 BLACK](#) [72459-03-028 DM-4 BLACK](#) [81501-01-000 XPL, 9VB Black](#) [82402-01 PT-8 ALUM](#) [1307GSKTSC](#) [1335GSKT3](#) [14101FP-PK](#) [BAS-5104](#) [CB-1263-BT](#) [HM BLACK PANEL](#) [61033-01-000](#) [115123-01-508 CN-RL RS](#) [115124-01-508 CN-XRL XRS](#) [115119-01-000 CN-RL RS](#) [115123-01-000 CN-RL RS](#) [60121-04-028 C-275 Black](#) [60128-01-072](#) [60222-01-028 CM6-225 Black](#) [60272-01-028 CM3-150 Black](#) [60851-01-028 CM69-120 Black](#) [62452-01-000 HML-9VB, EB Black](#) [71884-25-028 LH89-130 Black](#) [AXX2POSTBRCKT](#) [FUPMESK](#) [71884-23-028 LH75-130 Black](#) [1317GSKTSC](#) [8G813V40389](#) [8G820V40620](#) [DVC.1-20-12-30-M6-18-70](#) [DVC.1-20-14-30-M6-18-70](#) [96178](#) [096H10630E](#) [GN 505-10-M8-MB](#) [GN 963-45-45-45-SW](#) [GN 967-20-20-L-2-ZB](#) [1.325.1300.20](#) [52010360](#) [53801090](#) [53801115](#) [AXX2POSTBRCKT 918808](#) [OBOX-385-NBR-M](#) [USPE-16.08](#) [60242-02-028 CM5-200 Black](#) [DIN 7603-AL-14-18-A](#) [DIN 7603-AL-16-20-A](#) [DIN 7603-AL-20-24-A](#)