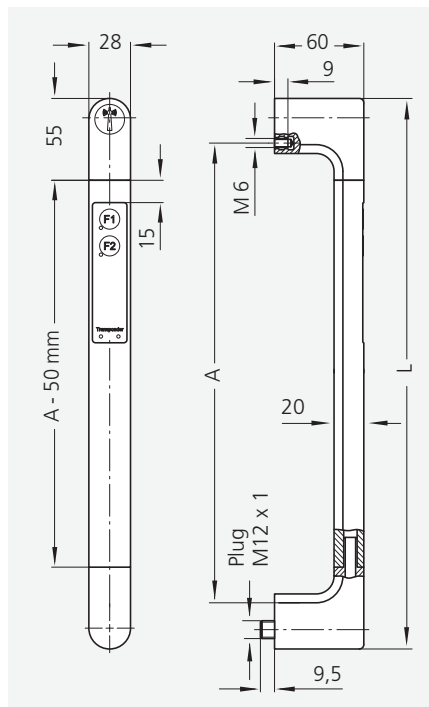
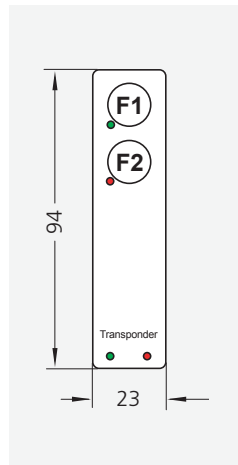




product
design
award

2006



Handle

A*	L	Order no.
350	410	FG4-T2.350.11

* Other handle lengths on request

Transponder version

Transponder version	Order no.
Blank card	FZ-TP.001
Key fob	FZ-TP.002
Watch dummy	FZ-TP.003

Handle accessories



10 m cable welded to coupling 12-pole (M12 x 1)	Order no.
	FZ-KS.W12.10

Technical data

Button F1	
Button F2	
Transponder Relais	
Operational voltage Transponder LED	12/24 V DC 24 V DC
Switching voltage	min. 100 mV AC/DC • max. 25 V AC / 42 V DC
Switching current	max. 100 mA
Switching power	max. 0,6 W
Connection type	12-pole, M12 x 1

Transponder handle FG4-T

Versions:

Keypad with 2 optional push buttons and 2 LEDs. Button labelling as standard with F1 to F2 or on customers request.

Integrated transponder reader in upper handle shank with a range of approx. 15 cm. Transponder in 3 different versions.

Connection:

12-pole, coupling with 10 m ready made cable available as accessory .

Note:

Further handle lengths, other transponder versions and labelling on request.

Types of transponder



FZ-TP.001*



FZ-TP.002*



FZ-TP.003*

*) labelling on customers request

X-ON Electronics

Largest Supplier of Electrical and Electronic Components

Click to view similar products for [Electrical Enclosure Accessories](#) *category:*

Click to view products by [Davies Molding](#) *manufacturer:*

Other Similar products are found below :

[60121-06-028 C-325 Black](#) [71884-04-028 CM3-100 Black](#) [71884-18-028 LH43-200 Black](#) [71884-24-028 LH75-200 Black](#) [71885-01-028 CM6-150 Black](#) [72459-02-028 DM-3 BLACK](#) [72459-03-028 DM-4 BLACK](#) [81501-01-000 XPL, 9VB Black](#) [82402-01 PT-8 ALUM](#) [1307GSKTSC](#) [1335GSKT3](#) [14101FP-PK](#) [BAS-5104](#) [CB-1263-BT](#) [HM BLACK PANEL](#) [61033-01-000](#) [115123-01-508 CN-RL RS](#) [115124-01-508 CN-XRL XRS](#) [115119-01-000 CN-RL RS](#) [115123-01-000 CN-RL RS](#) [60121-04-028 C-275 Black](#) [60128-01-072](#) [60222-01-028 CM6-225 Black](#) [60272-01-028 CM3-150 Black](#) [60851-01-028 CM69-120 Black](#) [62452-01-000 HML-9VB, EB Black](#) [71884-25-028 LH89-130 Black](#) [AXX2POSTBRCKT](#) [FUPMESK](#) [71884-23-028 LH75-130 Black](#) [1317GSKTSC](#) [AXX2POSTBRCKT 918808](#) [USPE-16.08](#) [60242-02-028 CM5-200 Black](#) [60121-05-028 C-300 Black](#) [62178-01-028 CM69-180 Black](#) [71055-01-000 JM-42 Black](#) [FG13LH15A700S11](#) [IPV-67101-B](#) [CS-1016](#) [DVA.1-100-75-M16-41-55](#) [MHK1](#) [52005750](#) [52023603](#) [52122000](#) [52122010](#) [52122040](#) [53001030](#) [53102001](#) [53102020](#) [53102030](#)