

### Handle Series FG7

**Material and surface:**

Handle ledge  $\varnothing$  30 x 5 mm aluminium round tube AlMgSi 0.5; fine ground and black anodized. Handle shanks of polyamide PA 6, black with fine structure.

**Function elements:**

2 Push buttons up to 1A with LED. Type FG7-05 with additional emergency stop (2 NC contacts).

**Connection A:**

Coupling positioned at the tubular axle of the handle ledge in the handle shank.

**Connection B:**

Coupling positioned in the mounting surface of the handle shank.

**Connection C:**

The 5 m connection cable is guided out of the mounting surface of the handle shank.

The connection A and C are available with straight and chamfer handle shanks, as left and right-hand versions for use with double doors.

**Protection class:**

IP 65 (for the connecting A and B with screwed coupling).

**Note:**

Coupling with 10 m ready made cable available as accessories. Other handle lengths, anodized versions and illuminated emergency stop button on request.



**U7-30.G**

Counter-handle without electrical function elements s. p. 41.



**Typ FG7-05.G**  
with emergency stop



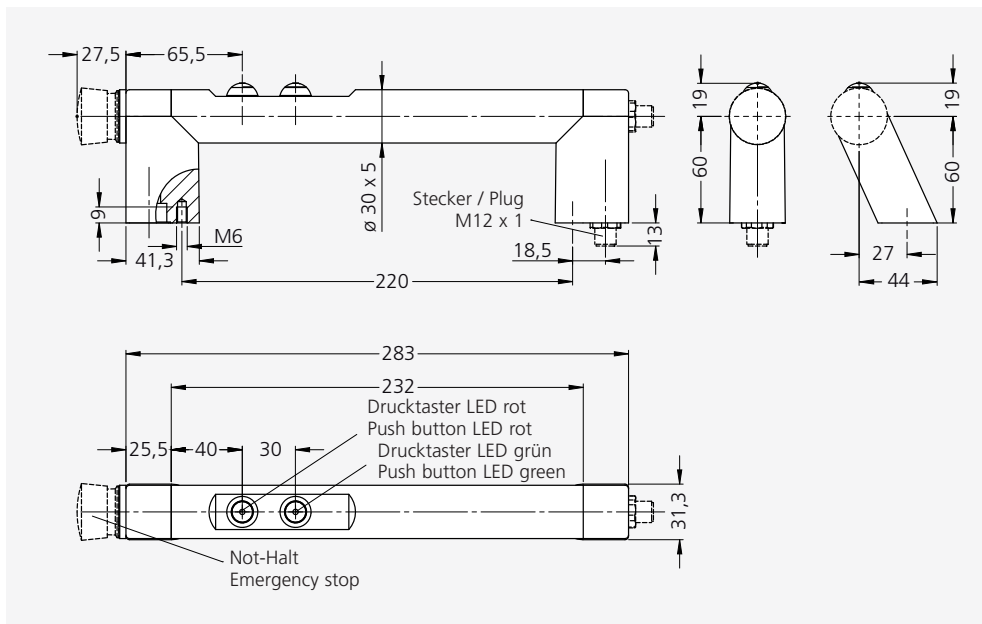
**Typ FG7-02.L**



**Connection**



		Switching version	
		without emergency stop, 2 push button	with emergency stop, 2 push button
Connecting		Order no.	Order no.
A	straight	FG7-02.GA220.04	FG7-05.GA220.04
	left	FG7-02.LA220.04	FG7-05.LA220.04
	right	FG7-02.RA220.04	FG7-05.RA220.04
B	straight	FG7-02.GB220.04	FG7-05.GB220.04
	straight	FG7-02.GC220.04	FG7-05.GC220.04
C	left	FG7-02.LC220.04	FG7-05.LC220.04
	right	FG7-02.RC220.04	FG7-05.RC220.04
		8-pole (M12 x 1)	12-pole (M12 x 1)
		Bestell-Nr. Order no.	Bestell-Nr. Order no.
10 m	L	FZ-KS.G08.10	FZ-KS.G12.10
		FZ-KS.W08.10	FZ-KS.W12.10



## Technical data

Typ	FG7-02	FG7-05
	with 2 push buttons	add. emergency stop
<b>Emergency stop</b> (2 NC contacts)	without	
<b>Push button LED red</b> (1 change-over contact)		
<b>Push button LED green</b> (1NO contact)		
<b>Emergency stop</b>	-	1-42 V AC/DC 100 mA
<b>Push buttons</b>	24 V AC/DC max. 1 A	
<b>Operating voltage LED</b>	24 V DC (12 V DC optional)	
<b>Connection type</b>	8-pole M12 x 1	12-pole M12 x 1
<b>Connector assignment</b> (Plug side view)		
<b>Mounting cutout</b>		

All dimensions in mm.



Door solenoid tumbler see page 304–305.

## X-ON Electronics

Largest Supplier of Electrical and Electronic Components

*Click to view similar products for* [Electrical Enclosure Accessories](#) *category:*

*Click to view products by* [Davies Molding](#) *manufacturer:*

Other Similar products are found below :

[60121-06-028 C-325 Black](#) [71884-04-028 CM3-100 Black](#) [71884-18-028 LH43-200 Black](#) [71884-24-028 LH75-200 Black](#) [71885-01-028 CM6-150 Black](#) [72459-02-028 DM-3 BLACK](#) [72459-03-028 DM-4 BLACK](#) [81501-01-000 XPL, 9VB Black](#) [82402-01 PT-8 ALUM](#) [1307GSKTSC](#) [1335GSKT3](#) [14101FP-PK](#) [BAS-5104](#) [CB-1263-BT](#) [HM BLACK PANEL](#) [61033-01-000](#) [115123-01-508 CN-RL RS](#) [115124-01-508 CN-XRL XRS](#) [115119-01-000 CN-RL RS](#) [115123-01-000 CN-RL RS](#) [60121-04-028 C-275 Black](#) [60128-01-072](#) [60222-01-028 CM6-225 Black](#) [60272-01-028 CM3-150 Black](#) [60851-01-028 CM69-120 Black](#) [62452-01-000 HML-9VB, EB Black](#) [71884-25-028 LH89-130 Black](#) [AXX2POSTBRCKT](#) [FUPMESK](#) [71884-23-028 LH75-130 Black](#) [1317GSKTSC](#) [AXX2POSTBRCKT 918808](#) [USPE-16.08](#) [60242-02-028 CM5-200 Black](#) [60121-05-028 C-300 Black](#) [62178-01-028 CM69-180 Black](#) [71055-01-000 JM-42 Black](#) [FG13LH15A700S11](#) [IPV-67101-B](#) [CS-1016](#) [DVA.1-100-75-M16-41-55](#) [MHK1](#) [52005750](#) [52023603](#) [52122000](#) [52122010](#) [52122040](#) [53001030](#) [53102001](#) [53102020](#) [53102030](#)