

Handle Series FG7

Material and surface:

Handle ledge \varnothing 30 x 5 mm aluminium round tube AlMgSi 0.5; fine ground and natural coloured anodized. Handle shanks of polyamide PA 6, black with fine structure.

Function element:

1 Push buttons with LED. Type FG7-04 with additional emergency stop (2 NC contacts).

Connection A:

Coupling positioned at the tubular axle of the handle ledge in the handle shank.

Connection B:

Coupling positioned at the mounting surface of the handle shank.

Connection C:

The 5 m connection cable is guided out of the mounting surface of the handle shank.

The connection A and C are available with straight and chamfer handle shanks, as left and right-hand versions for use with double doors.

Protection class:

IP 65 (for the versions A and B with screwed coupling).

Note:

Coupling with 10 m ready made cable available as accessories. Other handle lengths, anodized versions and illuminated emergency stop button on request.



U7-30.G

Counter-handle without electrical function elements s. p. 41.



Typ FG7-01.G

Typ FG7-04.R

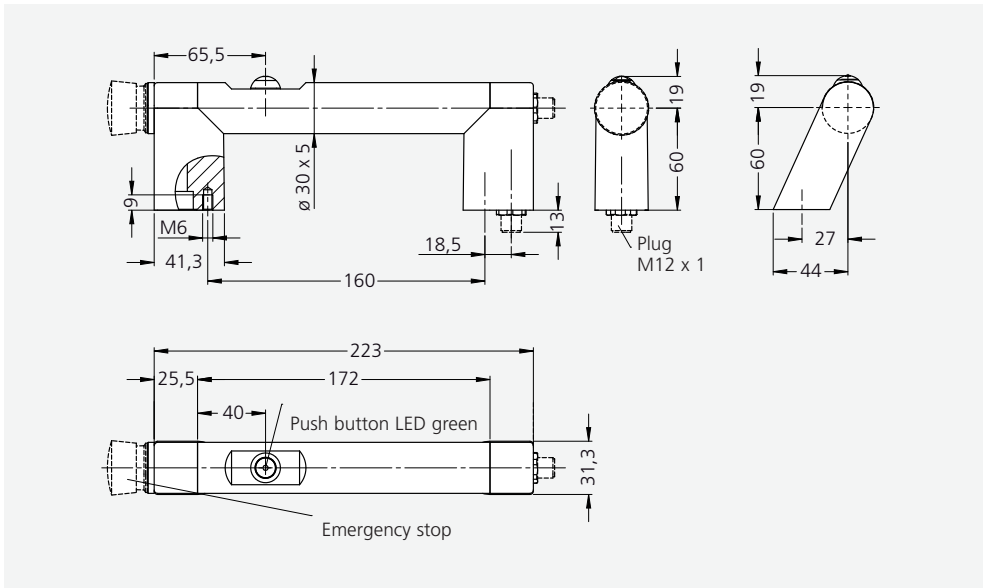
with emergency stop



Connection



		Switching version	
		without emergency stop, 1 push button	with emergency stop, 1 push button
Connection		Order no.	Order no.
A	straight	FG7-01.GA160.01	FG7-04.GA160.01
	left	FG7-01.LA160.01	FG7-04.LA160.01
	right	FG7-01.RA160.01	FG7-04.RA160.01
B	straight	FG7-01.GB160.01	FG7-04.GB160.01
	straight	FG7-01.GC160.01	FG7-04.GC160.01
C	left	FG7-01.LC160.01	FG7-04.LC160.01
	right	FG7-01.RC160.01	FG7-04.RC160.01
		Handle accessories	
		Coupling with cable 8-pole (M12 x 1)	12-pole (M12 x 1)
	L	Order no.	Order no.
	10 m	FZ-KS.G08.10	FZ-KS.G12.10
		FZ-KS.W08.10	FZ-KS.W12.10



Technical data

Typ	FG7-01	FG7-04
	with 1 push button	add. emergency stop
Emergency stop (2 NC contacts)	without	
Push button LED green (1 change-over contact)		
Emergency stop	-	1-42 V AC/DC 100 mA
Push button	24 V AC/DC max. 1 A	
Operating voltage LED	24 V DC (12 V DC optional)	
Connection type	8-pole M12 x 1	12-pole M12 x 1
Connector assignment (Plug side view)		
Mounting cutout		



Door solenoid tumbler see page 304-305.

X-ON Electronics

Largest Supplier of Electrical and Electronic Components

Click to view similar products for [Electrical Enclosure Accessories](#) *category:*

Click to view products by [Davies Molding](#) *manufacturer:*

Other Similar products are found below :

[60121-06-028 C-325 Black](#) [71884-04-028 CM3-100 Black](#) [71884-18-028 LH43-200 Black](#) [71884-24-028 LH75-200 Black](#) [71885-01-028 CM6-150 Black](#) [72459-02-028 DM-3 BLACK](#) [72459-03-028 DM-4 BLACK](#) [81501-01-000 XPL, 9VB Black](#) [82402-01 PT-8 ALUM](#) [1307GSKTSC](#) [1335GSKT3](#) [14101FP-PK](#) [BAS-5104](#) [CB-1263-BT](#) [HM BLACK PANEL](#) [61033-01-000](#) [115123-01-508 CN-RL RS](#) [115124-01-508 CN-XRL XRS](#) [115119-01-000 CN-RL RS](#) [115123-01-000 CN-RL RS](#) [60121-04-028 C-275 Black](#) [60128-01-072](#) [60222-01-028 CM6-225 Black](#) [60272-01-028 CM3-150 Black](#) [60851-01-028 CM69-120 Black](#) [62452-01-000 HML-9VB, EB Black](#) [71884-25-028 LH89-130 Black](#) [AXX2POSTBRCKT](#) [FUPMESK](#) [71884-23-028 LH75-130 Black](#) [1317GSKTSC](#) [AXX2POSTBRCKT 918808](#) [USPE-16.08](#) [60242-02-028 CM5-200 Black](#) [60121-05-028 C-300 Black](#) [62178-01-028 CM69-180 Black](#) [71055-01-000 JM-42 Black](#) [FG13LH15A700S11](#) [IPV-67101-B](#) [CS-1016](#) [DVA.1-100-75-M16-41-55](#) [MHK1](#) [52005750](#) [52023603](#) [52122000](#) [52122010](#) [52122040](#) [53001030](#) [53102001](#) [53102020](#) [53102030](#)