

PART NAME: Cable Glands

SCALE: 1:1

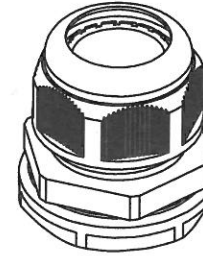
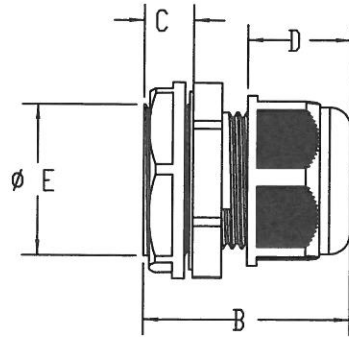
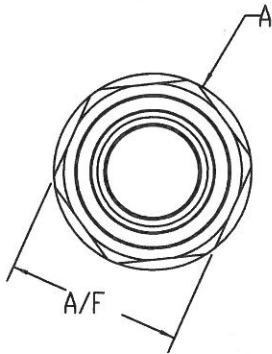
DATE: 11/30/18

DR. BY: JAM



P/N: Cable Gland

THIS DRAWING IS THE PROPERTY OF DAVIES MOLDING COMPANY, IS SUBMITTED SOLELY AS A DESIGN OR ENGINEERING PROJECT
WE ACCEPT NO RESPONSIBILITY WHATSOEVER FOR THE PRACTICAL APPLICATION OF THE PIECES MADE TO THIS DESIGN.



Metric Thread Cable Gland with O-Ring Data sheet

Part #	Threading Type	Cable Range (in mm)	A/F	ø A	B		C	D	ø E	*Panel/Junction Box	
					Min.	Max.				Thickness Range	Hole ø
GC1001-A	M12X1.5	3.5-6.5	15	16.00	27.50	30.50	8.50	12.50	12.00	0.56-1.99	12.50
GC1001-B	M16X1.5	5.5-8	18	20.00	31.00	35.50	8.50	16.50	16.00	0.56-1.99	16.50
GC1001-C	M20X1.5	8-12	24	26.00	32.50	38.00	9.00	17.50	20.00	0.56-1.99	20.50
GC1001-D	M25X1.5	10-14	27	30.00	35.00	40.00	10.00	19.00	25.00	0.56-1.99	25.50
GC1001-E	M32X1.5	14-18	37	40.50	38.00	44.00	10.00	21.50	32.00	0.56-1.99	33.00
GC1001-F	M40X1.5	19-25	45	50.00	47.50	53.50	10.00	26.50	40.00	0.56-1.99	41.00
GC1001-G	M50X1.5	25-32	54	60.50	55.50	64.00	12.50	30.50	50.00	0.56-3.18	51.00
GCL1001-H	M20X1.5	8-12	24	26.00	36.50	41.50	13.00	17.50	20.00	0.56-3.18	20.50
GCL1001-J	M25X1.5	10-14	27	30.00	40.00	44.50	15.00	19.00	25.00	0.56-3.18	25.50

MATERIAL: NYLON 6
COLOR: GREY

X-ON Electronics

Largest Supplier of Electrical and Electronic Components

Click to view similar products for [Cable Glands, Strain Reliefs & Cord Grips](#) category:

Click to view products by [Davies Molding](#) manufacturer:

Other Similar products are found below :

[1218](#) [1300980012](#) [1300980105](#) [DBZM-6828](#) [1498](#) [15190-103 R2](#) [300623](#) [07402002](#) [1151](#) [VC-M-KV-PG16 1X3/1X8](#) [5525](#) [9000005073](#)
[N16 025 0112 1](#) [M6106](#) [NG-9516 Gasket](#) [53629556](#) [53629570](#) [53629675](#) [52025230](#) [52024853](#) [53019051](#) [53112879](#) [53112929](#) [53119063](#)
[53015270](#) [53018090](#) [1300990004](#) [Z5.507.2321.0](#) [CGB295-SG](#) [SSTP-13.5](#) [SSTP-M50](#) [1.089.1399.19](#) [1.089.2106.19](#) [1.089.2901.19](#)
[1.089.2905.19](#) [1.089.3699.19](#) [V-TEC L PG29 LGR](#) [116 M63 LGR PA](#) [1.581.3200.51](#) [1.687.1601.50](#) [02A242](#) [4136](#) [SR2](#) [SR1](#) [M4364](#)
[M3249](#) [GPA M63-L](#) [1.597.1605.00](#) [1.597.2001.50](#) [1.597.2003.50](#)