

PART NAME: STANDOFF

SCALE: 2:1

DATE: 12/9/16

DR. BY: JAM

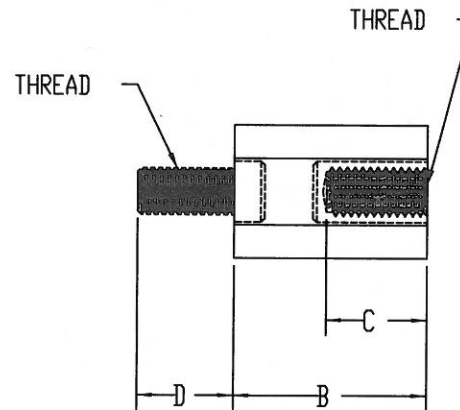
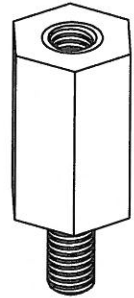


P/N:

SH1006

THIS DRAWING IS THE PROPERTY OF DAVIES MOLDING COMPANY, IS SUBMITTED SOLELY AS A DESIGN OR ENGINEERING PROJECT  
WE ACCEPT NO RESPONSIBILITY WHATSOEVER FOR THE PRACTICAL APPLICATION OF THE PIECES MADE TO THIS DESIGN.

DAVIES PART #	THREAD	A	B	C	D
SH1006-A	M5	12	20	4.2	8
SH1006-B	M5	12	25	4.2	8
SH1006-C	M5	12	30	7.5	8
SH1006-D	M5	12	35	7.5	8
SH1006-E	M5	12	40	7.5	8
SH1006-F	M5	12	45	7.5	8
SH1006-G	M5	12	50	7.5	8
SH1006-H	M5	12	55	7.5	8
SH1006-J	M5	12	60	7.5	8
SH1006-K	M5	12	65	7.5	8
SH1006-L	M5	12	70	7.5	8
SH1006-M	M5	12	75	7.5	8
SH1006-N	M5	12	80	7.5	8
SH1006-P	M5	12	85	7.5	8
SH1006-Q	M5	12	90	7.5	8
SH1006-R	M5	12	95	7.5	8
SH1006-S	M5	12	100	7.5	8
SH1006-T	M5	12	105	7.5	8



MATERIAL: NYLON  
COLOR: BLACK

STUD: STEEL  
INTERNAL INSERT: BRASS

A	UPDATED TABLE	JAM	10/11/18
CHANGES			

## X-ON Electronics

Largest Supplier of Electrical and Electronic Components

*Click to view similar products for [Standoffs & Spacers](#) category:*

*Click to view products by [Davies Molding](#) manufacturer:*

Other Similar products are found below :

[588-6208-02](#) [M0609-5-SS](#) [M0655-5-AL](#) [M0660-4-N](#) [M0671-5-N](#) [M0671-5-SS](#) [M0725-6-N](#) [M1273-3005-AL](#) [60187](#) [60202-SP](#) [60273](#)  
[60335-SP](#) [60348-SP](#) [60419-SP](#) [60425-SP](#) [60473-SP](#) [60475-SP](#) [60477-SP](#) [60489-SP](#) [60491-SP](#) [60585-SP](#) [60762-SP](#) [60763-SP](#) [60872-SP](#)  
[M1314-3005-AL](#) [M1314-3005-SS](#) [M1315-4007-N](#) [M1316-3005-N](#) [M1317-3506-SS](#) [M1320-3005-AL](#) [M1322-4007-N](#) [M1326-3005-AL](#)  
[M1577-B-4007-B](#) [M2122-2545-SS](#) [M2140-3005-N](#) [M2145-4007-N](#) [M2147-3506-N](#) [M2148-3005-N](#) [M2162-3506-SS](#) [M2162-4007-N](#)  
[M2162-4007-SS](#) [632A-9206-17](#) [634A-5005-19](#) [634A-7204-17](#) [636A-7108-17](#) [642A-9416-17](#) [643A-7615-19](#) [643A-9612-17](#) [647A-5013-17](#)  
[647A-9687-17](#)