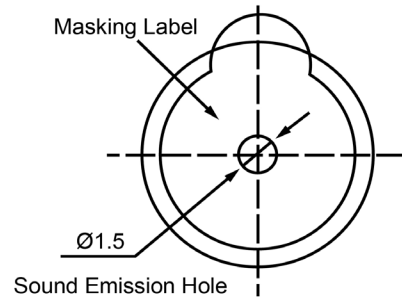
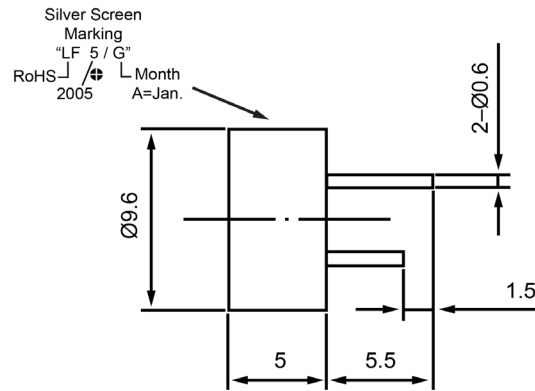


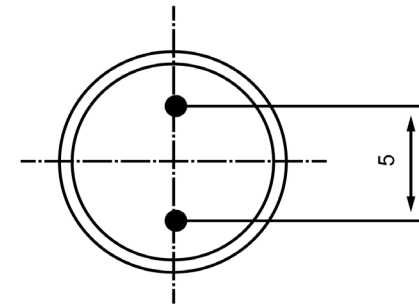
TOP VIEW




SIDE VIEW



BOTTOM VIEW



Specifications			Notes	Revision History											
Description	Value	Unit		Version	Description		Date	Approved							
Technology	Electro-Mechanical		1) All dimensions are in mm unless otherwise noted 2) All parts meet RoHS  <b>DB UNLIMITED</b>	1	Released from Engineering		10/21/2013	J.S							
Resonant Frequency	2,500	(Hz)													
Rated Voltage	3	(V)													
SPL @ 10cm	73	(dBA)													
Tone	Single														
Mount Type	Thru Hole														
Voltage Range	2 ~ 5	(V)													
Max Rated Current	20	(mA)													
Housing Material	NORYL														
Operating Temperature	-25 ~ +70	°C													
Storage Temperature	-25 ~ +70	°C													
Weight	1	(g)													
				Drawn by A.B.		Date 10/21/2013		Checked by C.E.		Date 10/21/2013		Approved by J.S		Date 10/21/2013	
				Electro-Mechanical Indicator				<b>IE092503-1</b>							

## X-ON Electronics

Largest Supplier of Electrical and Electronic Components

*Click to view similar products for [Piezo Buzzers & Audio Indicators](#) category:*

*Click to view products by [DB Unlimited](#) manufacturer:*

Other Similar products are found below :

[6-4](#) [68S1240-PA](#) [MBA-624](#) [FDG06PSLLF](#) [FDG111PLF](#) [F/EM12PLF](#) [F/NRMB 24 BLACK LF](#) [PF-35N29WQ](#) [PFD-21A29W](#) [PFD-27A35PQ](#) [PL-21N30WQ](#) [PL-27A35PSQ](#) [PLD-21N30W](#) [PLD-21N30WQ](#) [PS-531Q](#) [PT-3534FP](#) [EBPT-401](#) [B822B](#) [PB-1220PEQ](#) [S6109](#) [SBM616PR](#) [SC110E](#) [SC2036ACP](#) [SC616N-2](#) [SC628FW](#) [SC628MPG](#) [SC648D](#) [SCS045MD9DT3S](#) [ESZ-25B-5-250B](#) [FCM12PLF](#) [SSX-52SA](#) [F/EB20P-DR LF](#) [F/SMD03A LF](#) [FSMD8585JSLF](#) [F/TCW 12 WITH LABEL LF](#) [F/UCW 06 WITH LABEL LF](#) [PFD-27N36W](#) [PKM22EPPH40S1-B0](#) [PKM35-4A0](#) [PL-35N29WQ](#) [PLD-27A35PQ](#) [PS-552Q](#) [CM-5](#) [REF-202](#) [B/SE 128 RED LF](#) [KBS-20DA-7AS](#) [KBS-27DA-5C-105](#) [LSC628ANR](#) [03-810.001](#) [RTO-1R07-001](#)