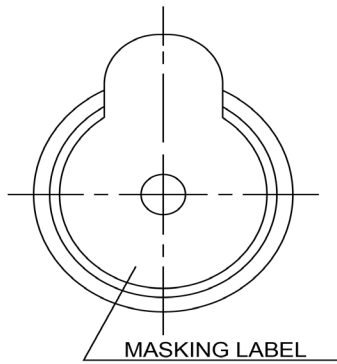
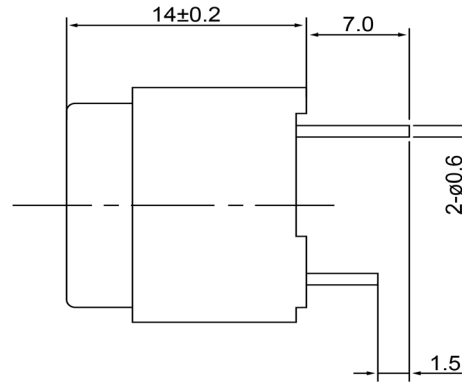


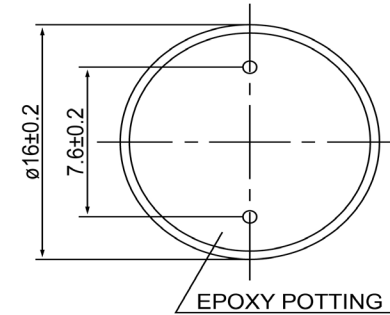
TOP VIEW




SIDE VIEW



BOTTOM VIEW



| Specifications | | | Notes | Revision History | | | | | | |
|---|--------------------|-------|--|------------------|---------------------------|-------------------|------------|----------|--|--|
| Description | Value | Unit | | Version | Description | | Date | Approved | | |
| Technology | Electro-Mechanical | | 1) All dimensions are in mm unless otherwise noted 2) All parts meet RoHS | 1 | Released from Engineering | | 10/21/2013 | J.S | | |
| Resonant Frequency | 2,300 | (Hz) | | | | | | | | |
| Rated Voltage | 12 | (V) | | | | | | | | |
| SPL @ 10cm | 85 | (dBA) | | | | | | | | |
| Tone | Single | | | | | | | | | |
| Mount Type | Thru Hole | | | | | | | | | |
| Voltage Range | 8 ~ 15 | (V) | | | | | | | | |
| Max Rated Current | 30 | (mA) | | | | | | | | |
| Housing Material | NORYL | | | | | | | | | |
| Operating Temperature | -30 ~ +70 | °C | | | | | | | | |
| Storage Temperature | -40 ~ +85 | °C | | | | | | | | |
| Weight | 7 | (g) | | | | | | | | |
|  DB UNLIMITED | | | Electro-Mechanical Indicator | | | IE162312-2 | | | | |
| | | | | | | | | | | |

X-ON Electronics

Largest Supplier of Electrical and Electronic Components

Click to view similar products for [Piezo Buzzers & Audio Indicators](#) category:

Click to view products by [DB Unlimited](#) manufacturer:

Other Similar products are found below :

[6-4](#) [68S1240-PA](#) [MBA-624](#) [FDG06PSLLF](#) [FDG111PLF](#) [F/EM12PLF](#) [F/NRMB 24 BLACK LF](#) [PF-35N29WQ](#) [PFD-21A29W](#) [PFD-27A35PQ](#) [PL-21N30WQ](#) [PL-27A35PSQ](#) [PLD-21N30W](#) [PLD-21N30WQ](#) [PS-531Q](#) [PT-3534FP](#) [EBPT-401](#) [B822B](#) [PB-1220PEQ](#) [S6109](#) [SBM616PR](#) [SC110E](#) [SC2036ACP](#) [SC616N-2](#) [SC628FW](#) [SC628MPG](#) [SC648D](#) [SCS045MD9DT3S](#) [ESZ-25B-5-250B](#) [FCM12PLF](#) [SSX-52SA](#) [F/EB20P-DR LF](#) [F/SMD03A LF](#) [FSMD8585JSLF](#) [F/TCW 12 WITH LABEL LF](#) [F/UCW 06 WITH LABEL LF](#) [PFD-27N36W](#) [PKM22EPPH40S1-B0](#) [PKM35-4A0](#) [PL-35N29WQ](#) [PLD-27A35PQ](#) [PS-552Q](#) [CM-5](#) [REF-202](#) [B/SE 128 RED LF](#) [KBS-20DA-7AS](#) [KBS-27DA-5C-105](#) [LSC628ANR](#) [03-810.001](#) [RTO-1R07-001](#)