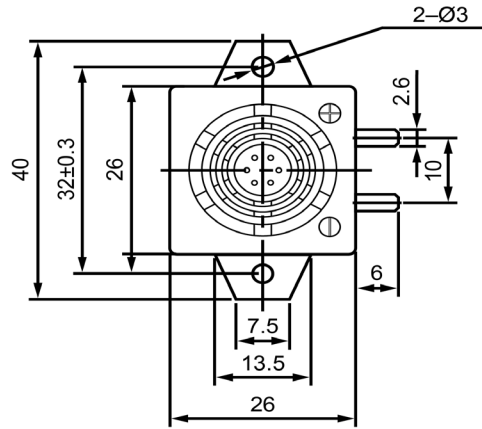
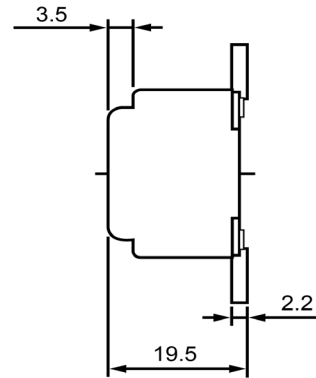



TOP VIEW



SIDE VIEW



Specifications			Notes	Revision History										
Description	Value	Unit		Version	Description	Date	Approved	Drawn by	Date	Checked by	Date	Approved by	Date	
Technology	Electro-Mechanical		1) All dimensions are in mm unless otherwise noted 2) All parts meet RoHS  DB UNLIMITED	1	Released from Engineering	10/21/2013	J.S	A.B.	10/21/2013	C.E.	10/21/2013	J.S	10/21/2013	
Resonant Frequency	400	(Hz)												
Rated Voltage	24	(V)												
SPL @ 10cm	95	(dBA)												
Tone	Single													
Mount Type	Flange Mount													
Voltage Range	20 ~ 28	(V)												
Max Rated Current	55	(mA)												
Housing Material	ABS													
Operating Temperature	-20 ~ +60	°C												
Storage Temperature	-30 ~ +70	°C												
Weight	17	(g)												
				Electro-Mechanical Indicator			IE260424-2							

X-ON Electronics

Largest Supplier of Electrical and Electronic Components

Click to view similar products for [Piezo Buzzers & Audio Indicators](#) category:

Click to view products by [DB Unlimited](#) manufacturer:

Other Similar products are found below :

[6-4](#) [68S1240-PA](#) [MBA-624](#) [FDG06PSLLF](#) [FDG111PLF](#) [PF-35N29WQ](#) [PFD-21A29W](#) [PFD-27A35PQ](#) [PL-21N30WQ](#) [PL-27A35PSQ](#) [PLD-21N30W](#) [PLD-21N30WQ](#) [PS-531Q](#) [PT-3534FP](#) [EBPT-401](#) [B822B](#) [PB-1220PEQ](#) [S6109](#) [SBM616PR](#) [SC110E](#) [SC2036ACP](#) [SC616N-2](#) [SC628FW](#) [SC628MPG](#) [SC648D](#) [SCS045MD9DT3S](#) [ESZ-25B-5-250B](#) [FCM12PLF](#) [SSX-52SA](#) [F/EB20P-DR LF](#) [F/SMD03A LF](#) [FSMD8585JSLF](#) [F/TCW 12 WITH LABEL LF](#) [F/UCW 06 WITH LABEL LF](#) [PFD-27N36W](#) [PKM22EPPH40S1-B0](#) [PKM35-4A0](#) [PL-35N29WQ](#) [PLD-27A35PQ](#) [PS-552Q](#) [CM-5](#) [REF-202](#) [B/SE 128 RED LF](#) [KBS-20DA-7AS](#) [KBS-27DA-5C-105](#) [LSC628ANR](#) [03-810.001](#) [RTO-1R07-001](#) [PL-21N31PQ](#) [F-B-P1405ISB LF](#)