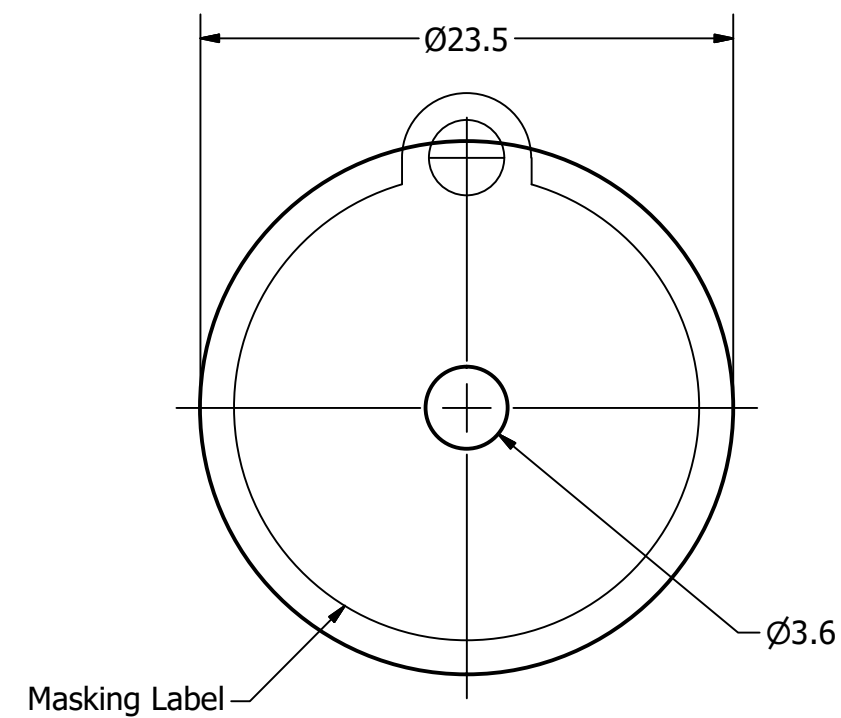
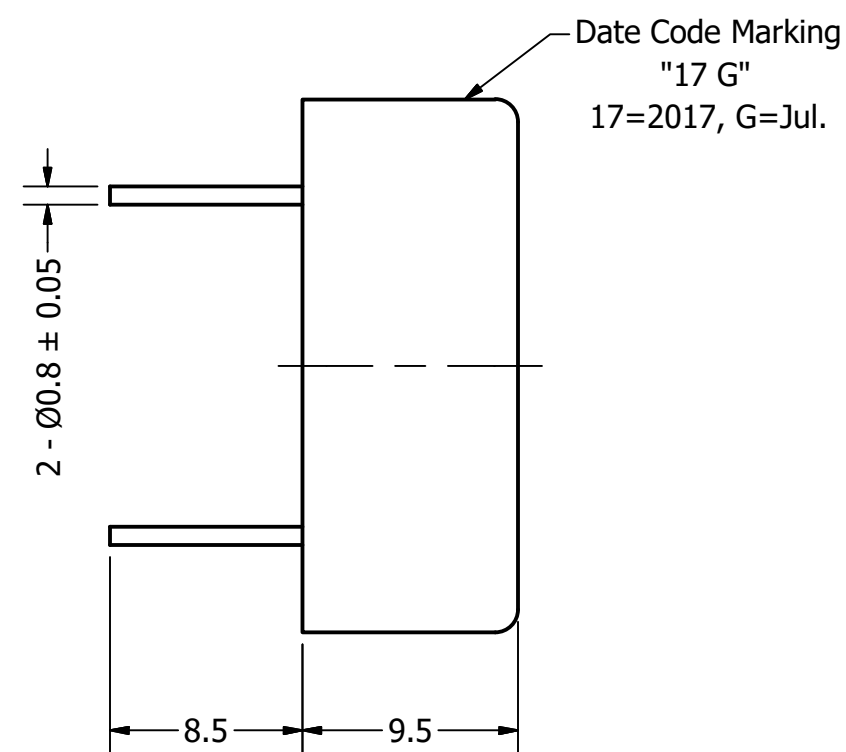


Part Number:	IP233412-1	
	DRAWN A.B.	10/21/2013
Description:	CHECKED C.E.	10/21/2013
	APPROVED J.S.	10/21/2013
	This document contains data proprietary to DB Unlimited. Any use or reproduction, in any form, without prior written permission of DB Unlimited is prohibited. All terms and conditions can be found at www.dbunlimitedco.com	

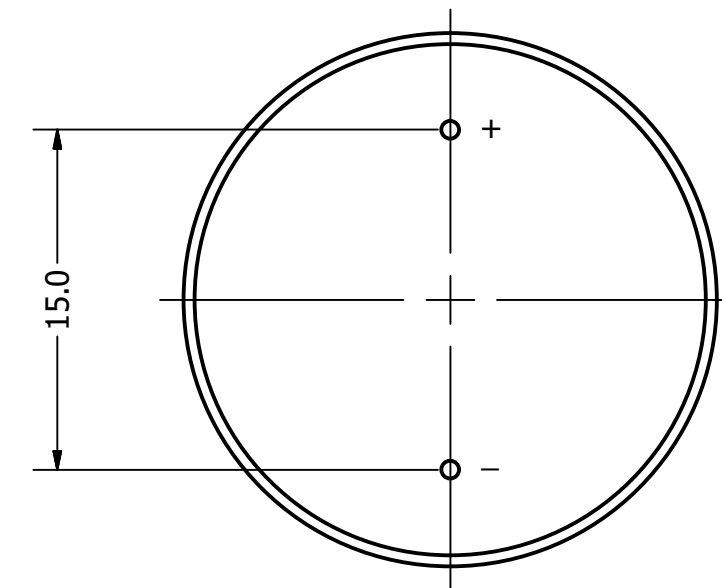
Top View



Side View



Bottom View



Items	Specifications	Conditions	REVISION HISTORY			
Sound Pressure Level	90	dB (@ 10cm)	REV	DESCRIPTION	DATE	APPROVED
Tone	Single		1	Released from Engineering	10/21/2013	J.S.
Resonant Frequency	3,400 ± 400	Hz		Show washtab, update temps, update to new template	7/5/2017	C.E.
Rated Voltage	12	V	NOTES			
Voltage Range	3 ~ 20	V	1) All dimensions are in mm unless otherwise noted			
Max. Rated Current	15	mA	2) All tolerances are ± 0.5 mm unless otherwise noted			
Storage Temperature	-40 ~ +85	°C	3) All parts meet RoHS			
Operating Temperature	-30 ~ +70	°C	4) Subject to change or redrawn without notice			
Connection Method	PC Pins					
Mount Type	Thru Hole					
Housing Material	Noryl					
Weight	4	g				

X-ON Electronics

Largest Supplier of Electrical and Electronic Components

Click to view similar products for [Piezo Buzzers & Audio Indicators](#) category:

Click to view products by [DB Unlimited](#) manufacturer:

Other Similar products are found below :

[6-4](#) [68S1240-PA](#) [MBA-624](#) [FDG06PSLLF](#) [FDG111PLF](#) [F/DGX12P WITH LABEL LF](#) [F/EM12PLF](#) [F/NRMB 24 BLACK LF](#) [PF-35N29WQ](#) [PFD-21A29W](#) [PFD-27A35PQ](#) [PL-21N30WQ](#) [PL-27A35PSQ](#) [PLD-21N30W](#) [PLD-21N30WQ](#) [PS-531Q](#) [PT-3534FP](#) [EBPT-401](#) [B822B](#) [PB-1220PEQ](#) [S6109](#) [SBM616PR](#) [SC110E](#) [SC2036ACP](#) [SC616N-2](#) [SC628FW](#) [SC628MPG](#) [SC648D](#) [SCS045MD9DT3S](#) [ESZ-25B-5-250B](#) [FCM12PLF](#) [SSX-52SA](#) [F/EB20P-DR LF](#) [F/SMD03A LF](#) [FSMD8585JSLF](#) [F/TCW 12 WITH LABEL LF](#) [F/UCW 06 WITH LABEL LF](#) [PFD-27N36W](#) [PKM22EPPH40S1-B0](#) [PKM35-4A0](#) [PL-35N29WQ](#) [PLD-27A35PQ](#) [PS-552Q](#) [CM-5](#) [REF-202](#) [B/SE 128 RED LF](#) [KBS-20DA-7AS](#) [KBS-27DA-5C-105](#) [LSC628ANR](#) [03-810.001](#)