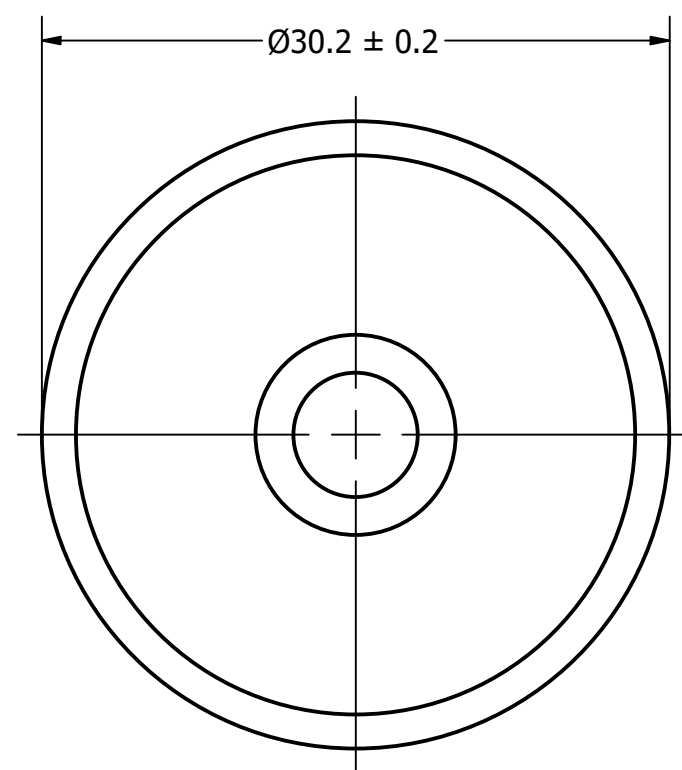




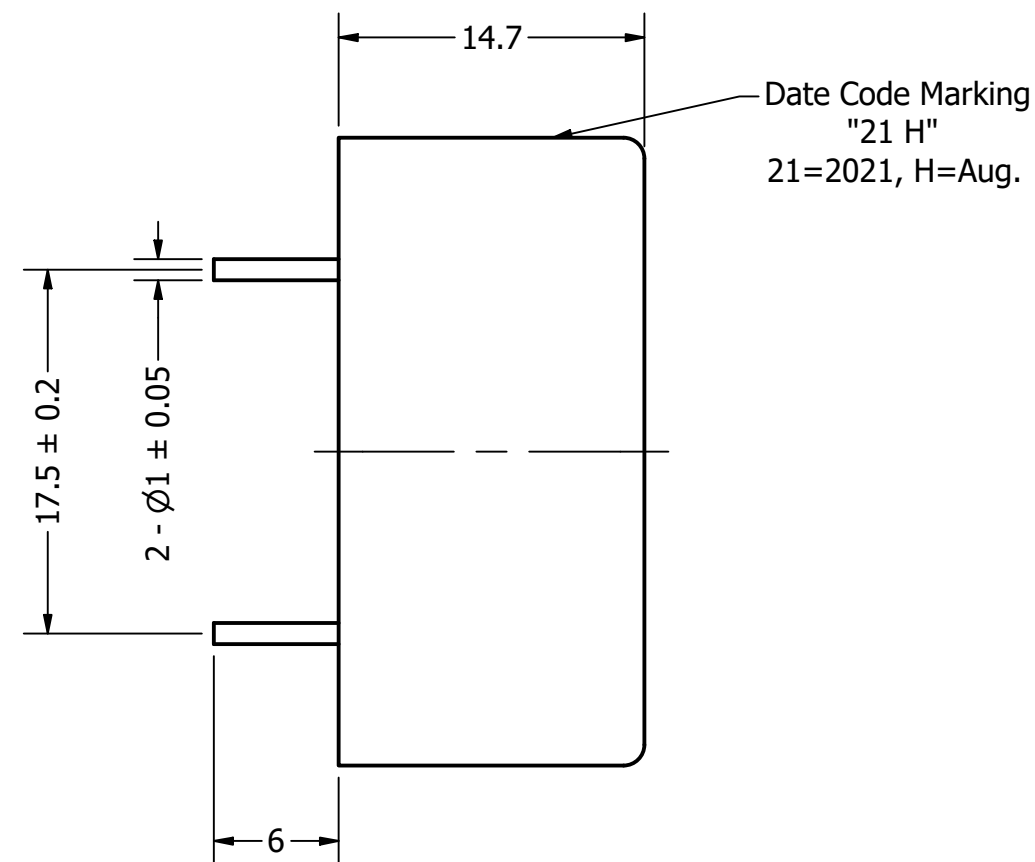
# DB UNLIMITED

Part Number:	IP303012-1	
	DRAWN CJ	8/9/2021
Description:	Piezo Indicator	
	CHECKED L.L.	8/10/2021
	APPROVED J.S.	8/10/2021
This document contains data proprietary to DB Unlimited. Any use or reproduction, in any form, without prior written permission of DB Unlimited is prohibited. All terms and conditions can be found at <a href="http://www.dbunlimitedco.com">www.dbunlimitedco.com</a>		

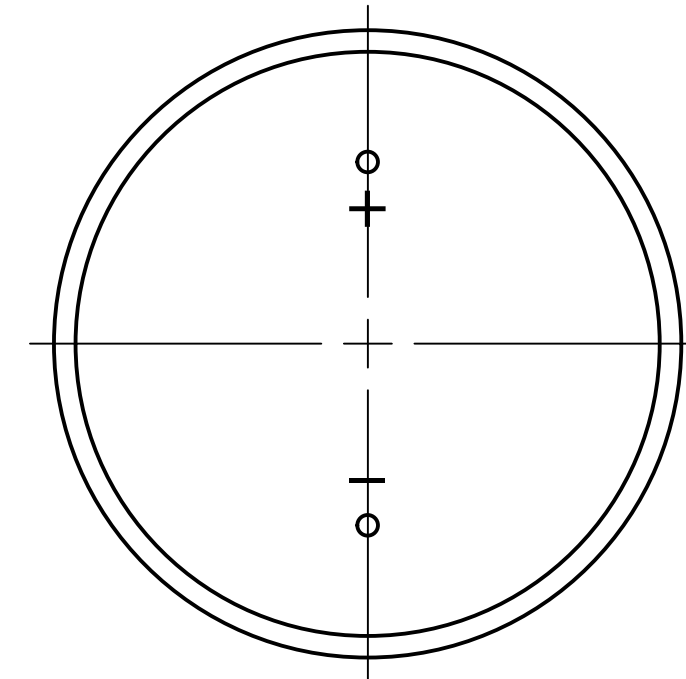
Top View



Side View



Bottom View



Items	Specifications	Conditions	REVISION HISTORY			
Min. Sound Pressure Level	100	dB (@ 10cm)	REV	DESCRIPTION	DATE	APPROVED
Tone	Single			Released from Engineering	10/21/2013	J.S.
Resonant Frequency	3,000	Hz	1	Updated drawing, temperature and weight	8/10/2021	L.L.
Rated Voltage	12	V	NOTES			
Voltage Range	3 ~ 20	V				
Max. Rated Current	10	mA				
Storage Temperature	-30 ~ +70	°C				
Operating Temperature	-20 ~ +60	°C	1) All dimensions are in mm unless otherwise noted			
Connection Method	PC Pin		2) All tolerances are ± 0.5 mm unless otherwise noted			
Mount Type	Thru Hole		3) All parts meet RoHS			
Housing Material	ABS		4) Subject to change or redrawn without notice			
Weight	7	g				

## X-ON Electronics

Largest Supplier of Electrical and Electronic Components

*Click to view similar products for [Piezo Buzzers & Audio Indicators](#) category:*

*Click to view products by [DB Unlimited](#) manufacturer:*

Other Similar products are found below :

[6-4](#) [68S1240-PA](#) [MBA-624](#) [FDG06PSLLF](#) [FDG111PLF](#) [F/EM12PLF](#) [F/NRMB 24 BLACK LF](#) [PF-35N29WQ](#) [PFD-21A29W](#) [PFD-27A35PQ](#) [PL-21N30WQ](#) [PL-27A35PSQ](#) [PLD-21N30W](#) [PLD-21N30WQ](#) [PS-531Q](#) [PT-3534FP](#) [EBPT-401](#) [B822B](#) [PB-1220PEQ](#) [S6109](#) [SBM616PR](#) [SC110E](#) [SC2036ACP](#) [SC616N-2](#) [SC628FW](#) [SC628MPG](#) [SC648D](#) [SCS045MD9DT3S](#) [ESZ-25B-5-250B](#) [FCM12PLF](#) [SSX-52SA](#) [F/EB20P-DR LF](#) [F/SMD03A LF](#) [FSMD8585JSLF](#) [F/TCW 12 WITH LABEL LF](#) [F/UCW 06 WITH LABEL LF](#) [PFD-27N36W](#) [PKM22EPPH40S1-B0](#) [PKM35-4A0](#) [PL-35N29WQ](#) [PLD-27A35PQ](#) [PS-552Q](#) [CM-5](#) [REF-202](#) [B/SE 128 RED LF](#) [KBS-20DA-7AS](#) [KBS-27DA-5C-105](#) [LSC628ANR](#) [03-810.001](#) [RTO-1R07-001](#)