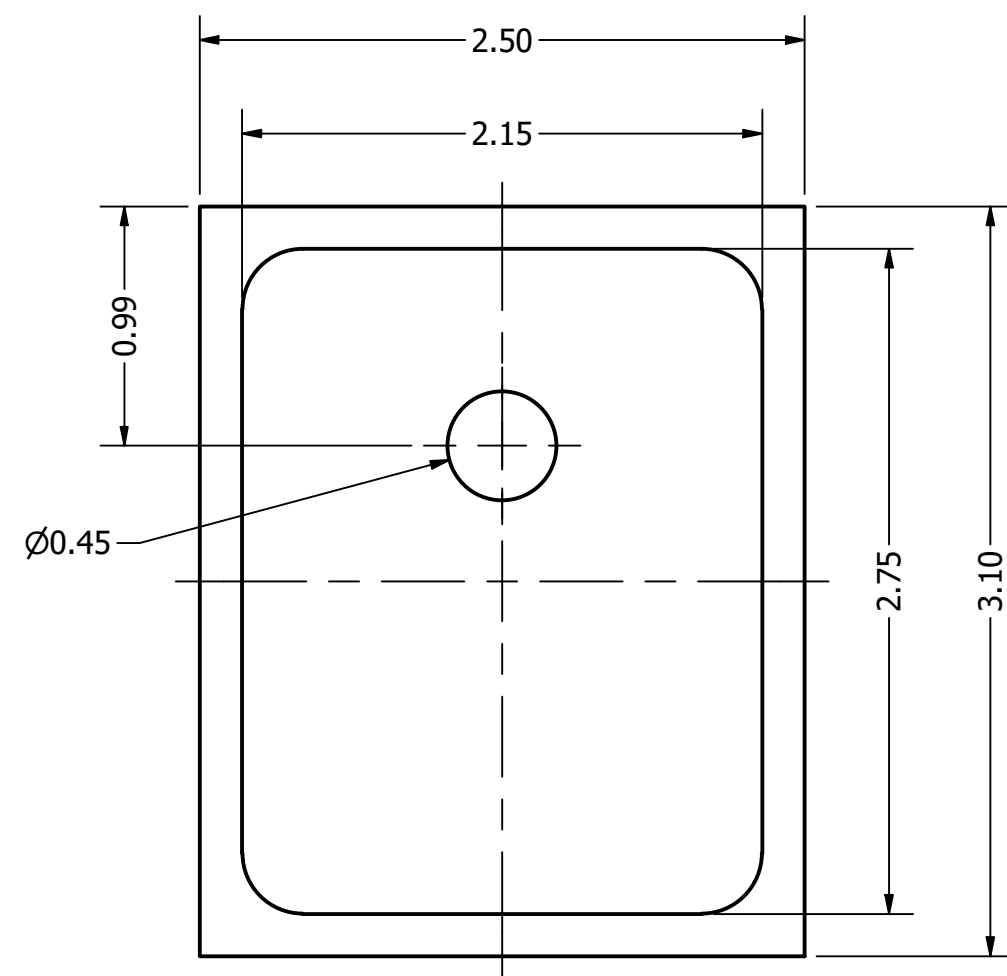




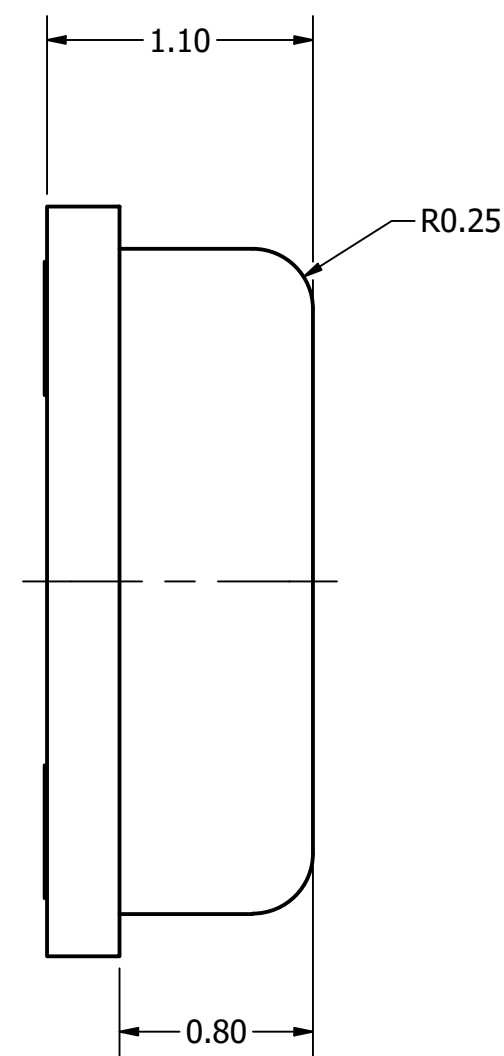
|              |                        |           |
|--------------|------------------------|-----------|
| Part Number: | MM034202-8             |           |
| DESCRIPTION: | Analog MEMS Microphone |           |
| DRAWN        | CJ                     | 7/25/2018 |
| CHECKED      | C.H.                   | 8/16/2018 |
| APPROVED     | C.E.                   | 8/16/2018 |

This document contains data proprietary to DB Unlimited. Any use or reproduction, in any form, without prior written permission of DB Unlimited is prohibited. All terms and conditions can be found at [www.dbunlimitedco.com](http://www.dbunlimitedco.com)

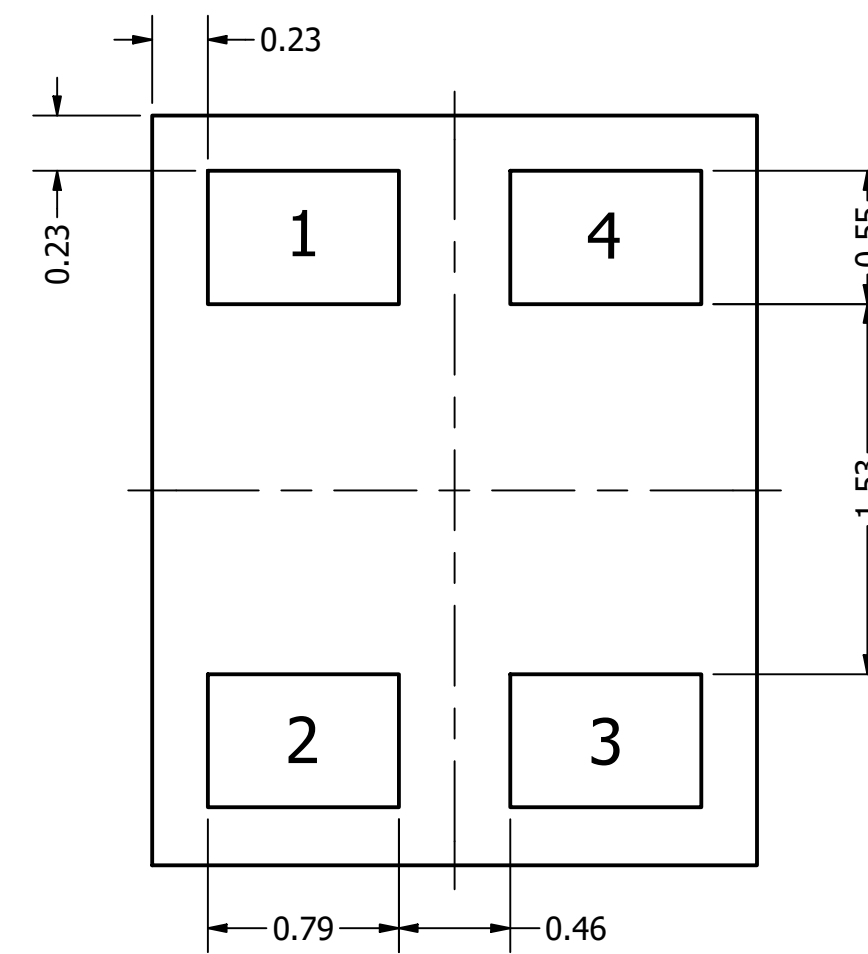
Top View



Side View



Bottom View



|       |       |       |        |
|-------|-------|-------|--------|
| Pin 1 | Pin 2 | Pin 3 | Pin 4  |
| VDD   | GND   | GND   | OUTPUT |

| Items                  | Specifications    | Conditions |
|------------------------|-------------------|------------|
| Directivity            | Omnidirectional   |            |
| Sensitivity            | -42 ± 1           | dB         |
| Frequency Range        | 100 ~ 10,000      | Hz         |
| Rated Voltage          | 2                 | V          |
| Voltage Range          | 1.6 ~ 3.6         | V          |
| Output Impedance       | 300               | Ω          |
| Max. Rated Current     | 0.19              | mA         |
| Power Supply Rejection | -72               | dB         |
| Storage Temperature    | -40 ~ +105        | °C         |
| Operating Temperature  | -40 ~ +105        | °C         |
| Signal to Noise Ratio  | 59                | dB         |
| Mount Type             | Surface Mount     |            |
| Connection Method      | Surface Mount Pad |            |

REVISION HISTORY

| REV | DESCRIPTION               | DATE      | APPROVED |
|-----|---------------------------|-----------|----------|
|     | Released from Engineering | 8/16/2018 | C.E.     |

NOTES

- 1) All dimensions are in mm unless otherwise noted
- 2) All tolerances are ± 0.1 mm unless otherwise noted
- 3) All parts meet RoHS
- 4) Subject to change or redrawn without notice

## X-ON Electronics

Largest Supplier of Electrical and Electronic Components

*Click to view similar products for [MEMS Microphones](#) category:*

*Click to view products by [DB Unlimited](#) manufacturer:*

Other Similar products are found below :

[8103AC8333S25.00000X](#) [S-VM2020-C](#) [SPK0838HT4H-1](#) [MMICT4076-00-908](#) [MMICT4078-00-908](#) [ICS-41352](#) [1007079-1](#) [ASFLM1-25.000MHZ-C](#) [5000AC-8E-25E0-25.000000X](#) [ICS-40300](#) [ICS-40618](#) [ICS-43432](#) [3807ACTC3-33EG-8.19200](#) [501AAA27M0000CAF](#) [SIT9120AC-2C2-25E125.000000](#) [SIT9120AC-2C2-25E200.000000](#) [SIT9121AI-2C3-33E100.000000](#) [9120AI-2C3-25E100.0000](#) [MP34DB01TR](#) [8002AI-13-33E16.00000](#) [5001AI-2D-18N0-20.000000](#) [UC2000-30GM-IUR2-V15](#) [MM042602-4](#) [MM042602-5](#) [MM033802-1](#) [ICS-43434](#) [ASFLM2-28.224MHZ-LR-T](#) [ICS-40310](#) [ICS-40720](#) [9003AC-14-33EQ25.00000](#) [SIT9120AC-2C2-33E125.000000](#) [1618AA-13-33S-16.000000G](#) [PMM-3738-VM1000-R](#) [64-8801](#) [IM69D120V01XTSA1](#) [SPA1687LR5H-1](#) [SPG08P4HM4H-1](#) [SPH0611LR5H-1](#) [SPH0641LM4H-1](#) [SPH0644LM4H-1](#) [SPH0645LM4H-B](#) [SPH0690LM4H-1](#) [SPH1668LM4H-1](#) [SPH6611LR5H-1](#) [SPK0415HM4H-B](#) [SPK0641HT4H-1](#) [SPM0687LR5H-1](#) [SPM1423HM4H-B](#) [SPQ1410HR5H-B](#) [SPU0410HR5H-PB](#)