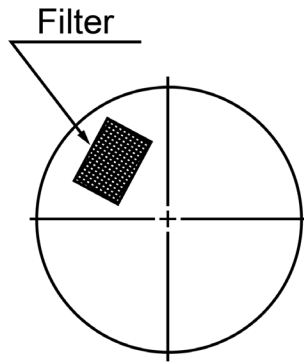
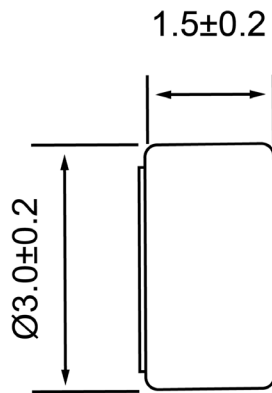


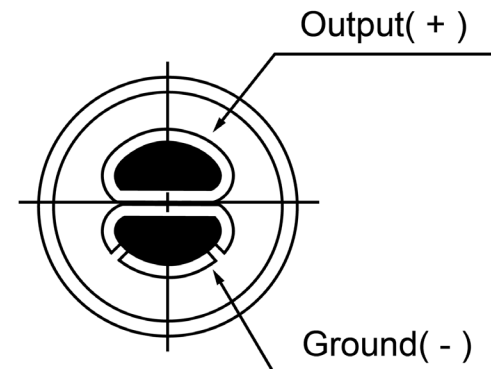
TOP VIEW




SIDE VIEW



BOTTOM VIEW



Specifications			Notes	Revision History												
Description	Value	Unit		Version	Description	Date	Approved									
Directivity	Omnidirectional		1) All dimensions are in mm unless otherwise noted 2) All parts meet RoHS 	1	Released from Engineering	2/9/2014	J.S.									
Technology	Electret Condenser															
Sensitivity	- 44	(dB)														
Frequency Range	100 ~ 10,000	(Hz)														
Rated Voltage	2	(V)														
Output Impedance	2,200	(Ohm)														
Connection Method	Solder Pads															
Voltage Range	1.0 ~ 10.0	(V)														
Max Rated Current	0.5	(mA)														
Min. Signal to Noise Ratio	>58	(dB)														
Operating Temperature	-10 ~ +50	°C														
Storage Temperature	-20 ~ +60	°C														
			Electret Condenser Microphone	MO034402-1												
				<table border="1"> <thead> <tr> <th>Drawn by</th> <th>Date</th> <th>Checked by</th> <th>Date</th> <th>Approved by</th> <th>Date</th> </tr> </thead> <tbody> <tr> <td>G.W.</td> <td>10/31/2013</td> <td>C.E.</td> <td>1/16/2014</td> <td>J.S.</td> <td>2/9/2014</td> </tr> </tbody> </table>	Drawn by	Date	Checked by	Date	Approved by	Date	G.W.	10/31/2013	C.E.	1/16/2014	J.S.	2/9/2014
Drawn by	Date	Checked by	Date	Approved by	Date											
G.W.	10/31/2013	C.E.	1/16/2014	J.S.	2/9/2014											

X-ON Electronics

Largest Supplier of Electrical and Electronic Components

Click to view similar products for [Microphones](#) category:

Click to view products by [DB Unlimited](#) manufacturer:

Other Similar products are found below :

[BCM4013OLFC-42-JST-ZHR-2](#) [TO38-30702-B20](#) [SPM04C-38/1186-T/R](#) [BCM4013OSBC-42 LF](#) [TOW-1242P-R](#) [BCM9745-44](#) [BCM9765](#)
[BCM9767P](#) [LD-MC-0905P](#) [LD-MC-6035](#) [LD-MC-9765](#) [PMOF-9745S-42UQ](#) [ROM-2235L-HD-R](#) [CMC-4015-130T](#) [CMC-6050-40T](#) [CMC-](#)
[6035-130T](#) [CMC-6015-47P](#) [BCM9745P-44](#) [BCM9767-42](#) [254-ECM644-RO](#) [LD-MC-4011](#) [LD-MC-6027](#) [LD-MC-6035P](#) [LD-MC-6035W](#)
[LD-MC-9765P](#) [LD-MC-9765W](#) [FG-23629-D65](#) [PNR-23539-000](#) [254-FP270-RO](#) [BCM9765P-44](#) [CMC-5042PF-AC](#) [CMC-6010-42L100](#)
[CMC-9745-L100](#) [CMC-3015-44T](#) [CMC-4015-25T](#) [CMC-6013-38T](#) [CMC-6022-37L100](#) [CMC-6027-24T](#) [CMC-6027-32T](#) [GMI4522P-2C-](#)
[30db](#) [GMI4522P-2C-50db](#) [GMI4522P-2C-52db](#) [GMI6027P-2C66DB](#) [GMA3526H10-B26](#) [GMA4030H11-F26](#) [GMI4015-32DB](#) [GMI4015-](#)
[40DB](#) [GMI4015P-36DB](#) [GMI4015P-46DB](#) [GMI4015P-54DB](#)