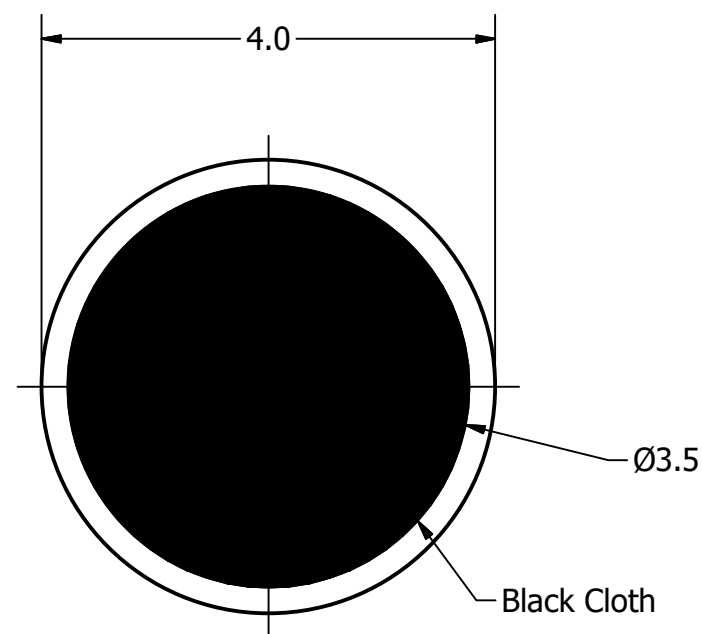
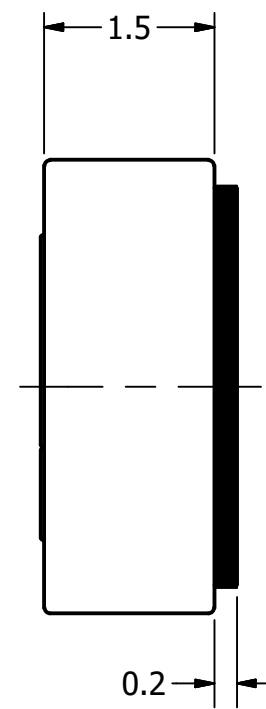


Part Number:	MO044402-10	
DESCRIPTION:	Electret Condenser Microphone	
DRAWN	CJ	4/25/2017
CHECKED		4/28/2017
P.D.		4/28/2017
APPROVED	C.E.	4/28/2017
This document contains data proprietary to DB Unlimited. Any use or reproduction, in any form, without prior written permission of DB Unlimited is prohibited. All terms and conditions can be found at www.dbunlimitedco.com		

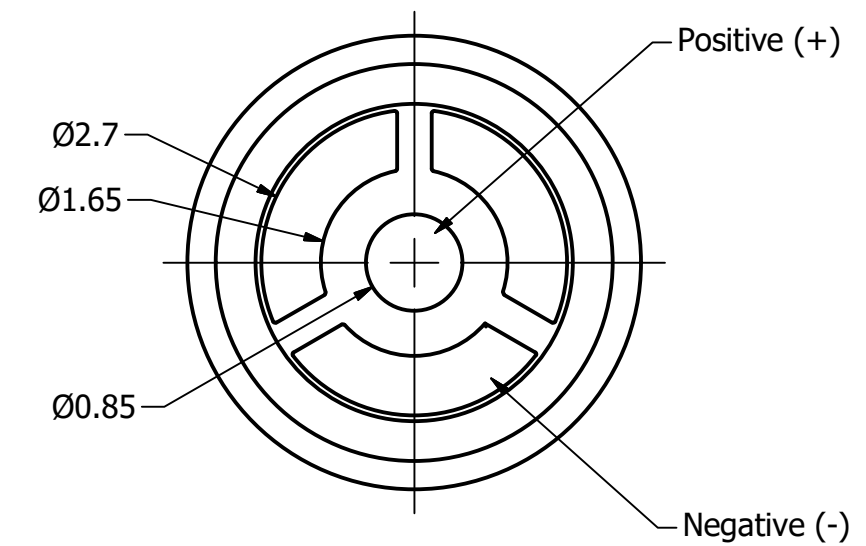
Top View



Side View



Bottom View



Items	Specifications	Conditions	REVISION HISTORY			
Directivity	Omnidirectional		REV	DESCRIPTION	DATE	APPROVED
Sensitivity	-44 ± 3	dB	1	Released from Engineering	10/21/2013	J.S.
Frequency Range	40 ~ 20,000	Hz		Updated to new template	4/28/2017	C.E.
Rated Voltage	2	V	NOTES			
Voltage Range	1 ~ 10	V	1) All dimensions are in mm unless otherwise noted			
Output Impedance	2,200	Ω	2) All tolerances are ± 0.1 mm unless otherwise noted			
Max. Rated Current	450	μA	3) All parts meet RoHS			
Storage Temperature	-40 ~ +85	°C	4) Subject to change or redrawn without notice			
Operating Temperature	-40 ~ +85	°C				
Signal to Noise Ratio	>60	dB				
Mount Type	Surface Mount					
Connection Method	Surface Mount Pads					

X-ON Electronics

Largest Supplier of Electrical and Electronic Components

Click to view similar products for [Microphones](#) category:

Click to view products by [DB Unlimited](#) manufacturer:

Other Similar products are found below :

[BCM4013OLFC-42-JST-ZHR-2](#) [TO38-30702-B20](#) [SPM04C-38/1186-T/R](#) [BCM4013OSBC-42 LF](#) [TOW-1242P-R](#) [BCM9745-44](#) [BCM9765](#)
[BCM9767P](#) [LD-MC-0905P](#) [LD-MC-6035](#) [LD-MC-9765](#) [PMOF-9745S-42UQ](#) [ROM-2235L-HD-R](#) [CMC-4015-130T](#) [CMC-6050-40T](#) [CMC-](#)
[6035-130T](#) [CMC-6015-47P](#) [BCM9745P-44](#) [BCM9767-42](#) [254-ECM644-RO](#) [LD-MC-4011](#) [LD-MC-6027](#) [LD-MC-6035P](#) [LD-MC-6035W](#)
[LD-MC-9765P](#) [LD-MC-9765W](#) [FG-23629-D65](#) [PNR-23539-000](#) [254-FP270-RO](#) [BCM9765P-44](#) [CMC-5042PF-AC](#) [CMC-6010-42L100](#)
[CMC-9745-L100](#) [CMC-3015-44T](#) [CMC-4015-25T](#) [CMC-6013-38T](#) [CMC-6022-37L100](#) [CMC-6027-24T](#) [CMC-6027-32T](#) [GMI4522P-2C-](#)
[30db](#) [GMI4522P-2C-50db](#) [GMI4522P-2C-52db](#) [GMI6027P-2C66DB](#) [GMA3526H10-B26](#) [GMA4030H11-F26](#) [GMI4015-32DB](#) [GMI4015-](#)
[40DB](#) [GMI4015P-36DB](#) [GMI4015P-46DB](#) [GMI4015P-54DB](#)