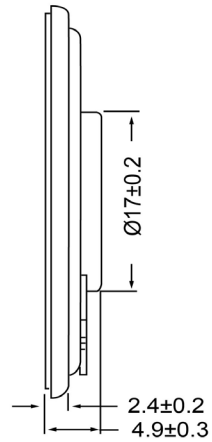
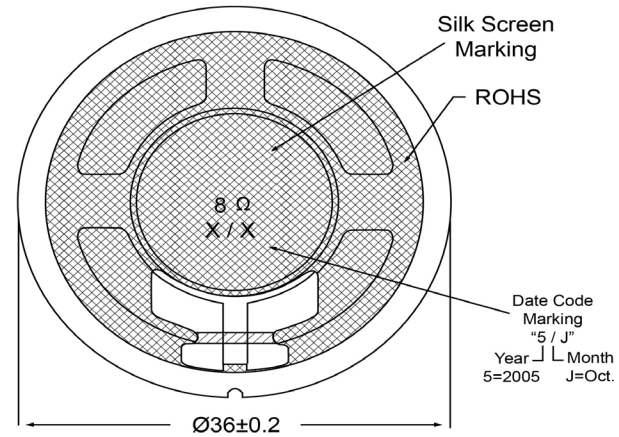



SIDE VIEW



BOTTOM VIEW



| Specifications | | | Notes | Revision History | | | | | | |
|-----------------------|--------------|-------|---|------------------|---------------------------|-------------------|------------|-------------|----------|--|
| Description | Value | Unit | | Version | Description | | Date | Approved | | |
| Shape | Round | | 1) All dimensions are in mm unless otherwise noted 2) All parts meet RoHS  DB UNLIMITED | 1 | Released from Engineering | | 2/5/2014 | J.S | | |
| Resonant Frequency | 500 | (Hz) | | | | | | | | |
| Frequency Range | 500 ~ 10,000 | (Hz) | | | | | | | | |
| SPL @ 10cm | 90 | (dBA) | | | | | | | | |
| Impedance | 8 | (Ohm) | | | | | | | | |
| Cone Material | Mylar | | | | | | | | | |
| Nominal Power | 0.5 | (W) | | | | | | | | |
| Max Power | 0.8 | (W) | | | | | | | | |
| Mount Type | Flush Mount | | | | | | | | | |
| Operating Temperature | - 20 ~ + 55 | °C | | | | | | | | |
| Storage Temperature | - 20 ~ + 55 | °C | | | | | | | | |
| Weight | 8.6 | (g) | | | | | | | | |
| | | | | Dynamic Speaker | | SM360508-1 | | | | |
| | | | | Drawn by | Date | Checked by | Date | Approved by | Date | |
| | | | | G.W. | 10/31/2013 | C.E. | 10/21/2013 | J.S | 2/5/2014 | |

X-ON Electronics

Largest Supplier of Electrical and Electronic Components

Click to view similar products for [Speakers & Transducers](#) category:

Click to view products by [DB Unlimited](#) manufacturer:

Other Similar products are found below :

[FC-30814-P127](#) [AS02832MR-2-R](#) [PB-1220PE](#) [PB-2015PQ](#) [900-00001](#) [AB2025B-LW50-R](#) [SWFK-31736-000](#) [PT-2065FW](#) [PT-4175W](#) [AT-2830-TW-LW35-R](#) [ED-30761-000](#) [CI-30120-A42](#) [SMT-0440-T-2-R](#) [PB-0927PQ](#) [BF-7083-000](#) [CTX323B220](#) [SMS2020-08H4.5 LF](#) [BDT1717-08H6.5W56MLF](#) [GSPK1003PN-8R0.2W-L100](#) [GSPK151103TN-8R0.2W](#) [GSPK2014035PN-8R0.5W-L100](#) [AS03608MR-LW100-R](#) [24520](#) [SMT-0540-S-2-R](#) [1450069](#) [9091653](#) [9091661](#) [IPS-G6000-5](#) [9090231](#) [FS50MS0820-H9.7](#) [FS4014-4-2W](#) [PBM4-13.B29R.A115.0663](#) [PBM4-13.B31R.A115.0663](#) [PBM4-13.B33R.A115.0663](#) [PBM4-13.B35R.A115.0663](#) [A-10-6-BG360-HD1Z-GA-M4Z-ZW](#) [A-10-6-BG410-HD1Z-AA-M4Z-ZW](#) [A-10-6-BG410-HD1Z-FC-AGZ-ZW](#) [A-10-6-BG410-HD1Z-GA-M4Z-ZW](#) [A-10-6-BG310-HD1Z-AA-AGZ-ZW](#) [A-10-6-BG310-HD1Z-AA-M4Z-ZW](#) [A-10-6-BG310-HD1Z-GA-M4Z-ZW](#) [A-10-6-BG316-HD1Z-AA-M4Z-ZW](#) [A-10-6-BG325-HD1Z-AA-AGZ-ZW](#) [A-10-6-BG325-HD1Z-AA-M4Z-ZW](#) [A-10-6-BG340-HD1Z-AA-AGZ-ZW](#) [A-10-6-BG340-HD1Z-AA-M4Z-ZW](#) [A-10-6-BG340-HD1Z-GA-M4Z-ZW](#) [A-10-6-BG360-GT1Z-AA-M4Z-ZW](#) [A-10-6-BG360-HD1Z-AA-AGZ-ZW](#)