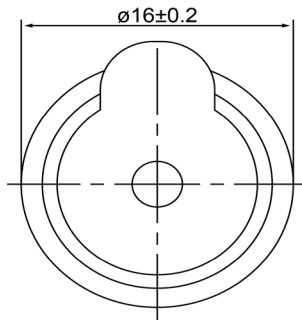
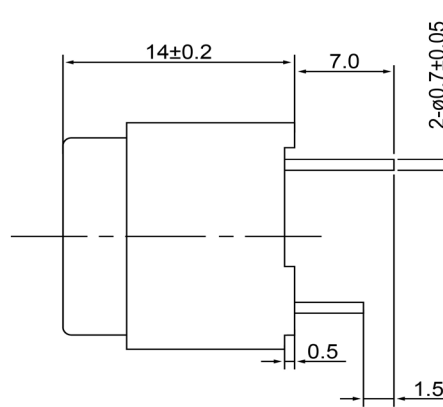


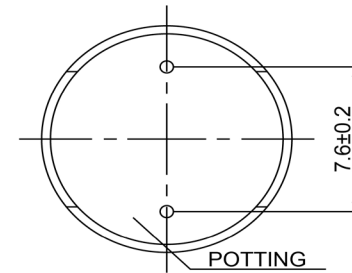
TOP VIEW




SIDE VIEW



BOTTOM VIEW



| Specifications        |                    |       | Notes  | Revision History                     |                           |            |          |                   |            |            |            |             |            |  |
|-----------------------|--------------------|-------|--|--------------------------------------|---------------------------|------------|----------|-------------------|------------|------------|------------|-------------|------------|--|
| Description           | Value              | Unit  |  | Version                              | Description               | Date       | Approved | Drawn by          | Date       | Checked by | Date       | Approved by | Date       |  |
| Technology            | Electro-Mechanical |       | 1) All dimensions are in mm unless otherwise noted<br>2) All parts meet RoHS<br><br>DB UNLIMITED | 1                                    | Released from Engineering | 10/21/2013 | J.S      | A.B.              | 10/21/2013 | C.E.       | 10/21/2013 | J.S         | 10/21/2013 |  |
| Resonant Frequency    | 2,048              | (Hz)  |  |                                      |                           |            |          |                   |            |            |            |             |            |  |
| Rated Voltage         | 6                  | (V)   |  |                                      |                           |            |          |                   |            |            |            |             |            |  |
| SPL @ 10cm            | 85                 | (dBA) |  |                                      |                           |            |          |                   |            |            |            |             |            |  |
| Coil Resistance       | 50                 | (ohm) |  |                                      |                           |            |          |                   |            |            |            |             |            |  |
| Mount Type            | Thru Hole          |       |  |                                      |                           |            |          |                   |            |            |            |             |            |  |
| Voltage Range         | 4 ~ 8              | (V)   |  |                                      |                           |            |          |                   |            |            |            |             |            |  |
| Max Rated Current     | 40                 | (mA)  |  |                                      |                           |            |          |                   |            |            |            |             |            |  |
| Housing Material      | NORYL              |       |  |                                      |                           |            |          |                   |            |            |            |             |            |  |
| Operating Temperature | -30 ~ +70          | °C    |  |                                      |                           |            |          |                   |            |            |            |             |            |  |
| Storage Temperature   | -40 ~ +85          | °C    |  |                                      |                           |            |          |                   |            |            |            |             |            |  |
| Weight                | 5                  | (g)   |  |                                      |                           |            |          |                   |            |            |            |             |            |  |
|                       |                    |       |  | <b>Electro-Mechanical Transducer</b> |                           |            |          | <b>TE162006-3</b> |            |            |            |             |            |  |

## X-ON Electronics

Largest Supplier of Electrical and Electronic Components

*Click to view similar products for [Speakers & Transducers](#) category:*

*Click to view products by [DB Unlimited](#) manufacturer:*

Other Similar products are found below :

[FC-30814-P127](#) [AS02832MR-2-R](#) [PB-1220PE](#) [PB-2015PQ](#) [900-00001](#) [AB2025B-LW50-R](#) [SWFK-31736-000](#) [PT-2065FW](#) [PT-4175W](#) [AT-2830-TW-LW35-R](#) [ED-30761-000](#) [CI-30120-A42](#) [SMT-0440-T-2-R](#) [PB-0927PQ](#) [BF-7083-000](#) [SMS2020-08H4.5 LF](#) [BDT1717-08H6.5W56MLF](#) [GSPK1003PN-8R0.2W-L100](#) [GSPK151103TN-8R0.2W](#) [GSPK2014035PN-8R0.5W-L100](#) [FS5353DS0830-H19.3](#) [TE082703-8](#) [XMLP040BD21F](#) [AS03608MR-LW100-R](#) [24520](#) [SMT-0540-S-2-R](#) [1450069](#) [9091653](#) [9091661](#) [IPS-G6000-5](#) [9090231](#) [FS4014-4-2W](#) [PBM4-13.B29R.A115.0663](#) [PBM4-13.B31R.A115.0663](#) [PBM4-13.B33R.A115.0663](#) [PBM4-13.B35R.A115.0663](#) [A-10-6-BG360-HD1Z-GA-M4Z-ZW](#) [A-10-6-BG410-HD1Z-AA-AGZ-ZW](#) [A-10-6-BG410-HD1Z-AA-M4Z-ZW](#) [A-10-6-BG410-HD1Z-FC-AGZ-ZW](#) [A-10-6-BG410-HD1Z-GA-M4Z-ZW](#) [A-10-6-BG310-HD1Z-AA-AGZ-ZW](#) [A-10-6-BG310-HD1Z-AA-M4Z-ZW](#) [A-10-6-BG310-HD1Z-GA-M4Z-ZW](#) [A-10-6-BG316-HD1Z-AA-AGZ-ZW](#) [A-10-6-BG316-HD1Z-AA-M4Z-ZW](#) [A-10-6-BG325-HD1Z-AA-AGZ-ZW](#) [A-10-6-BG325-HD1Z-AA-M4Z-ZW](#) [A-10-6-BG340-HD1Z-AA-AGZ-ZW](#) [A-10-6-BG340-HD1Z-AA-M4Z-ZW](#)