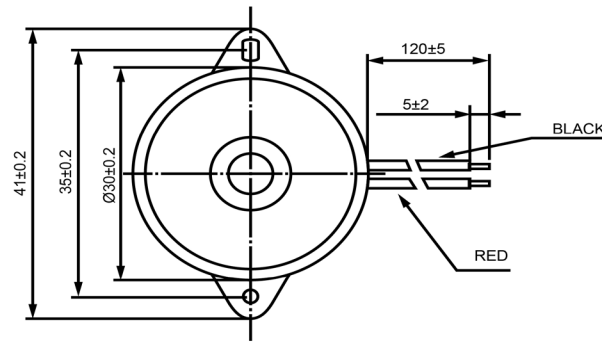
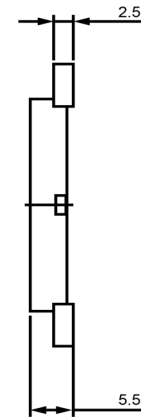


TOP VIEW



SIDE VIEW



Specifications			Notes	Revision History									
Description	Value	Unit		Version	Description	Date	Approved	Drawn by	Date	Checked by	Date	Approved by	Date
Technology	Piezo		1) All dimensions are in mm unless otherwise noted 2) All parts meet RoHS	1	Released from Engineering	10/21/2013	J.S	A.B.	10/21/2013	C.E.	10/21/2013	J.S	10/21/2013
Resonant Frequency	4,000	(Hz)											
Rated Voltage	3	(V)											
SPL @ 10cm	85	(dBA)											
Capacitance	25,000	(pF)											
Mount Type	Flange												
Voltage Range	1 ~ 30	(V)											
Max Rated Current	1	(mA)											
Housing Material	ABS												
Operating Temperature	-20 ~ +60	°C											
Storage Temperature	-30 ~ +70	°C											
Weight	3.5	(g)											



Piezo Transducer

TP304003-2

X-ON Electronics

Largest Supplier of Electrical and Electronic Components

Click to view similar products for [Speakers & Transducers](#) category:

Click to view products by [DB Unlimited](#) manufacturer:

Other Similar products are found below :

[FC-30814-P127](#) [AS02832MR-2-R](#) [PB-1220PE](#) [PB-2015PQ](#) [900-00001](#) [AB2025B-LW50-R](#) [SWFK-31736-000](#) [PT-2065FW](#) [PT-4175W](#) [AT-2830-TW-LW35-R](#) [ED-30761-000](#) [CI-30120-A42](#) [SMT-0440-T-2-R](#) [PB-0927PQ](#) [BF-7083-000](#) [CTX323B220](#) [SMS2020-08H4.5 LF](#) [BDT1717-08H6.5W56MLF](#) [GSPK1003PN-8R0.2W-L100](#) [GSPK151103TN-8R0.2W](#) [GSPK2014035PN-8R0.5W-L100](#) [AS03608MR-LW100-R](#) [24520](#) [SMT-0540-S-2-R](#) [1450069](#) [9091653](#) [9091661](#) [IPS-G6000-5](#) [9090231](#) [FS50MS0820-H9.7](#) [FS4014-4-2W](#) [PBM4-13.B29R.A115.0663](#) [PBM4-13.B31R.A115.0663](#) [PBM4-13.B33R.A115.0663](#) [PBM4-13.B35R.A115.0663](#) [A-10-6-BG360-HD1Z-GA-M4Z-ZW](#) [A-10-6-BG410-HD1Z-AA-M4Z-ZW](#) [A-10-6-BG410-HD1Z-FC-AGZ-ZW](#) [A-10-6-BG410-HD1Z-GA-M4Z-ZW](#) [A-10-6-BG310-HD1Z-AA-AGZ-ZW](#) [A-10-6-BG310-HD1Z-AA-M4Z-ZW](#) [A-10-6-BG310-HD1Z-GA-M4Z-ZW](#) [A-10-6-BG316-HD1Z-AA-M4Z-ZW](#) [A-10-6-BG325-HD1Z-AA-AGZ-ZW](#) [A-10-6-BG325-HD1Z-AA-M4Z-ZW](#) [A-10-6-BG340-HD1Z-AA-AGZ-ZW](#) [A-10-6-BG340-HD1Z-AA-M4Z-ZW](#) [A-10-6-BG340-HD1Z-GA-M4Z-ZW](#) [A-10-6-BG360-GT1Z-AA-M4Z-ZW](#) [A-10-6-BG360-HD1Z-AA-AGZ-ZW](#)