



**DC COMPONENTS CO., LTD.**  
RECTIFIER SPECIALISTS

**DL4728A  
THRU  
DL4764A**

**TECHNICAL SPECIFICATIONS OF GLASS SILICON ZENER**

**FEATURES**

- \* Voltage Range: 3.3V to 100V
- \* Double slug type construction

**MECHANICAL DATA**

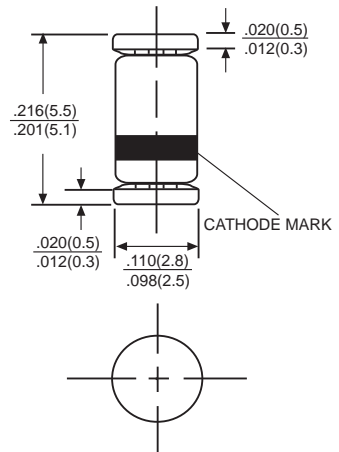
- \* Case: Glass sealed case
- \* Terminals: Solder plated, solderable per MIL-STD-750, Method 2026
- \* Polarity: Color band denotes cathode end
- \* Mounting position: Any
- \* Weight: 0.35 gram

**MAXIMUM RATINGS AND ELECTRICAL CHARACTERISTICS**

Rating at 25°C ambient temperature unless otherwise specified.  
Single phase, half wave, 60 Hz, resistive or inductive load.  
For capacitive load, derate current by 20%.



**DL-41**



Dimensions in inches and (millimeters)

|   | SYMBOL           | VALUE                        | UNIT                          |
|---|------------------|------------------------------|-------------------------------|
| Zener Current see Table "Characteristics"     |                  |                              |                               |
| Power Dissipation at Tamb=25°C                | P <sub>tot</sub> | 1 <sup>(1)</sup>             | W                             |
| Junction Temperature                          | T <sub>j</sub>   | 175                          | °C                            |
| Storage Temperature Range                     | T <sub>stg</sub> | -55 to +200                  | °C                            |
| Thermal Resistance<br>Junction to Ambient Air | R <sub>thA</sub> | -<br>-<br>170 <sup>(1)</sup> | K/mW<br>Typ.<br>Min.<br>Max.  |
| Forward Voltage<br>at I <sub>F</sub> =200mA   | V <sub>F</sub>   | -<br>-<br>1.2                | Volts<br>Typ.<br>Min.<br>Max. |

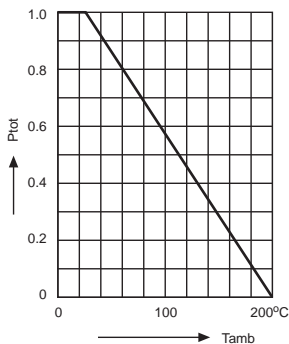
1) Valid Provided that leads are kept at ambient temperature at a distance of 10 mm from case.

NOTE: Suffix "A" indicates Zener Voltage Tolerance ± 5%

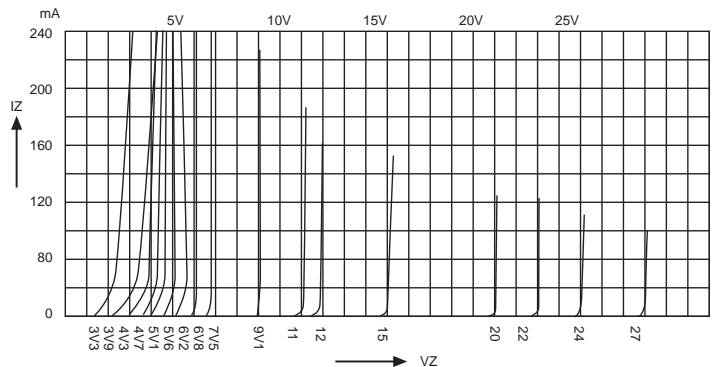
# RATING AND CHARACTERISTIC CURVES (DL4728A THRU DL4764A)

| TYPE    | Nominal Zener Voltage<br>VZ@IZT | Test Current<br>IZT | Maximum Zener Impedance |         | IZK  | Maximum Reverse Leakage Current |       | Max. Surge Current<br>IR | Maximum Regulator Current<br>IZM |
|---------|---------------------------------|---------------------|-------------------------|---------|------|---------------------------------|-------|--------------------------|----------------------------------|
|         |                                 |                     | ZZT@IZT                 | ZZT@IZK |      | IR                              | @VR   |                          |                                  |
|         |                                 |                     | Ohms                    | Ohms    |      | μA                              | Volts |                          |                                  |
| DL4728A | 3.3                             | 76                  | 10                      | 400     | 1.0  | 100                             | 1.0   | 1380                     | 276                              |
| DL4729A | 3.6                             | 69                  | 10                      | 400     | 1.0  | 100                             | 1.0   | 1260                     | 252                              |
| DL4730A | 3.9                             | 64                  | 9.0                     | 400     | 1.0  | 50                              | 1.0   | 1170                     | 234                              |
| DL4731A | 4.3                             | 58                  | 9.0                     | 400     | 1.0  | 10                              | 1.0   | 1085                     | 217                              |
| DL4732A | 4.7                             | 53                  | 8.0                     | 500     | 1.0  | 10                              | 1.0   | 965                      | 193                              |
| DL4733A | 5.1                             | 49                  | 7.0                     | 550     | 1.0  | 10                              | 1.0   | 890                      | 178                              |
| DL4734A | 5.6                             | 45                  | 5.0                     | 600     | 1.0  | 10                              | 2.0   | 810                      | 162                              |
| DL4735A | 6.2                             | 41                  | 2.0                     | 700     | 1.0  | 10                              | 3.0   | 730                      | 146                              |
| DL4736A | 6.8                             | 37                  | 3.5                     | 700     | 1.0  | 10                              | 4.0   | 660                      | 133                              |
| DL4737A | 7.5                             | 34                  | 4.0                     | 700     | 0.5  | 10                              | 5.0   | 605                      | 121                              |
| DL4738A | 8.2                             | 31                  | 4.5                     | 700     | 0.5  | 10                              | 6.0   | 550                      | 110                              |
| DL4739A | 9.1                             | 28                  | 5.0                     | 700     | 0.5  | 10                              | 7.0   | 500                      | 100                              |
| DL4740A | 10                              | 25                  | 7.0                     | 700     | 0.25 | 10                              | 7.6   | 454                      | 91                               |
| DL4741A | 11                              | 23                  | 8.0                     | 700     | 0.25 | 5.0                             | 8.4   | 414                      | 83                               |
| DL4742A | 12                              | 21                  | 9.0                     | 700     | 0.25 | 5.0                             | 9.1   | 380                      | 76                               |
| DL4743A | 13                              | 19                  | 10                      | 700     | 0.25 | 5.0                             | 9.9   | 344                      | 69                               |
| DL4744A | 15                              | 17                  | 14                      | 700     | 0.25 | 5.0                             | 11.4  | 304                      | 61                               |
| DL4745A | 16                              | 15.5                | 16                      | 700     | 0.25 | 5.0                             | 12.2  | 285                      | 57                               |
| DL4746A | 18                              | 14                  | 20                      | 750     | 0.25 | 5.0                             | 13.7  | 250                      | 50                               |
| DL4747A | 20                              | 12.5                | 22                      | 750     | 0.25 | 5.0                             | 15.2  | 225                      | 45                               |
| DL4748A | 22                              | 11.5                | 23                      | 750     | 0.25 | 5.0                             | 16.7  | 205                      | 41                               |
| DL4749A | 24                              | 10.5                | 25                      | 750     | 0.25 | 5.0                             | 18.2  | 190                      | 38                               |
| DL4750A | 27                              | 9.5                 | 35                      | 750     | 0.25 | 5.0                             | 20.6  | 170                      | 34                               |
| DL4751A | 30                              | 8.5                 | 40                      | 1000    | 0.25 | 5.0                             | 22.8  | 150                      | 30                               |
| DL4752A | 33                              | 7.5                 | 45                      | 1000    | 0.25 | 5.0                             | 25.1  | 135                      | 27                               |
| DL4753A | 36                              | 7.0                 | 50                      | 1000    | 0.25 | 5.0                             | 27.4  | 125                      | 25                               |
| DL4754A | 39                              | 6.5                 | 60                      | 1000    | 0.25 | 5.0                             | 29.7  | 115                      | 23                               |
| DL4755A | 43                              | 6.0                 | 70                      | 1500    | 0.25 | 5                               | 32.7  | 110                      | 22                               |
| DL4756A | 47                              | 5.5                 | 80                      | 1500    | 0.25 | 5                               | 35.8  | 95                       | 19                               |
| DL4757A | 51                              | 5.0                 | 95                      | 1500    | 0.25 | 5                               | 38.8  | 90                       | 18                               |
| DL4758A | 56                              | 4.5                 | 110                     | 2000    | 0.25 | 5                               | 42.6  | 80                       | 16                               |
| DL4759A | 62                              | 4.0                 | 125                     | 2000    | 0.25 | 5                               | 47.1  | 70                       | 14                               |
| DL4760A | 68                              | 3.7                 | 150                     | 2000    | 0.25 | 5                               | 51.7  | 65                       | 13                               |
| DL4761A | 75                              | 3.3                 | 175                     | 2000    | 0.25 | 5                               | 56.0  | 60                       | 12                               |
| DL4762A | 82                              | 3.0                 | 200                     | 2000    | 0.25 | 5                               | 62.2  | 55                       | 11                               |
| DL4763A | 91                              | 2.8                 | 250                     | 2000    | 0.25 | 5                               | 69.2  | 50                       | 10                               |
| DL4764A | 100                             | 2.5                 | 350                     | 2000    | 0.25 | 5                               | 76.0  | 45                       | 9                                |

Admissible power dissipation  
versus ambient temperature  
Valid provided that leads are kept at ambient  
W temperature at distance of 10mm from case



## Breakdown characteristics DL47-SERIES



## Disclaimer

Any Customer or user of this document or products described herein in such applications shall assume all risks of such use and will agree to hold *DC COMPONENTS* harmless against all damages.

*DC COMPONENTS* disclaims any and all liability arising out of the application or use of any product, including consequential or incidental damages. Statement regarding the suitability of products for certain types of applications are based on *DC COMPONENTS*'s knowledge of typical requirements that are often placed on *DC COMPONENTS* products in generic applications. Such statements are not binding statements about the suitability of products for a particular application. It is the customer's responsibility to validate that a particular product with the properties described in the product specification is suitable for use in a particular application.

*DC COMPONENTS* reserve the right to make modifications, enhancements, improvements, corrections or other changes without further notice to this document and any product described herein, and disclaim any and all liability for any errors, inaccuracies or incompleteness contained in any datasheet or in any other disclosure relating to any product. Parameters provided in datasheets and specifications may vary in different applications and performance may vary over time. All operating parameters, including typical parameters, must be validated for each customer application by the customer's technical experts. Product specifications do not expand or otherwise modify *DC COMPONENTS*'s terms and conditions of purchase, including but not limited to the warranty expressed therein.

Unless otherwise in writing, *DC COMPONENTS* products are intended for use as general electronic components in standard applications ( eg: Consumer electronic, Computer equipment, Office equipment, etc.), and not recommended for use in a high specific application where a failure or malfunction of the device could result in human injury or death ( eg: Aerospace equipment, Submarine cables, Combustion equipment, Safety devices, Life support systems, etc.)

Customers using or selling *DC COMPONENTS* products not expressly indicated for use in such applications do so at their own risk. If customer intended to use *DC COMPONENTS* standard quality grade devices for applications not envisioned by *DC COMPONENTS*, please contact our sales representatives in advance.



*DC COMPONENTS CO., LTD.*

## X-ON Electronics

Largest Supplier of Electrical and Electronic Components

*Click to view similar products for [Zener Diodes](#) category:*

*Click to view products by [DC Components](#) manufacturer:*

Other Similar products are found below :

[DL5234B](#) [1N4682](#) [1N4691](#) [1N4693](#) [1N4732A](#) [1N4733A-TR](#) [1N4736A](#) [1N4750A](#) [1N4759ARL](#) [1N5241B](#) [1N5365B](#) [1N5369B](#) [1N747A](#)  
[1N959B](#) [1N964B](#) [1N966B](#) [1N968B](#) [1N972B](#) [NTE5121A](#) [NTE5147A](#) [NTE5152A](#) [NTE5155A](#) [NTE5164A](#) [JANS1N4974US](#) [1N4692](#)  
[1N4700](#) [1N4702](#) [1N4704](#) [1N4711](#) [1N4714](#) [1N4737A](#) [1N4745ARL](#) [1N4752A](#) [1N4752ARL](#) [1N4760ARL](#) [1N5221B](#) [1N5236B](#) [1N5241BTR](#)  
[1N5242BTR](#) [1N5350B](#) [1N5352B](#) [1N961BRR1](#) [1N964BRL](#) [RKZ5.1BKU#P6](#) [3SMAJ5950B-TP](#) [3SMAJ5953B-TP](#) [3SMBJ5925B-TP](#)  
[TDZTR24](#) [441774C](#) [MMSZ5232BQ-13-F](#)