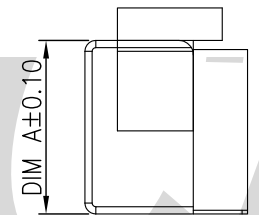
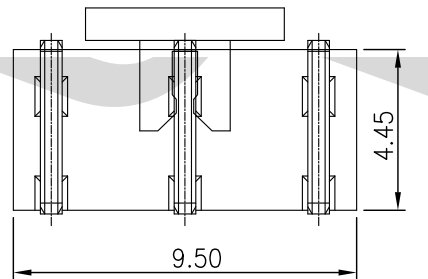
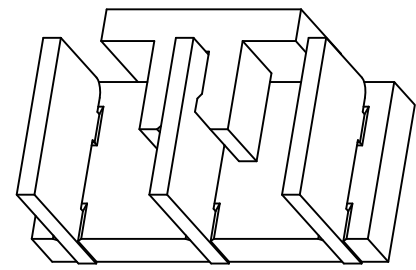
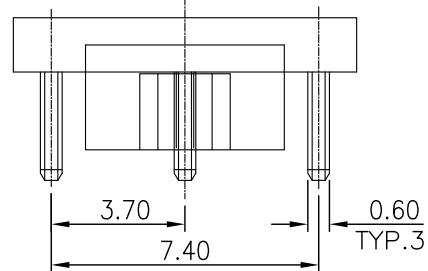


REV.	LOCAS.	DESCRIPTION	DRAW.	DATE.
01	NEW	INITIAL RELEASE.	Junly	2010.12.10

- NOTES:
- MATERIAL:
 - Housing:High Temperature Thermoplastic UL94V-0; Color Black.
 - Terminal:Copper Alloy.
 - SPECIALITY:
 - Rated current:0.5A
 - Rated voltage:30V
 - Contact Resistance:50mΩ MAX
 - Insulation Resistance:100MΩ MIN 100V DC
 - Dielectric withstanding voltage: 100V AC.
 - Solder ability:235±5°C, 5±0.5s.
 - Durability:5000 Cycles Min.
 - Operating condition:Temperature: -30°C ~ +80°C; Humidity: 80% R.H MAX

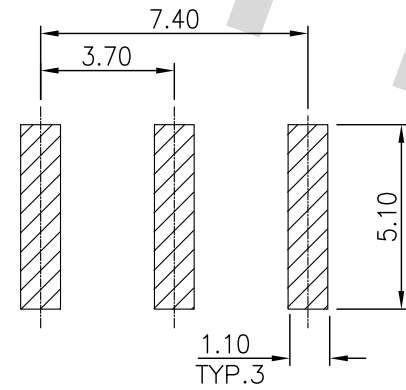
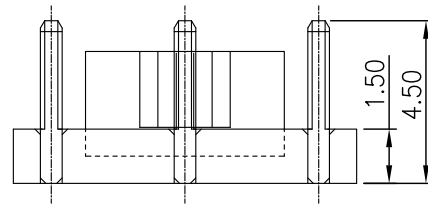


Ordering Information

B A 03 06 370 XXX -59

B:Battery Series
 A:Finished Product
 No.of PINS:03(3PIN)
 Plating Number:

Running number:
 420:Height 4.20mm
 450:Height 4.50mm
 480:Height 4.80mm
 370:Pitch 3.70mm



No.	PART No.	DIM A
1	BA0306370420-59	4.20
2	BA0306370450-59	4.50
3	BA0306370480-59	4.80

MEASURE POINT: QUADRANT POINT (QP) TANGENCY POINT (TP) INTERSECTION POINT (IP)	SHEN ZHEN D-CHAIN TECHNOLOGY CO.,LTD				
UNLESS OTHERWISE SPECIFIED,TOLERANCE:	DESING	Junly	DATE	2010.12.10	TITLE:
X. ±0.25	CHECKED	Eric	DATE	2010.12.10	BATTERY 3PIN PH:3.70mm
X.x ±0.20	APPROVED	Eric	DATE	2010.12.10	SMT TYPE
X.xx ±0.15	PART NO.: BA0306370XXX-59			REV:	01
ANGULAR ±3°	DRAWING NO: DQBA0306370420-59			SCALE:	5:1
				UNIT:	mm
				SIZE:	A4
				SHEET:	1/1

RECOMMENDED PCB LAYOUT
 TOLERANCE:±0.05

受控文件
 2010.12.13
 达擎科技

S0 市场部

ROHS
 compliant
 2002/95/EC

X-ON Electronics

Largest Supplier of Electrical and Electronic Components

Click to view similar products for [Coin Cell Battery Holders](#) category:

Click to view products by [D-CHAIN](#) manufacturer:

Other Similar products are found below :

[PDSN-11-D](#) [799-2007](#) [BH44AAB](#) [BH48DL](#) [BH8000](#) [MY-2430-01-R](#) [BS-16-B4AA006-R](#) [KH-CR1220-2](#) [BH-18650-A1AJ006](#) [BH-18650-A1AJ005](#) [BS-12-B3AA009-R](#) [MY-FJ-131-J-R](#) [MY-FJ-04-J-R](#) [BS-24-A1AJ017](#) [BH-18650-A5BJ001-2D](#) [BS-12-A1AJ002-Z](#) [MY-2032-04-R](#) [BS-12-B3AA011-R](#) [BS-621-B4AA001-R](#) [MY-ZJ-110](#) [MY-FJ-127-R](#) [BS-06-B4AA002-R](#) [MY-1220-04](#) [BH-AAA-A1AJ001](#) [BS-12-B3AA003-T](#) [MY-FJ-115II-R](#) [BS-06-B4AK001-R](#) [BH-18650-B1BA007](#) [MY-FJ-115II](#) [BH-AAA-B5AA001](#) [BE-13-017](#) [MY-2477-01](#) [BS-12-B3AA013](#) [BC-25-5PD-300](#) [BS-08-B2AA016-R](#) [MY-AAA-22-J](#) [MY-AA-14-J](#) [MY-AAA-24-J](#) [MY-2032-28](#) [MY-FJ-01](#) [MY-1025-01](#) [MY-AA-5355-J](#) [BS-05-A1BJ018](#) [MY-2032-25-R](#) [BH-AA-B1AJ011](#) [MY-WJTP-01-J](#) [MY-1220-03-K](#) [BS-12-A1AJ017-F](#) [MY-AA-10](#) [BS-12-A3AA003](#)