

REV.	LOCAS.	DESCRIPTION	DRAW.	DATE.
01	NEW	INITIAL RELEASE.	Junly	2010.08.16
02	02	ECN20110026	Huang	2011.02.26
03	03	ECN20110037	Huang	2011.04.26

A

B

C

D

E

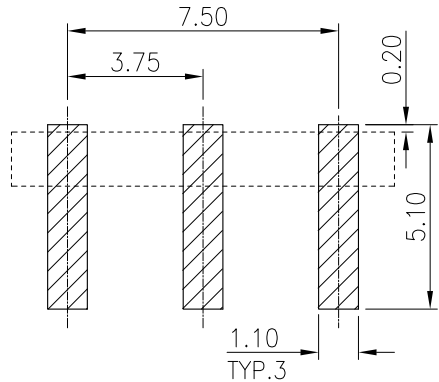
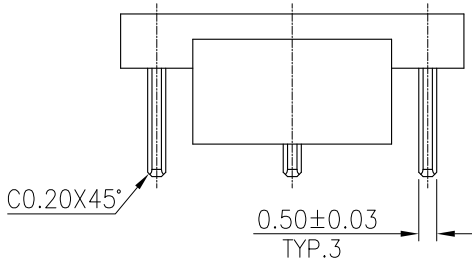
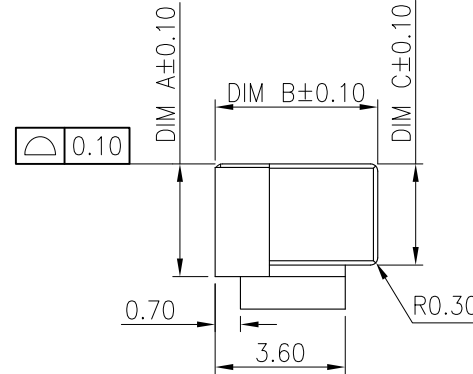
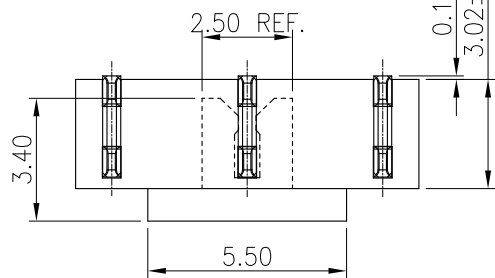
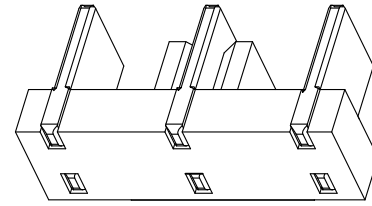
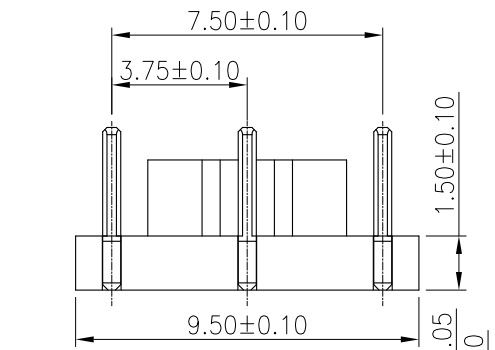
A

B

C

D

E

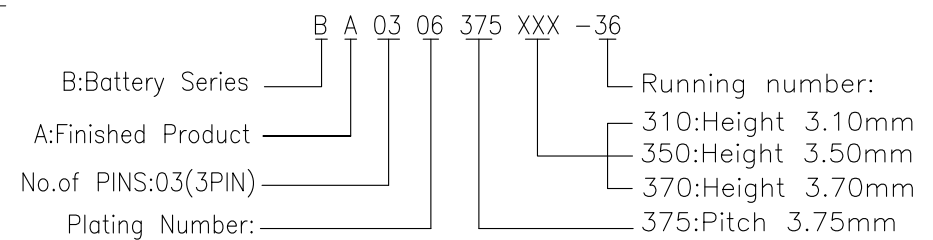


RECOMMENDED PCB LAYOUT
TOLERANCE:±0.05

NOTES:

- MATERIAL:
 - Housing:High Temperature Thermoplastic UL94V-0; Color Black.
 - Terminal:Copper Alloy.
- SPECIALITY:
 - Rated current:0.5A
 - Rated voltage:30V
 - Contact Resistance:50mΩ MAX
 - Insulation Resistance:100MΩ MIN 100V DC
 - Dielectric withstanding voltage: 100V AC.
 - Solder ability:235±5°C, 5±0.5s.
 - Durability:5000 Cycles Min.
 - Operating condition:Temperature: -30°C ~ +80°C; Humidity: 80% R.H MAX

Ordering Information



PART No.	DIM A	DIM B	DIM C
BA0306375310-36	3.10	4.50	2.72
BA0306375350-36	3.50	4.70	3.20
BA0306375370-36	3.70	4.70	3.34

MEASURE POINT: QUADRANT POINT (QP) TANGENCY POINT (TP) INTERSECTION POINT (IP)	SHEN ZHEN D-CHAIN TECHNOLOGY CO.,LTD									
UNLESS OTHERWISE SPECIFIED,TOLERANCE: X. ±0.25 X.x ±0.20 X.xx ±0.15 ANGULAR ±3°	DESING	Huang	DATE	2011.04.26	TITLE:	BATTERY 3PIN PH:3.75mm SMT TYPE				
	CHECKED	Andy.L	DATE	2011.04.26						
	APPROVED	Andy.L	DATE	2011.04.26						
	PART NO.:	BA0306375XXX-36			REV:	03	SCALE:	5:1	UNIT:	mm
	DRAWING NO.:	DQBA0306375310-36			SIZE:	A4	SHEET:	1/1		

1 2 3 4 5 6 7

1 2 3 4 5 6 7

X-ON Electronics

Largest Supplier of Electrical and Electronic Components

Click to view similar products for [Coin Cell Battery Holders](#) category:

Click to view products by [D-CHAIN](#) manufacturer:

Other Similar products are found below :

[PDSN-11-D](#) [799-2007](#) [BH44AAB](#) [BH48DL](#) [BH8000](#) [MY-2430-01-R](#) [BS-16-B4AA006-R](#) [KH-CR1220-2](#) [BH-18650-A1AJ006](#) [BH-18650-A1AJ005](#) [BS-12-B3AA009-R](#) [MY-FJ-131-J-R](#) [MY-FJ-04-J-R](#) [BS-24-A1AJ017](#) [BH-18650-A5BJ001-2D](#) [BS-12-A1AJ002-Z](#) [MY-2032-04-R](#) [BS-12-B3AA011-R](#) [BS-621-B4AA001-R](#) [MY-ZJ-110](#) [MY-FJ-127-R](#) [BS-06-B4AA002-R](#) [MY-1220-04](#) [BH-AAA-A1AJ001](#) [BS-12-B3AA003-T](#) [MY-FJ-115II-R](#) [BS-06-B4AK001-R](#) [BH-18650-B1BA007](#) [MY-FJ-115II](#) [BH-AAA-B5AA001](#) [BE-13-017](#) [MY-2477-01](#) [BS-12-B3AA013](#) [BC-25-5PD-300](#) [BS-08-B2AA016-R](#) [MY-AAA-22-J](#) [MY-AA-14-J](#) [MY-AAA-24-J](#) [MY-2032-28](#) [MY-FJ-01](#) [MY-1025-01](#) [MY-AA-5355-J](#) [BS-05-A1BJ018](#) [MY-2032-25-R](#) [BH-AA-B1AJ011](#) [MY-WJTP-01-J](#) [MY-1220-03-K](#) [BS-12-A1AJ017-F](#) [MY-AA-10](#) [BS-12-A3AA003](#)