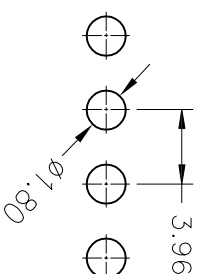
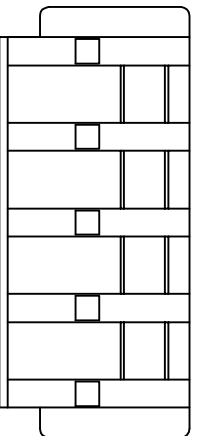
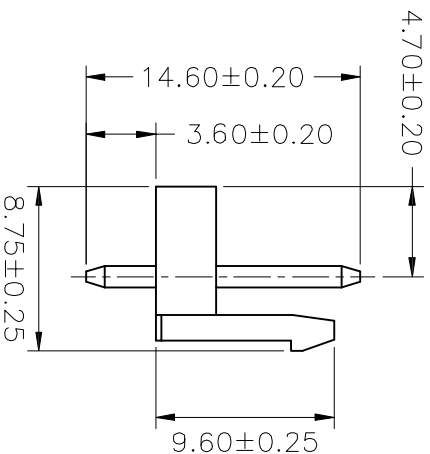
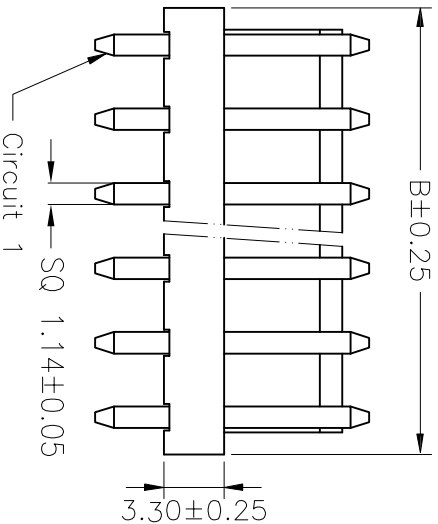
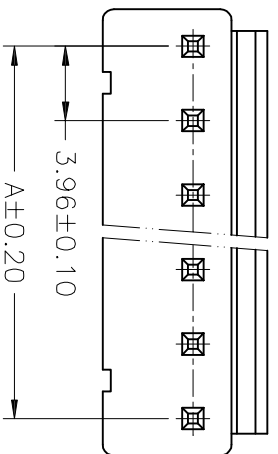
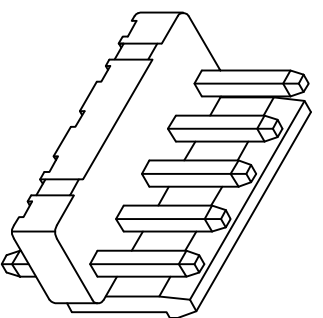


REV	LOCALS	DESCRIPTION	DRAW	DATE
A0	NEW	PERLIMINARY	Andy	2017.03.29
A1		UPDATED	LIU	2019.04.02
A2		UPDATED	Andy	2022.11.09

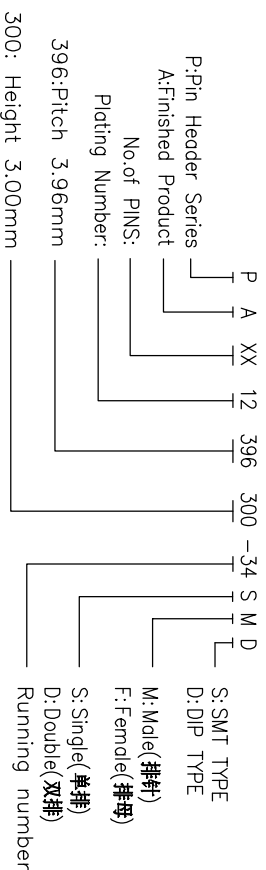


RECOMMEND P.C.B LAYOUT
PCB TOLERANCE: ± 0.05 (TOP VIEW)

- NOTES:
- Material: Housing: PA 66, Colour, White, UL94V-0
 - Terminal: Brass.
 - Finish: 1. Terminal: Plated Tin
 - Specification:
 - 3.1 Current Rating : 7A AC/DC
 - 3.2 Current Voltage: 250V
 - 3.3 Contact resistance: $10m\Omega$ Max.
 - 3.4 Insulation Resistance: $1000M\Omega$ MIN.
 - 3.5 Dielectric withstanding voltage: 1500V AC for one minute.
 - 3.6 Operating Temperature: $-25^{\circ}C \sim +85^{\circ}C$;



Ordering Information



Part No.	Dimension(mm)	A	B
15	PA1512396300-34SMD	55.44	59.40
14	PA1412396300-34SMD	51.48	55.44
13	PA1312396300-34SMD	47.52	51.48
12	PA1212396300-34SMD	43.56	47.52
11	PA1112396300-34SMD	39.60	43.56
10	PA1012396300-34SMD	35.64	39.60
9	PA0912396300-34SMD	31.68	35.64
8	PA0812396300-34SMD	27.72	31.68
7	PA0712396300-34SMD	23.76	27.72
6	PA0612396300-34SMD	19.80	23.76
5	PA0512396300-34SMD	15.84	19.80
4	PA0412396300-34SMD	11.88	15.84
3	PA0312396300-34SMD	7.92	11.88
2	PA0212396300-34SMD	3.96	7.92

MEASURE POINT:

QUADRANT POINT
TANGENCY POINT
INTERSECTION POINT



UNLESS OTHERWISE SPECIFIED, TOLERANCE:

X ± 0.25
XX ± 0.20
XXX ± 0.15
ANGULAR $\pm 5'$



TITLE: 3.96Pitch 直针座

DRAWN	Andy	DATE	2017.03.29
CHECKED		DATE	
APPROVED		DATE	
PART No.	PAXX12396300-34SMD	REV:	A2
DRAWING No.		SCALE:	1:1
		SIZE:	A4
		SHEET:	1/1
		UNIT:	mm

X-ON Electronics

Largest Supplier of Electrical and Electronic Components

Click to view similar products for [Headers & Wire Housings](#) category:

Click to view products by [D-CHAIN](#) manufacturer:

Other Similar products are found below :

[0015917161](#) [0022155065](#) [57102-F02-18ULF](#) [58102-G61-06LF](#) [582553-1](#) [01.001.5753.1](#) [0050291907](#) [02.125.8002.8](#) [609-3404](#) [61062-3](#)
[CSU011177004](#) [622-0430](#) [622-3653LF](#) [63453-116](#) [636-1030](#) [636-1427](#) [636-3427](#) [636-4007](#) [641938-9](#) [65495-038](#) [65692-001LF](#) [65781-018](#)
[65781-047](#) [65817-010LF](#) [65817-015LF](#) [67095-007LF](#) [67601157](#) [68631-112](#) [699319-000](#) [70.362.1628.0](#) [70-4210](#) [70-4226B](#) [70-4853B](#) [707-](#)
[5028](#) [71.350.2428.0](#) [733-134](#) [733-162](#) [760-3052](#) [MHR-64-VUAL](#) [80.063.4001.1](#) [800-90-001-10-001000](#) [801-43-002-10-013000](#)
[801-43-006-10-002000](#) [803-43-024-10-001000](#) [803-93-012-10-001000](#) [8-1437020-4](#) [819-22-004-30-001101](#) [820-22-006-30-001101](#)
[820-22-008-30-001101](#) [821-22-002-10-001101](#)