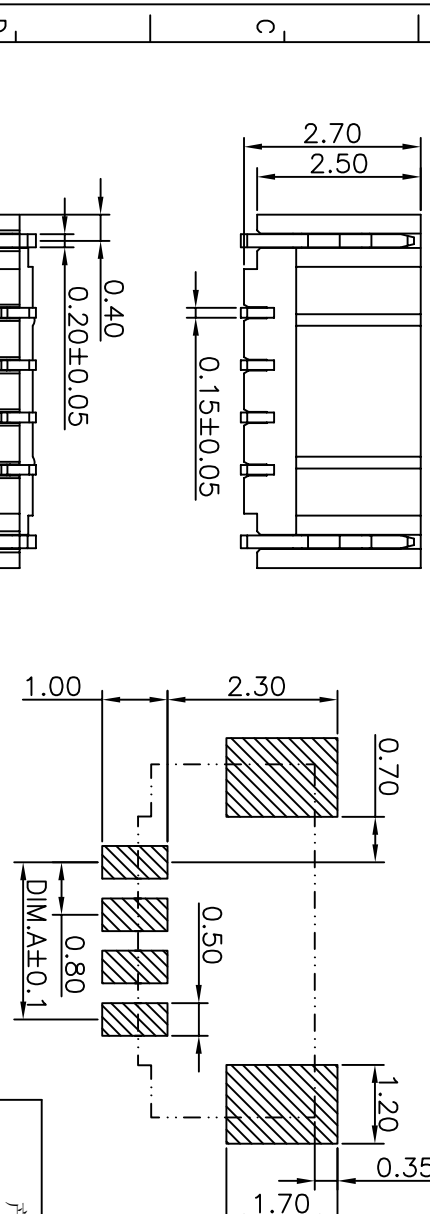
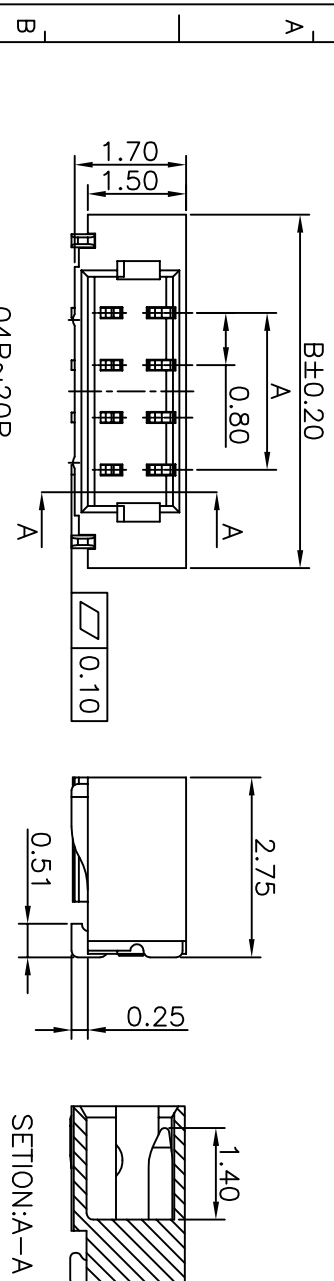


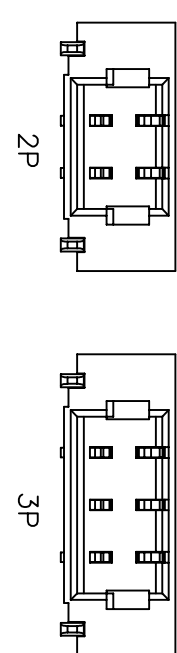
REV	LOCAS	DESCRIPTION	DRAW	DATE
A0	NEW	PERLIMINARY	LONG	2017.12.19
A1		UPDATED	LIU	2019.10.22
A2		UPDATED	LIU	2020.07.01
A3		变更料号	LIU	2022.05.27

**SPECIFICATIONS**

Current Rating: 0.5A AC,DC  
Voltage Rating: 30V AC,DC  
Temperature Range: -25°C ~ +85°C  
Contact Resistance: 20mΩ Max.  
Insulation Resistance: 100MΩ Min.  
Withstanding Voltage: 200V AC/minute  
Pin Material: Phosphor Bronze/Gold Flash  
Solder Tabs: Phosphor Bronze/Gold Flash  
Material:  
Wafer: LCP,UL94V-0  
Color: Natural(Beige)、Black



**PCB Layout**



产品描述	产品料号	Dimensions	
		A	B
Pitch: 0.8mm, Wafer H: 1.70mm 单排, 卧式贴片	PAXX12080170-75-XXSMS	0.80	3.80
Pitch: 0.8mm, Wafer H: 2.70mm 单排, 立式贴片	PAXX12080270-113SMS	1.60	4.60
	PA0312080170-75-XXSMS	2.40	5.40
	PA0412080170-75-XXSMS	3.20	6.20
	PA0612080170-75-XXSMS	4.00	7.00
	PA0812080170-75-XXSMS	5.60	8.60
	PA1012080170-75-XXSMS	7.20	10.20
	PA1412080170-75-XXSMS	10.40	13.40
	PA2012080170-75-XXSMS	15.20	18.20

**Ordering Information**

P: Pin Header Series  
A: Finished Product  
No. of PINS:  
Plating Number:  
080: Pitch 0.80mm  
170: Height 1.70mm  
Running number

S: SMT TYPE  
D: DIP TYPE  
M: Male (排针)  
F: Female (排母)  
S: Single (单排)  
D: Double (双排)

XX: Colour  
01: Nature (米色)  
02: Black (黑色)



Dongguan D-CHAIN Precision Components Co., Ltd

**MEASURE POINT:**  
**QUADRANT POINT** (Q)  
**TANGENCY POINT** (T)  
**INTERSECTION POINT** (P)

**UNLESS OTHERWISE SPECIFIED, TOLERANCE:**  
X: ±0.20  
XX: ±0.15  
XXX: ±0.10  
ANGULAR: ±5°

DRAWN	LONG	DATE	2017.12.19	TITLE:
CHECKED		DATE		Pitch: 0.8mm Wafer H: 1.70mm 单排, 卧式贴片
APPROVED		DATE		
PART No.	PAXX12080170-75-XXSMS	REV:	A3	SCALE: 1:1
DRAWING No.		SIZE:	A4	SHEET: 1/1

1 2 3 4 5 6 7

## X-ON Electronics

Largest Supplier of Electrical and Electronic Components

*Click to view similar products for [Headers & Wire Housings](#) category:*

*Click to view products by [D-CHAIN](#) manufacturer:*

Other Similar products are found below :

[0015917161](#) [0022155065](#) [57102-F02-18ULF](#) [58102-G61-06LF](#) [582553-1](#) [01.001.5753.1](#) [0050291907](#) [02.125.8002.8](#) [609-3404](#) [61062-3](#)  
[CSU011177004](#) [622-0430](#) [622-3653LF](#) [63453-116](#) [636-1030](#) [636-1427](#) [636-3427](#) [636-4007](#) [641938-9](#) [65495-038](#) [65692-001LF](#) [65781-018](#)  
[65781-047](#) [65817-010LF](#) [65817-015LF](#) [67095-007LF](#) [67601157](#) [68631-112](#) [699319-000](#) [70.362.1628.0](#) [70-4210](#) [70-4226B](#) [70-4853B](#) [707-](#)  
[5028](#) [71.350.2428.0](#) [733-134](#) [733-162](#) [760-3052](#) [MHR-64-VUAL](#) [80.063.4001.1](#) [800-90-001-10-001000](#) [801-43-002-10-013000](#)  
[801-43-006-10-002000](#) [803-43-024-10-001000](#) [803-93-012-10-001000](#) [8-1437020-4](#) [819-22-004-30-001101](#) [820-22-006-30-001101](#)  
[820-22-008-30-001101](#) [821-22-002-10-001101](#)