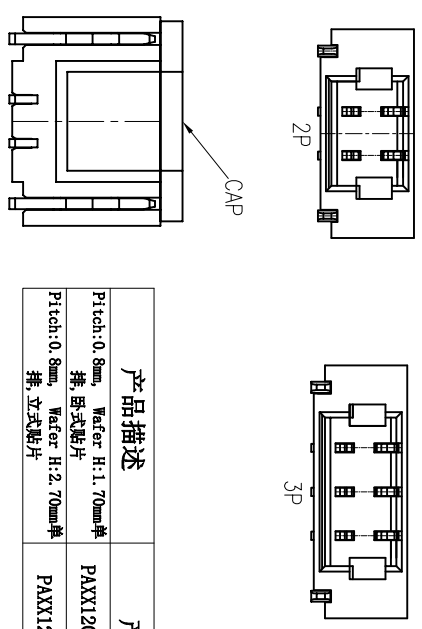
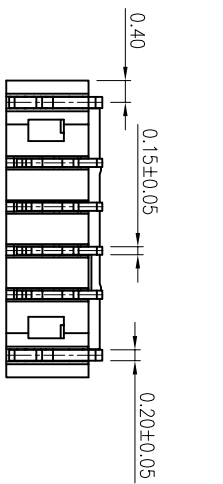
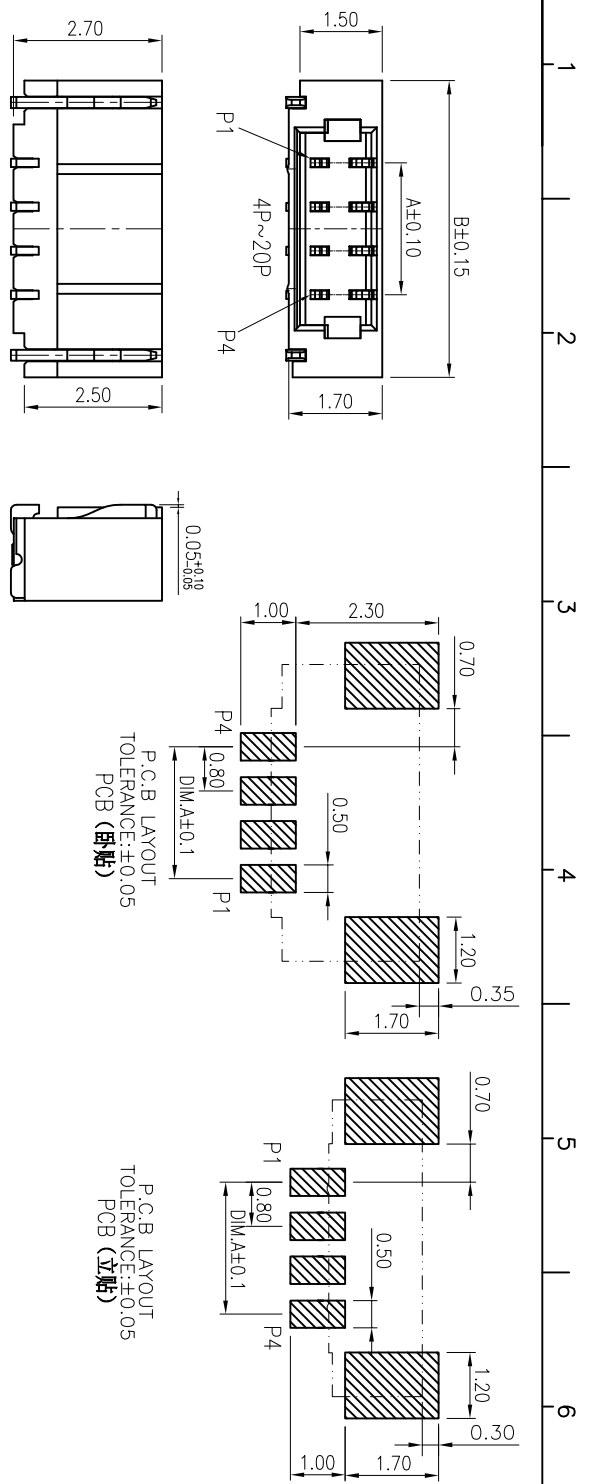


REV	LOOKS	DESCRIPTION	DRWN	DATE
A0	NEW	PERLIMINARY	Long	2018.06.16
A1		updated	LUU	2019.06.15
A2		updated	LUU	2020.07.01
A3		updated	Andy	2022.07.21

SPECIFICATIONS

Current Rating: 0.5A
Voltage Rating: 30V
Temperature Range: -25°C ~ +85°C
Contact Resistance: 20mΩ Max.
Insulation Resistance: 100MΩ Min.
Withstanding Voltage: 200V AC/minute
Terminal: Phosphor Bronze, Plated Au
Nail: Phosphor Bronze, Plated Au
Housing: LCP, UL94V-0, Color: Natural
Cap: Nylon 6T, UL94V-0, Color: Natural



产品描述	产品料号
Pitch: 0.8mm, Water H: 1.70mm单排, 卧式贴片	PAXX12080170-75-XXSMS
Pitch: 0.8mm, Water H: 2.70mm单排, 立式贴片	PAXX12080270-113SMS

No. of	DIM A	DIM B	No. of	DIM A	DIM B
1P	—	—	11P	8.00	11.00
02P	0.80	3.80	12P	8.80	11.80
03P	1.60	4.60	13P	9.60	12.60
04P	2.40	5.40	14P	10.40	13.40
05P	3.20	6.20	15P	11.20	14.20
06P	4.00	7.00	16P	12.00	15.00
07P	4.80	7.80	17P	12.80	15.80
08P	5.60	8.60	18P	13.60	16.60
09P	6.40	9.40	19P	14.40	17.40
10P	7.20	10.20	20P	15.20	18.20

Ordering Information

P: Pin Header Series
A: Finished Product
No. of PINS
080: Pitch 0.80mm
P A XX 12 080 270-113 S M S

立贴产品示意图

S: SMT TYPE
D: DIP TYPE
M: Mole(排针)
F: Femle(排母)
S: Single(单排)
D: Double(双排)
Running number
270: Height 2.70mm



DONG GUAN D-CHAIN TECHNOLOGY CO., LTD

MEASURE POINT:
QUADRANT POINT
TANGENCY POINT
INTERSECTION POINT

UNLESS OTHERWISE SPECIFIED, TOLERANCE:
X ±0.25
XX ±0.15
XXX ±0.15
ANGULAR ±5°

DRAMA LU DATE 2019.06.15
CHECKED DATE
APPROVED DATE
PART No. PAXX12080270-113SMS
DRAWING No. SIZE: A4 SHEET: 1/1

TITLE: Pitch: 0.8mm Water H: 2.70mm单排, 立式贴片

SCALE: 1:1
UNIT: mm

UNIT: mm

UNIT: mm

X-ON Electronics

Largest Supplier of Electrical and Electronic Components

Click to view similar products for [Headers & Wire Housings](#) category:

Click to view products by [D-CHAIN](#) manufacturer:

Other Similar products are found below :

[0015917161](#) [0022155065](#) [57102-F02-18ULF](#) [58102-G61-06LF](#) [582553-1](#) [01.001.5753.1](#) [0050291907](#) [02.125.8002.8](#) [609-3404](#) [61062-3](#)
[CSU011177004](#) [622-0430](#) [622-3653LF](#) [63453-116](#) [636-1030](#) [636-1427](#) [636-3427](#) [636-4007](#) [641938-9](#) [65495-038](#) [65692-001LF](#) [65781-018](#)
[65781-047](#) [65817-010LF](#) [65817-015LF](#) [67095-007LF](#) [67601157](#) [68631-112](#) [699319-000](#) [70.362.1628.0](#) [70-4210](#) [70-4226B](#) [70-4853B](#) [707-](#)
[5028](#) [71.350.2428.0](#) [733-134](#) [733-162](#) [760-3052](#) [MHR-64-VUAL](#) [80.063.4001.1](#) [800-90-001-10-001000](#) [801-43-002-10-013000](#)
[801-43-006-10-002000](#) [803-43-024-10-001000](#) [803-93-012-10-001000](#) [8-1437020-4](#) [819-22-004-30-001101](#) [820-22-006-30-001101](#)
[820-22-008-30-001101](#) [821-22-002-10-001101](#)