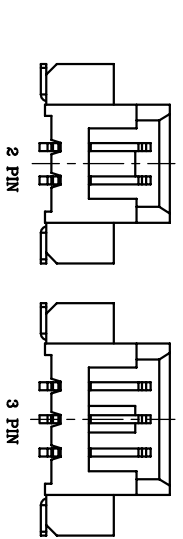
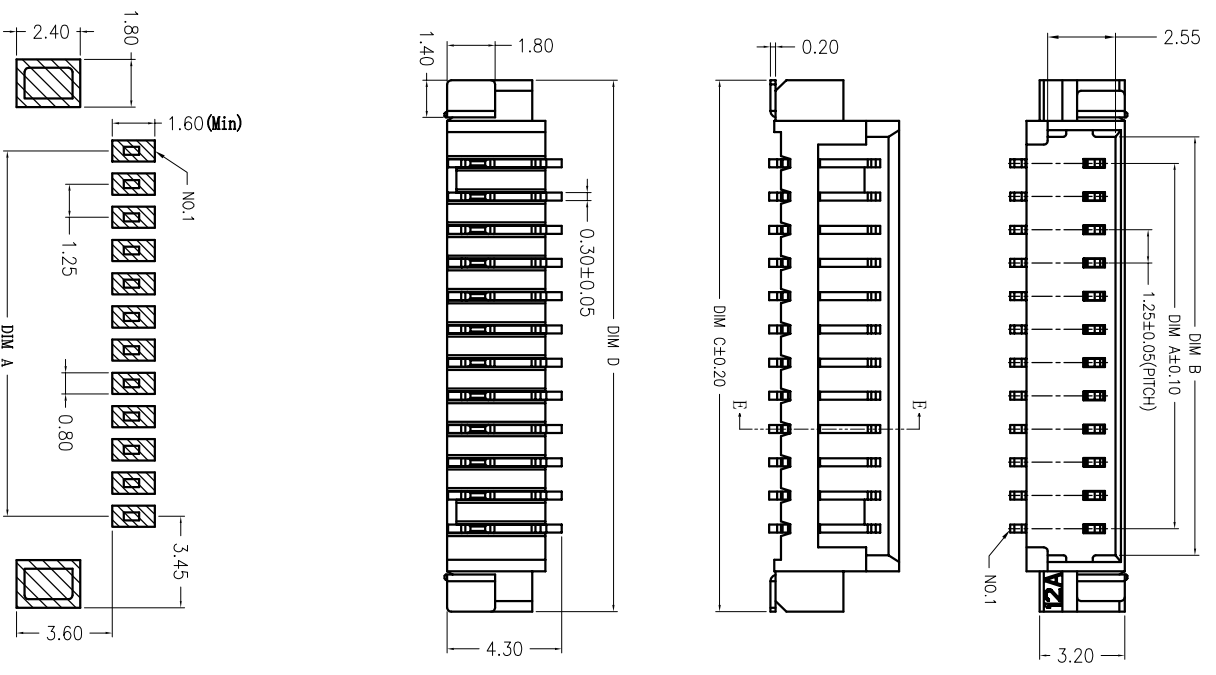


REV	LOOKS	DESCRIPTION	DRAW	DATE
AO	NEW	PERLIMINARY	Andy	2022.09.22

- NOTES:
- Material:
    - Housing/Cap: LCP.
    - Terminal/Noil: Brass.
  - Finish: Terminal/Noil: Plated Tin.
  - Specification:
    - Current Rating: 1A
    - Voltage Rating: 100V
    - Insulation Resistance: 100MΩ MIN.
    - Dielectric withstanding voltage: 500V AC for one minute.
    - Contact resistance: 40m Max.
    - Operating Temperature: -25°C~+85°C;



Ordering Information  
 P A XX 12 125 470 -334-XX S M S

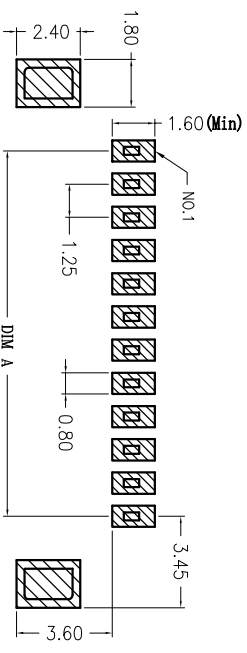
P-Pin Header Series  
 A: Finished Product  
 No. of PINS:  
 Plating Number:  
 125: Pitch 1.25mm  
 470: Height 4.70mm  
 Running number

Ordering Information  
 P A XX 12 125 470 -334-XX S M S

L: S: SMT TYPE  
 D: DIP TYPE  
 M: Male  
 F: Female  
 S: Single  
 D: Double  
 XX: Colour  
 01: nature (本色)  
 02: Black (黑色)  
 03: Blue (蓝色)

CKT	DimA	DimB	DimC	DimD
2	1.25	3.25	7.50	7.50
3	2.50	4.50	8.75	8.75
4	3.75	5.75	10.00	10.00
5	5.00	7.00	11.25	11.25
6	6.25	8.25	12.50	12.50
7	7.50	9.50	13.75	13.75
8	8.75	10.75	15.00	15.00
9	10.00	12.00	16.25	16.25
10	11.25	13.25	17.50	17.50
11	12.50	14.50	18.75	18.75
12	13.75	15.75	20.00	20.00
13	15.00	17.00	21.25	21.25
14	16.25	18.25	22.50	22.50
15	17.50	19.50	23.75	23.75
16	18.75	20.75	25.00	25.00
17	20.00	22.00	26.25	26.25
18	21.25	23.25	27.50	27.50
19	22.50	24.50	28.75	28.75
20	23.75	25.75	30.00	30.00

RECOMMENDED PCB LAYOUT  
 GENERAL TOLERANCE ±0.05



MEASURE POINT:  
 QUADRANT POINT  
 TANGENCY POINT  
 INTERSECTION POINT

UNLESS OTHERWISE SPECIFIED, TOLERANCE:  
 X ±0.25  
 XX ±0.20  
 XXX ±0.15  
 ANGULAR ±5°

**D-CHAIN**  
**DONG GUAN D-CHAIN TECHNOLOGY CO., LTD**

DRAWN	Andy	DATE	2022.06.22	TITLE:
CHECKED		DATE		Pitch 1.25 Wafer Row SMT
APPROVED		DATE		

PART No. PAXX12125470-334-XXSMS  
 REV: AO  
 SCALE: 1:1  
 UNIT: mm  
 DRAWING No. SIZE: A4 SHEET: 1/1

## X-ON Electronics

Largest Supplier of Electrical and Electronic Components

*Click to view similar products for [Headers & Wire Housings](#) category:*

*Click to view products by [D-CHAIN](#) manufacturer:*

Other Similar products are found below :

[0015917161](#) [0022155065](#) [57102-F02-18ULF](#) [58102-G61-06LF](#) [582553-1](#) [01.001.5753.1](#) [0050291907](#) [02.125.8002.8](#) [609-3404](#) [61062-3](#)  
[CSU011177004](#) [622-0430](#) [622-3653LF](#) [63453-116](#) [636-1030](#) [636-1427](#) [636-3427](#) [636-4007](#) [641938-9](#) [65495-038](#) [65692-001LF](#) [65781-018](#)  
[65781-047](#) [65817-010LF](#) [65817-015LF](#) [67095-007LF](#) [67601157](#) [68631-112](#) [699319-000](#) [70.362.1628.0](#) [70-4210](#) [70-4226B](#) [70-4853B](#) [707-](#)  
[5028](#) [71.350.2428.0](#) [733-134](#) [733-162](#) [760-3052](#) [MHR-64-VUAL](#) [80.063.4001.1](#) [800-90-001-10-001000](#) [801-43-002-10-013000](#)  
[801-43-006-10-002000](#) [803-43-024-10-001000](#) [803-93-012-10-001000](#) [8-1437020-4](#) [819-22-004-30-001101](#) [820-22-006-30-001101](#)  
[820-22-008-30-001101](#) [821-22-002-10-001101](#)