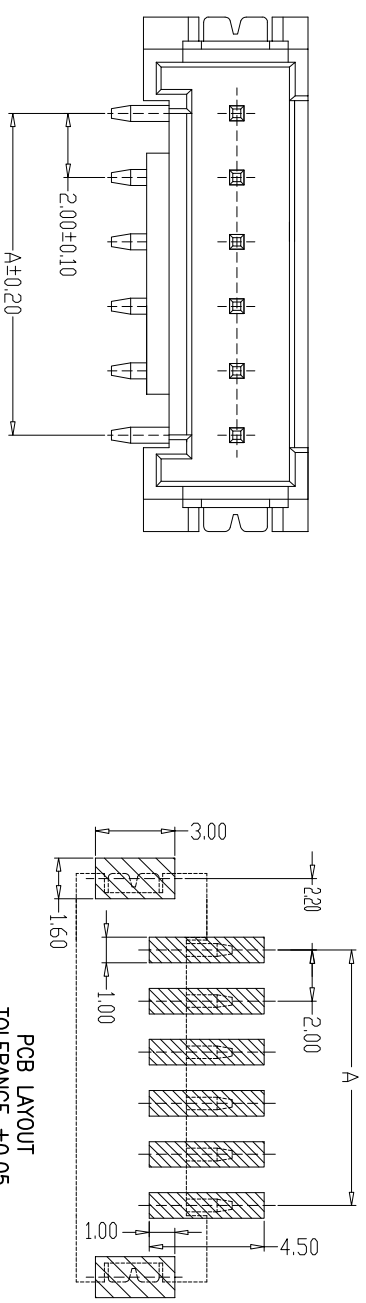
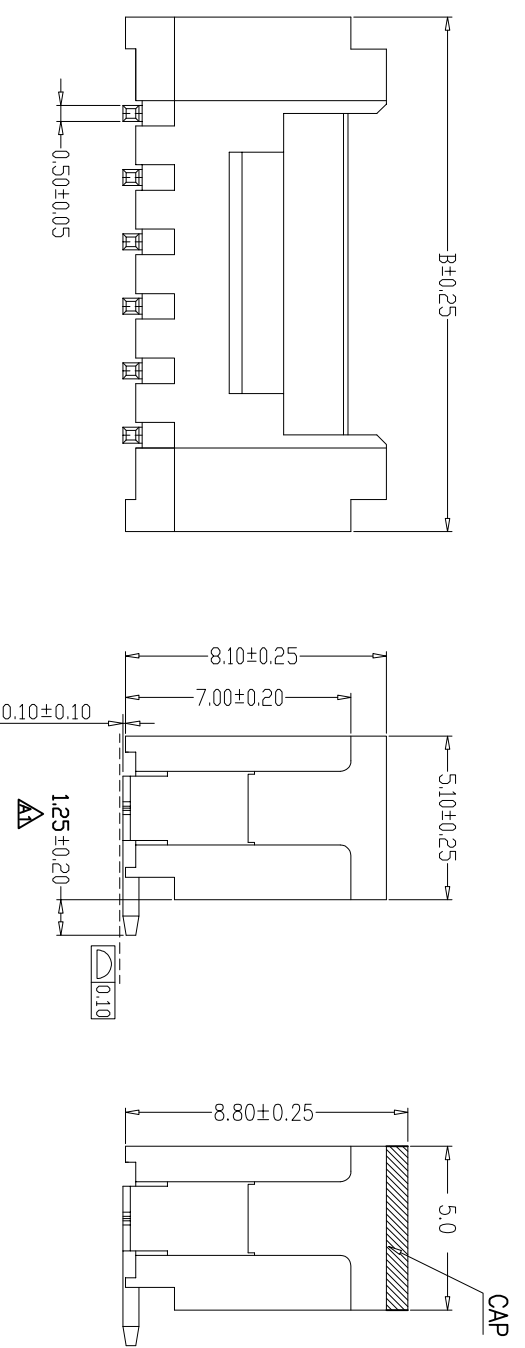


| REV | LOCALS | DESCRIPTION | DRAW | DATE       |
|-----|--------|-------------|------|------------|
| A0  | NEW    | PERLIMINARY | Long | 2018.05.26 |
| A1  | Δ      | UPDATED     | Andy | 2022.09.29 |

**SPECIFICATIONS**

- 1、Current Rating: 2A AC, DC
- 2、Voltage Rating: 250V AC, DC
- 3、Temperature Range: -25°C~+85°C
- 4、Contact Resistance: 20mΩ Max
- 5、Insulation Resistance: 1000MΩ Min
- 6、Withstanding Voltage: 800V AC/minute
- 7、Material: Wafer LCP, UL94V-0  
PIN Brass Tin-plated  
Solder Phosphoric bronze Tin-plated



| PIN Number | Dimension(mm) |       |
|------------|---------------|-------|
|            | A             | B     |
| 2P         | 2.00          | 8.00  |
| 3P         | 4.00          | 10.00 |
| 4P         | 6.00          | 12.00 |
| 5P         | 8.00          | 14.00 |
| 6P         | 10.00         | 16.00 |
| 7P         | 12.00         | 18.00 |
| 8P         | 14.00         | 20.00 |
| 9P         | 16.00         | 22.00 |
| 10P        | 18.00         | 24.00 |
| 11P        | 20.00         | 26.00 |
| 12P        | 22.00         | 28.00 |
| ...        | ...           | ...   |
| 20P        | 38.00         | 44.00 |

**Ordering Information**

P A XX 12 200 810 -106 S M S

P:Pin Header Series  
A:Finished Product  
No. of PINS:  
Plating Number:  
200:Pitch:2.00mm  
810:Height 8.10mm

S:SMT TYPE  
D:DIP TYPE  
M:Male(排针)  
F:Femle(排母)  
S:Single(单排)  
D:Double(双排)  
Running number

**MEASURE POINT:**  
 QUADRANT POINT (QP)  
 TANGENCY POINT (TP)  
 INTERSECTION POINT (IP)

**UNLESS OTHERWISE SPECIFIED, TOLERANCE:**  
 X ±0.25  
 X.X ±0.20  
 X.XX ±0.15  
 ANGULAR ±5°

**D-CHAIN**  
**DONG GUAN D-CHAIN TECHNOLOGY CO., LTD**

| DRAWN       | Long                | DATE  | 2018.05.26 | TITLE:                   |
|-------------|---------------------|-------|------------|--------------------------|
| CHECKED     |                     | DATE  |            | 2.00Pitch Wafer SMT TYPE |
| APPROVED    |                     | DATE  |            |                          |
| PART No.    | PAXX12200810-106SMS | REV:  | A1         | SCALE: 1:1               |
| DRAWING No. |                     | SIZE: | A4         | SHEET: 1/1               |

## X-ON Electronics

Largest Supplier of Electrical and Electronic Components

*Click to view similar products for [Headers & Wire Housings](#) category:*

*Click to view products by [D-CHAIN](#) manufacturer:*

Other Similar products are found below :

[0015917161](#) [0022155065](#) [57102-F02-18ULF](#) [58102-G61-06LF](#) [582553-1](#) [01.001.5753.1](#) [0050291907](#) [02.125.8002.8](#) [609-3404](#) [61062-3](#)  
[CSU011177004](#) [622-0430](#) [622-3653LF](#) [63453-116](#) [636-1030](#) [636-1427](#) [636-3427](#) [636-4007](#) [641938-9](#) [65495-038](#) [65692-001LF](#) [65781-018](#)  
[65781-047](#) [65817-010LF](#) [65817-015LF](#) [67095-007LF](#) [67601157](#) [68631-112](#) [699319-000](#) [70.362.1628.0](#) [70-4210](#) [70-4226B](#) [70-4853B](#) [707-](#)  
[5028](#) [71.350.2428.0](#) [733-134](#) [733-162](#) [760-3052](#) [MHR-64-VUAL](#) [80.063.4001.1](#) [800-90-001-10-001000](#) [801-43-002-10-013000](#)  
[801-43-006-10-002000](#) [803-43-024-10-001000](#) [803-93-012-10-001000](#) [8-1437020-4](#) [819-22-004-30-001101](#) [820-22-006-30-001101](#)  
[820-22-008-30-001101](#) [821-22-002-10-001101](#)