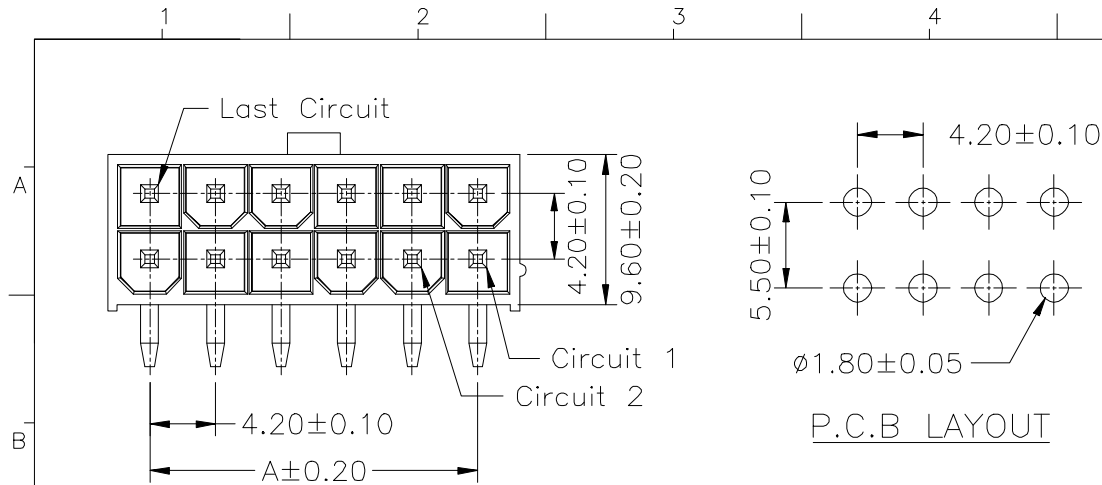
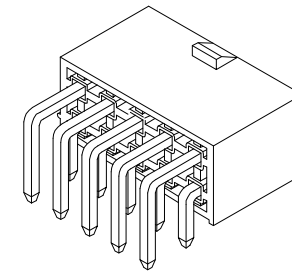
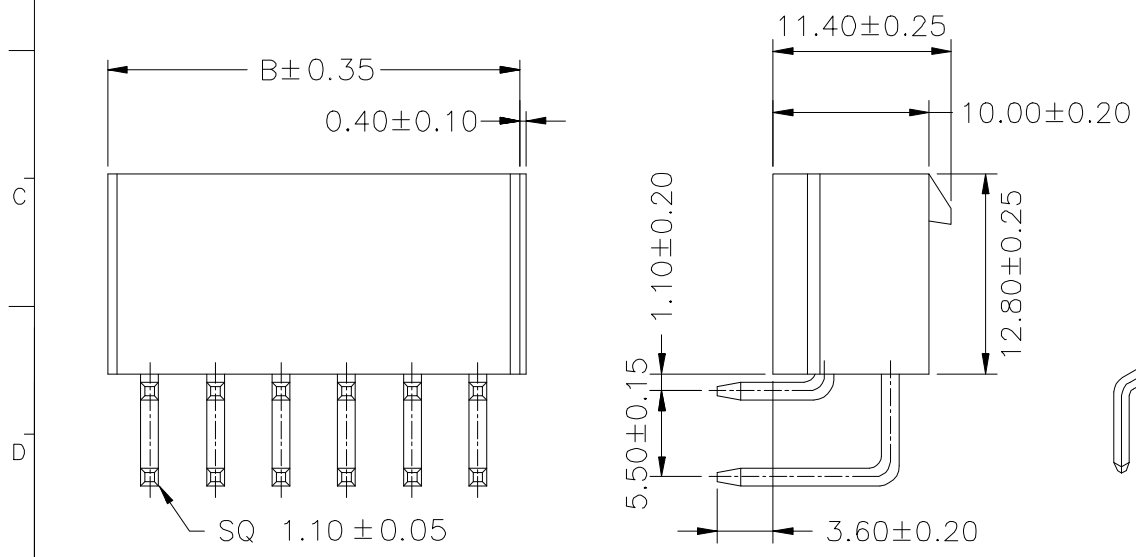


REV	LOCAS	DESCRIPTION	DRAW	DATE
AO	NEW	PERLIMINARY	Long	2018.08.27



SPECIFICATIONS

Current Rating: 9A AC,DC
Voltage Rating: 250V AC,DC
Temperature Range: -25°C ~ +85°C
Contact Resistance: 10mΩ Max
Insulation Resistance: 1000MΩ Min
Withstanding Voltage: 1500V AC/minute
Pin Material: Brass/Tin-plated
Material: Nylon 66,UL94V-2
Color: Natural(Translucent)



24	PA2412420100-128DMD	46.20	51.60
22	PA2212420100-128DMD	42.00	47.40
20	PA2012420100-128DMD	37.80	43.20
18	PA1812420100-128DMD	33.60	39.00
16	PA1612420100-128DMD	29.40	34.80
14	PA1412420100-128DMD	25.20	30.60
12	PA1212420100-128DMD	21.00	26.40
10	PA1012420100-128DMD	16.80	22.20
8	PA0812420100-128DMD	12.60	18.00
6	PA0612420100-128DMD	8.40	13.80
4	PA0412420100-128DMD	4.20	9.60
2	PA0212420100-128DMD	/	5.40
Circuits	180'	A	B
	Part No.	Dimension(mm)	

Ordering Information

P A XX 12 420 100-128 D M D

P: Pin Header Series
A: Finished Product
No. of PINS:
Plating Number:
420Pitch 4.20mm
100: Height 10.0mm

S: SMT TYPE
D: DIP TYPE
M: Male(排针)
F: Female(排母)
S: Single(单排)
D: Double(双排)
Running number

MEASURE POINT: QUADRANT POINT (QP) TANGENCY POINT (TP) INTERSECTION POINT (IP)	DONG GUAN D-CHAIN TECHNOLOGY CO.,LTD	
UNLESS OTHERWISE SPECIFIED, TOLERANCE: X. ±0.25 X.x ±0.20 X.xx ±0.15 ANGULAR ±3'	DRAWN Long DATE 2018.08.27 CHECKED DATE APPROVED DATE	TITLE: PITCH4.20mm H10.0mm DIP TYPE REV: AO SCALE: 1:1 UNIT: mm SIZE: A4 SHEET: 1/1
PART No. PAXX12420100-128DMD	DRAWING No.	

X-ON Electronics

Largest Supplier of Electrical and Electronic Components

Click to view similar products for [Headers & Wire Housings](#) category:

Click to view products by [D-CHAIN](#) manufacturer:

Other Similar products are found below :

[0015917161](#) [0022155065](#) [57102-F02-18ULF](#) [58102-G61-06LF](#) [582553-1](#) [01.001.5753.1](#) [0050291907](#) [02.125.8002.8](#) [609-3404](#) [61062-3](#)
[CSU011177004](#) [622-0430](#) [622-3653LF](#) [63453-116](#) [636-1030](#) [636-1427](#) [636-3427](#) [636-4007](#) [641938-9](#) [65495-038](#) [65692-001LF](#) [65781-018](#)
[65781-047](#) [65817-010LF](#) [65817-015LF](#) [67095-007LF](#) [67601157](#) [68631-112](#) [699319-000](#) [70.362.1628.0](#) [70-4210](#) [70-4226B](#) [70-4853B](#) [707-](#)
[5028](#) [71.350.2428.0](#) [733-134](#) [733-162](#) [760-3052](#) [MHR-64-VUAL](#) [80.063.4001.1](#) [800-90-001-10-001000](#) [801-43-002-10-013000](#)
[801-43-006-10-002000](#) [803-43-024-10-001000](#) [803-93-012-10-001000](#) [8-1437020-4](#) [819-22-004-30-001101](#) [820-22-006-30-001101](#)
[820-22-008-30-001101](#) [821-22-002-10-001101](#)