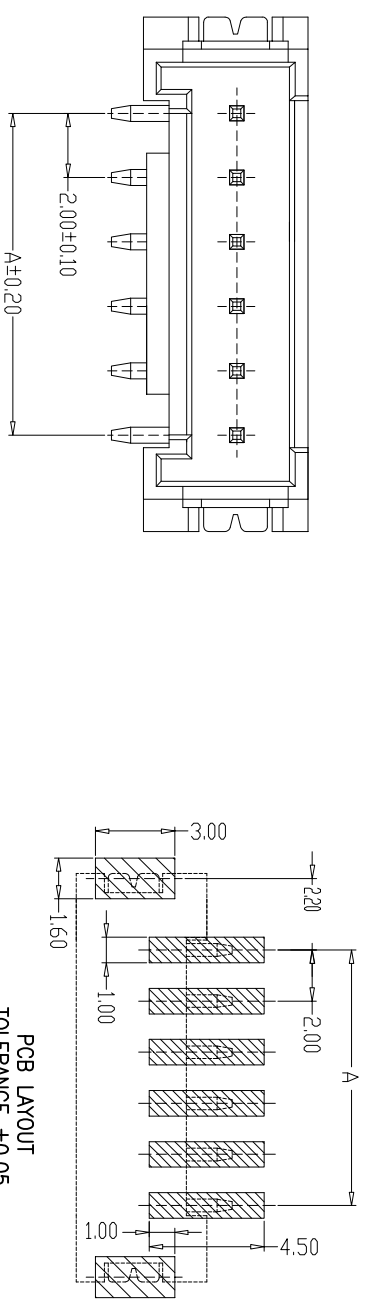
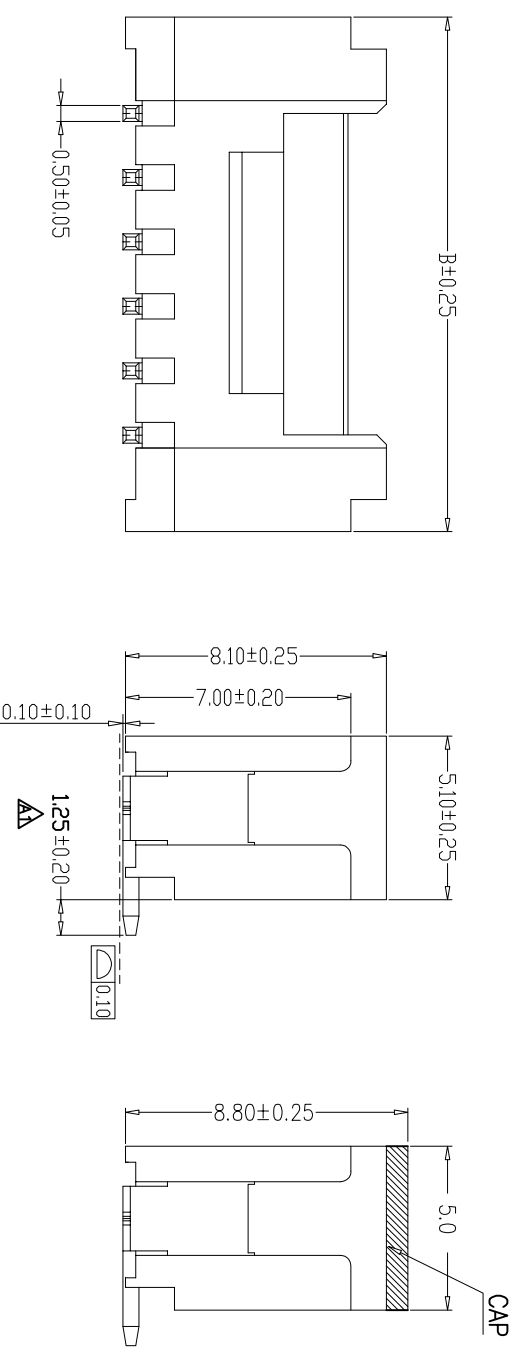


| REV | LOCALS | DESCRIPTION | DRAW | DATE |
|-----|--------|-------------|------|------------|
| A0 | NEW | PERLIMINARY | Long | 2018.05.26 |
| A1 | Δ | UPDATED | Andy | 2022.09.29 |

SPECIFICATIONS

- 1、Current Rating: 2A AC, DC
- 2、Voltage Rating: 250V AC, DC
- 3、Temperature Range: -25°C~+85°C
- 4、Contact Resistance: 20mΩ Max
- 5、Insulation Resistance: 1000MΩ Min
- 6、Withstanding Voltage: 800V AC/minute
- 7、Material: Wafer LCP, UL94V-0
PIN Brass Tin-plated
Solder Phosphoric bronze Tin-plated



| PIN Number | Dimension(mm) | |
|------------|---------------|-------|
| | A | B |
| 2P | 2.00 | 8.00 |
| 3P | 4.00 | 10.00 |
| 4P | 6.00 | 12.00 |
| 5P | 8.00 | 14.00 |
| 6P | 10.00 | 16.00 |
| 7P | 12.00 | 18.00 |
| 8P | 14.00 | 20.00 |
| 9P | 16.00 | 22.00 |
| 10P | 18.00 | 24.00 |
| 11P | 20.00 | 26.00 |
| 12P | 22.00 | 28.00 |
| ... | ... | ... |
| 20P | 38.00 | 44.00 |

Ordering Information

P A XX 12 200 810 -106 S M S

P:Pin Header Series
A:Finished Product
No. of PINS:
Plating Number:
200:Pitch:2.00mm
810:Height 8.10mm

S:SMT TYPE
D:DIP TYPE
M:Male(排针)
F:Femle(排母)
S:Single(单排)
D:Double(双排)
Running number

MEASURE POINT:
 QUADRANT POINT (QP)
 TANGENCY POINT (TP)
 INTERSECTION POINT (IP)

UNLESS OTHERWISE SPECIFIED, TOLERANCE:
 X ±0.25
 X.X ±0.20
 X.XX ±0.15
 ANGULAR ±5°

D-CHAIN
DONG GUAN D-CHAIN TECHNOLOGY CO., LTD

| DRAWN | Long | DATE | 2018.05.26 | TITLE: |
|-------------|---------------------|-------|------------|--------------------------|
| CHECKED | | DATE | | 2.00Pitch Wafer SMT TYPE |
| APPROVED | | DATE | | |
| PART No. | PAXX12200810-106SMS | REV: | A1 | SCALE: 1:1 |
| DRAWING No. | | SIZE: | A4 | SHEET: 1/1 |

X-ON Electronics

Largest Supplier of Electrical and Electronic Components

Click to view similar products for [Headers & Wire Housings](#) category:

Click to view products by [D-CHAIN](#) manufacturer:

Other Similar products are found below :

[0015917161](#) [0022155065](#) [57102-F02-18ULF](#) [58102-G61-06LF](#) [582553-1](#) [01.001.5753.1](#) [0050291907](#) [02.125.8002.8](#) [609-3404](#) [61062-3](#)
[CSU011177004](#) [622-0430](#) [622-3653LF](#) [63453-116](#) [636-1030](#) [636-1427](#) [636-3427](#) [636-4007](#) [641938-9](#) [65495-038](#) [65692-001LF](#) [65781-018](#)
[65781-047](#) [65817-010LF](#) [65817-015LF](#) [67095-007LF](#) [67601157](#) [68631-112](#) [699319-000](#) [70.362.1628.0](#) [70-4210](#) [70-4226B](#) [70-4853B](#) [707-](#)
[5028](#) [71.350.2428.0](#) [733-134](#) [733-162](#) [760-3052](#) [MHR-64-VUAL](#) [80.063.4001.1](#) [800-90-001-10-001000](#) [801-43-002-10-013000](#)
[801-43-006-10-002000](#) [803-43-024-10-001000](#) [803-93-012-10-001000](#) [8-1437020-4](#) [819-22-004-30-001101](#) [820-22-006-30-001101](#)
[820-22-008-30-001101](#) [821-22-002-10-001101](#)